

The Finishing Touch



Compässö™

Trim Systems Design Guide

Offices

Schools

Retail

Entertainment

COMPASSO™ Trim Systems provide an elegant finishing touch that dresses up acoustical ceiling assemblies integrating lighting with eye-catching design elements. These unique ceiling accents combine dramatic styling and practicality to make a striking statement in retail spaces, contemporary offices, entertainment and gaming establishments, and education environments.



Design Takes Shape

User's Guide

COMPASSO family of suspension trims creates a clean streamlined edge for floating acoustical ceiling assemblies and allows a smooth visual transition among multiple ceiling islands within a space.

	Page		Page
Choose Your System	4	COMPASSO This steel suspension trim with a durable baked-on polyester finish can accommodate all CGC ceiling systems and has been the industry choice since its inception and introduction to the market more than a decade ago. In addition to its economy, COMPASSO is a great value to accent any ceiling. It is a particularly good choice for open-cell grid ceilings because of its un-obtrusive splices and grid clips. COMPASSO is available in both engineered curved shapes as well as quick ship bulk cartons.	8 COMPASSO Slim Extruded from highly recycled aluminum, COMPASSO Slim transforms any CGC Ceiling system into a sleek, plane terminated at the perimeter with a broad horizontal picture frame with mitered corners.
How		Design It Pre-engineered, any colour, any shape, designed and packaged, ready to assemble Quick Ship, two colours	
Specify Your System	14	Design Your System	
For More Information		Website cgcinc.com + usgdesignstudio.com	

Compásso Suspension Trim Systems

COMPASSO Trim Systems complement standard grid and tile by providing a finished edge whether it's curved or straight. The trimming concept allows for the creation of ceiling islands or fascias. It also lends visual excitement to any space, especially retail spaces, contemporary office environments, entertainment and gaming establishments, and education environments. Read on for details on how to design and specify COMPASSO Trim Systems in your next project.

Design Flexibility

COMPASSO Trim Systems are available in different trim heights and profiles custom manufactured to your design specifications. From the utility of COMPASSO to the elegance of COMPASSO Slim, there is a trim system to meet your needs.

Functional Style

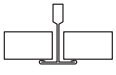
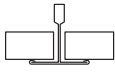
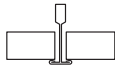
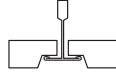
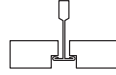
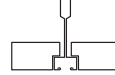
COMPASSO Trim Systems finish standard ceiling grid, panels, lighting, and air diffusers to create crisp edge conditions and unique floating islands. You can also create graceful, flowing arcs, curves, and circles. Use with CGC suspension systems and panels. Combine straight and curved pieces to form a ceiling perimeter of almost any size or shape you can imagine. Squares, triangles, rectangles, circles, ellipses. No problem.

Available Colours

COMPASSO Trim Systems are available in standard and custom colours and can be painted 360° when used with the GRIDWARE Suspension System to create open-cell ceilings. For help choosing a custom colour, the Sherwin-Williams Colour Answers Selector is a good reference.
www.sherwin-williams.com

System Options Overview

System Options	Heights						Quick Ship	Engineered	Advantage Colours*
	2" (2 1/4")	4"	6"	8"	10"	12"			
COMPASSO	● (2 1/4")	●	●	●	●	●	●	●	●
COMPASSO Slim			●				●		

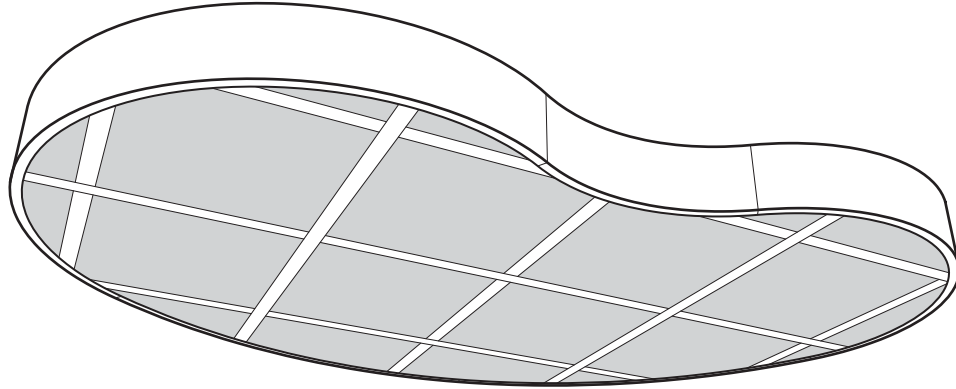
Grid Profile Options	DX®/DXL™	DXW™	CENTRICITEE™ DXT	DX®/DXL™	CENTRICITEE™ DXLT	FINELINE®	DX®/DXL™ Concealed
							
COMPASSO	●	●	●	●	●	●	●
COMPASSO Slim	●	●	●	●	●	●	

Recommended Applications	CELEBRATION®	True™ Wood Linear	True Wood AR	PARALINE PLUS™	Drywall	Open Cell GridWARE™
	COMPASSO	●**			●	●
COMPASSO Slim	●**					

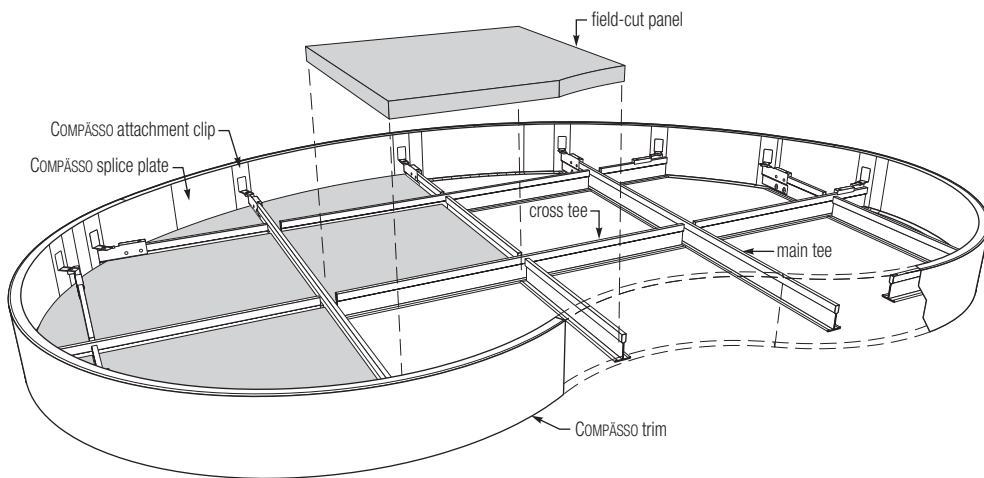
**CELEBRATION panels cannot be used with 2 1/4" COMPASSO.

System Overview

View from below

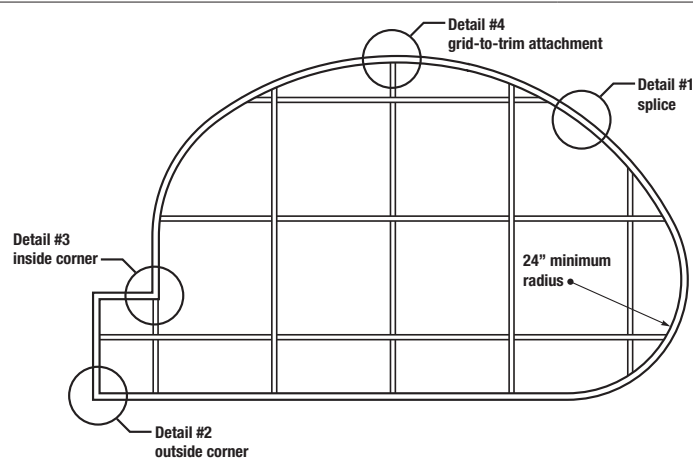


View from above



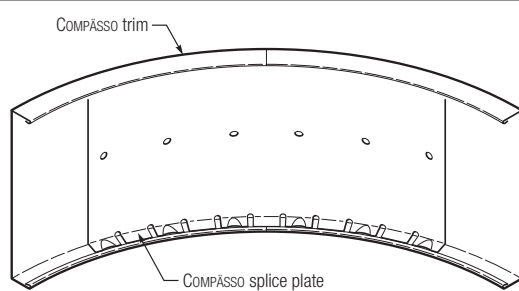
Layout Example

Custom-shaped Ceiling Island

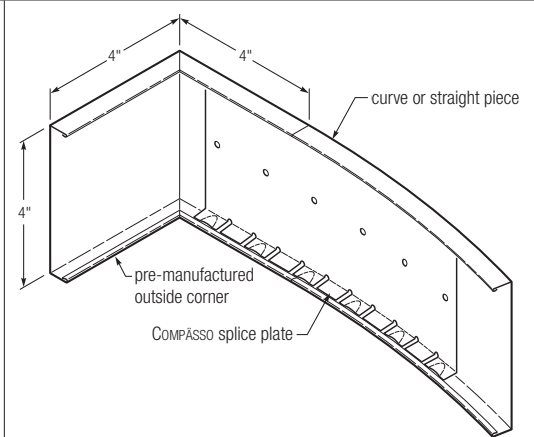


Details

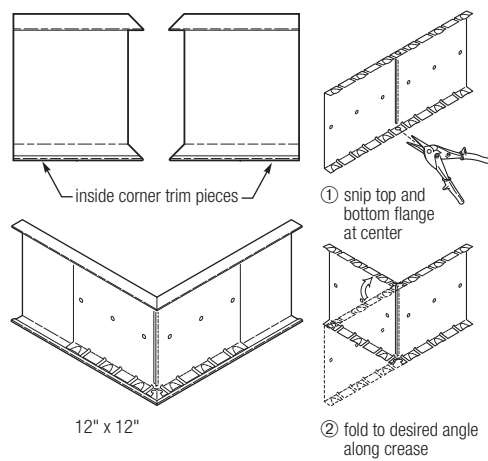
Detail No. 1—Curved Splice



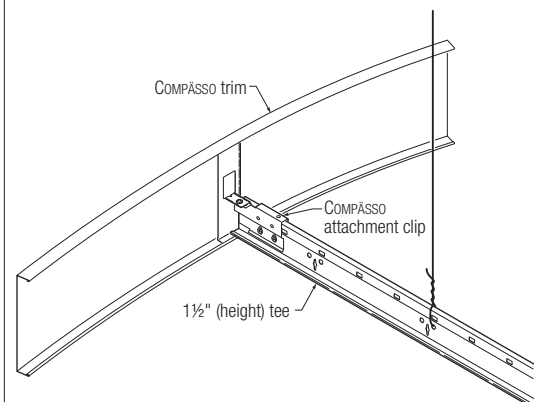
Detail No. 2—Corner to Straight/Curved Splice



Detail No. 3—Inside Corner



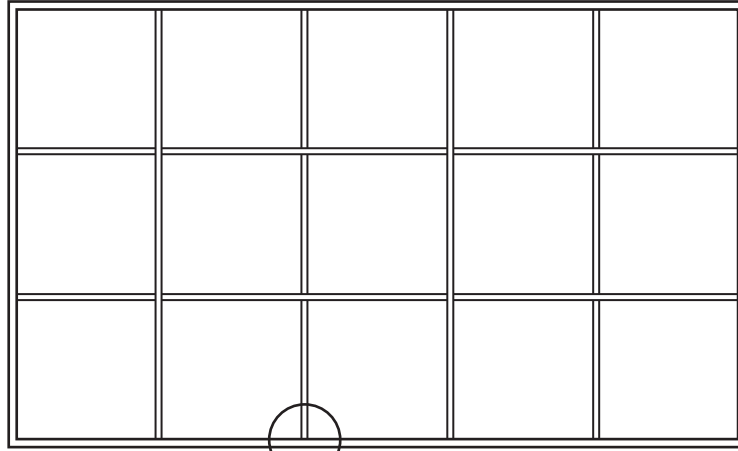
Detail No. 4—Grid to Trim Attachment



Applications

Layout Example

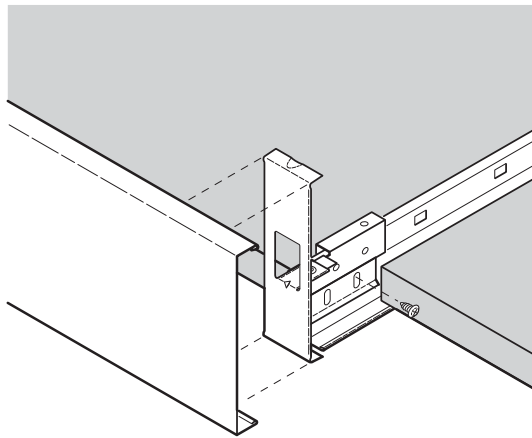
On-Module Ceiling Island



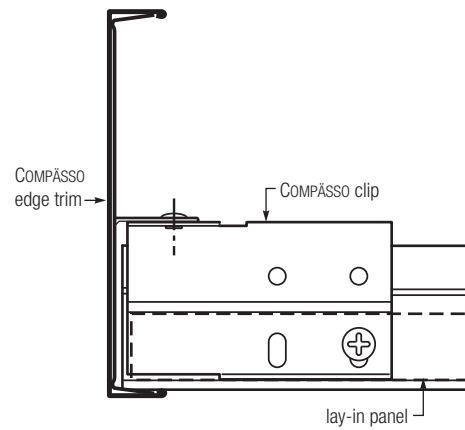
Detail #1 — Detail #1A

Details

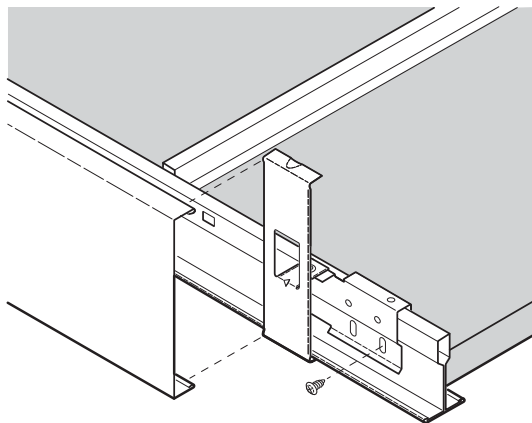
Detail No. 1—Edge Detail Capping Suspension Tee



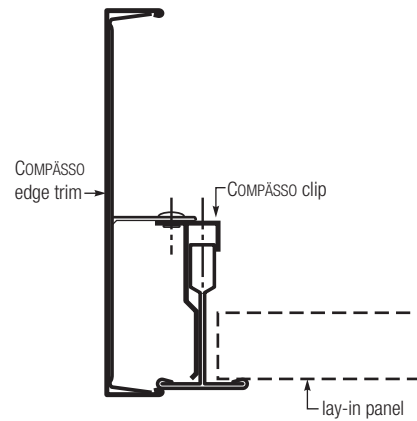
Detail No. 1—Section



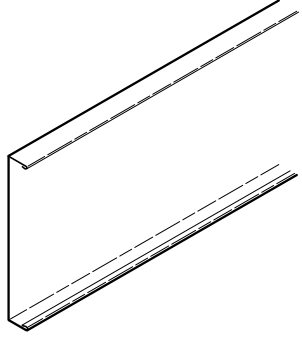
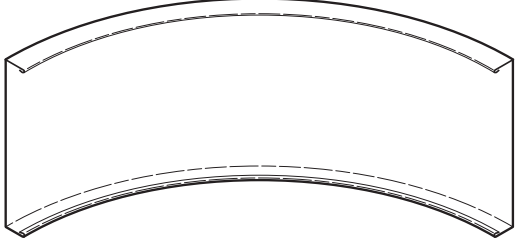
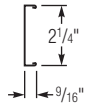
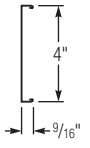
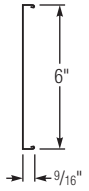
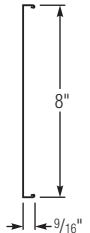
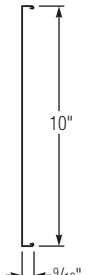
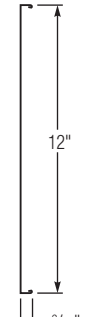
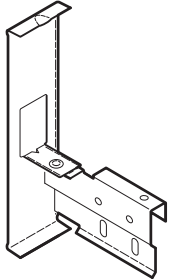
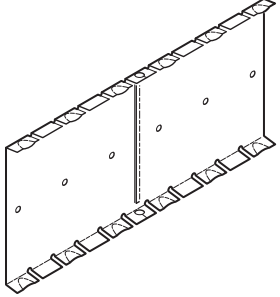
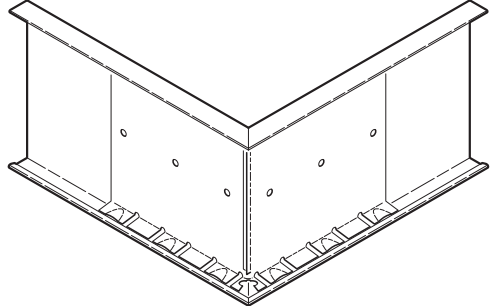
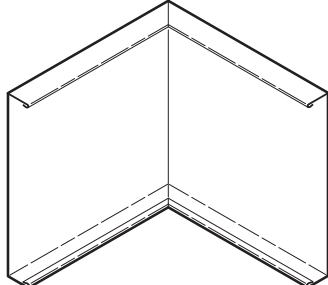
Detail No. 1A—Edge Detail Parallel to Suspension Tee



Detail No. 1A—Section

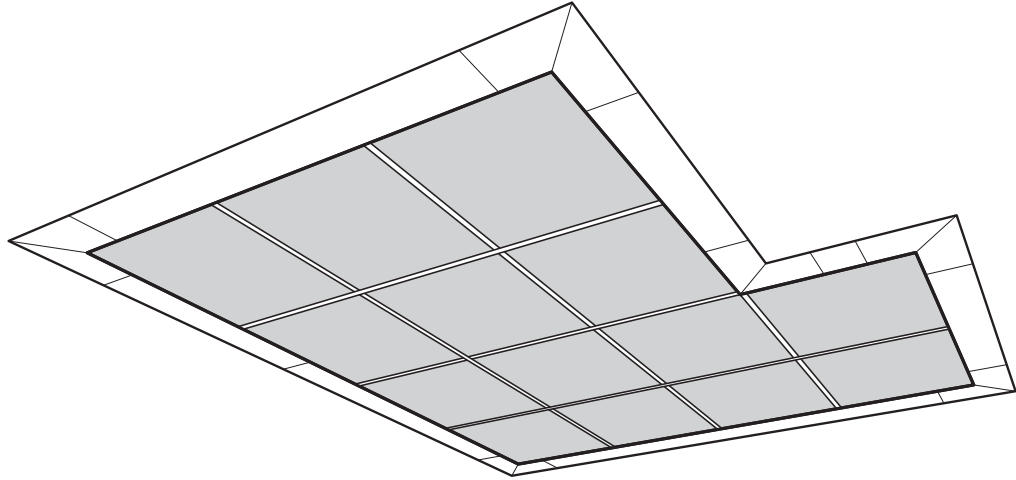


Components

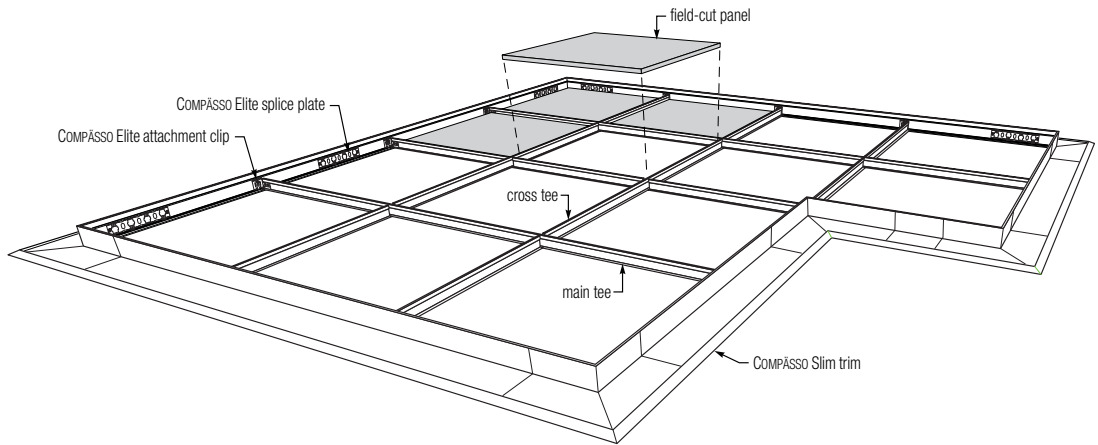
Trim Construction	Straight 		Curved 			
Trim Sizes	Section Views					
	2-1/4" 	4" 	6" 	8" 	10" 	12" 
Accessories	Attachment Clip 			Splice 		
	Inside Corner 			Outside Corner 		

System Overview

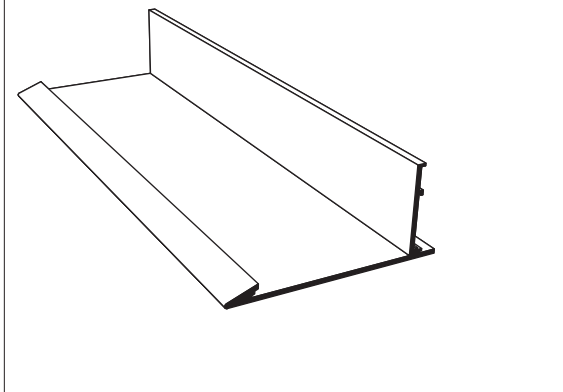
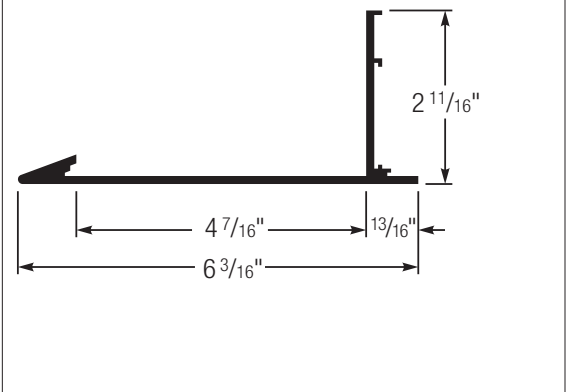
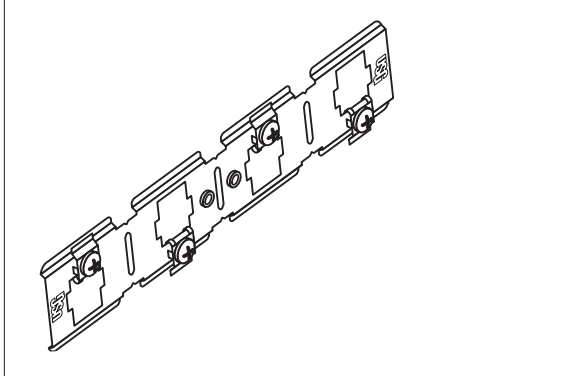
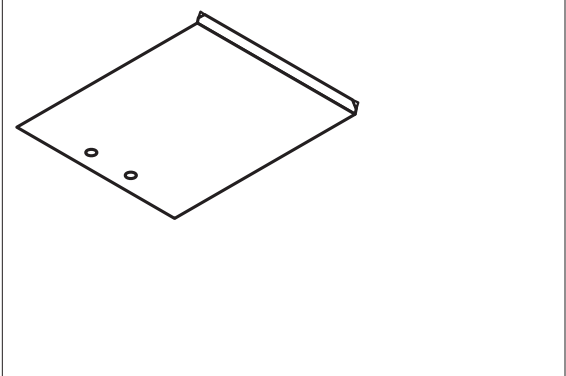
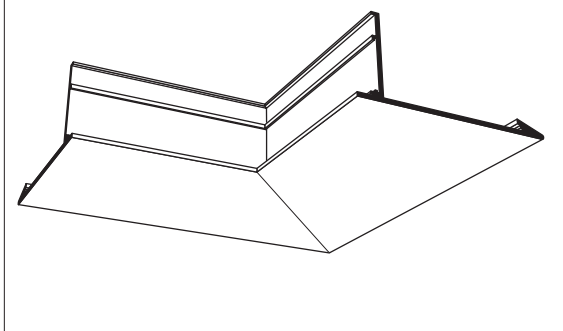
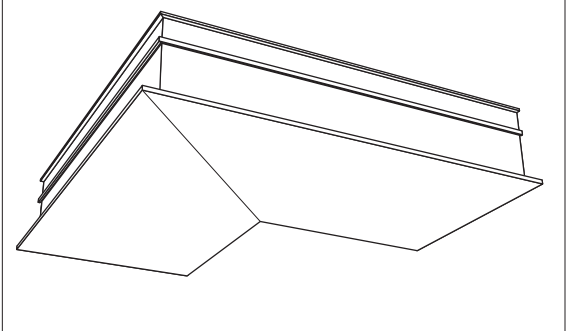
View from Below



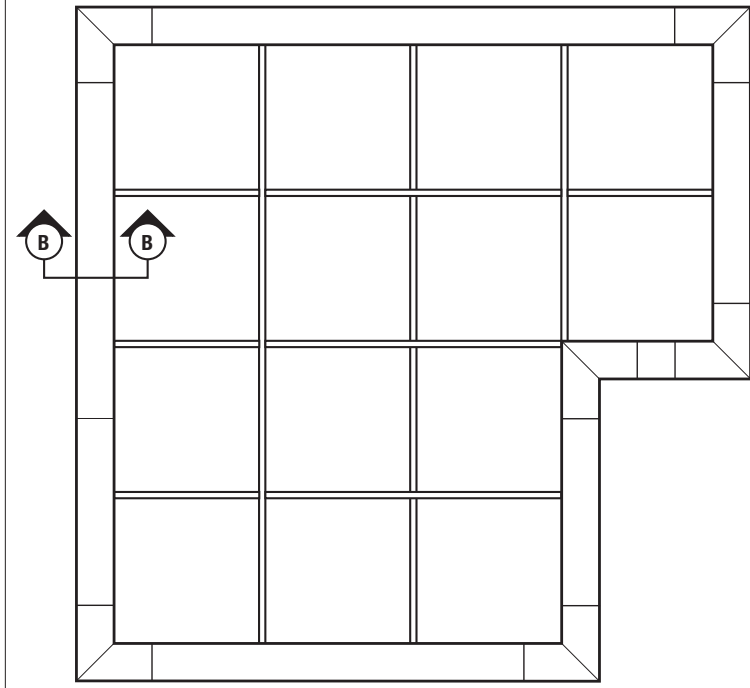
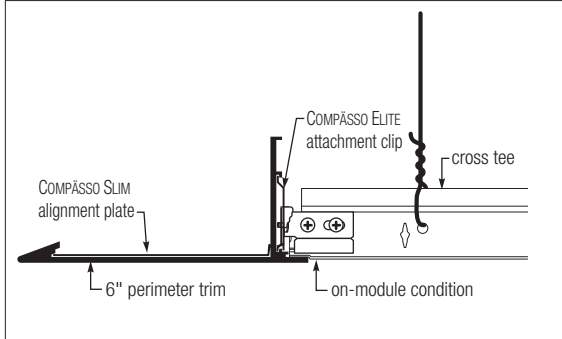
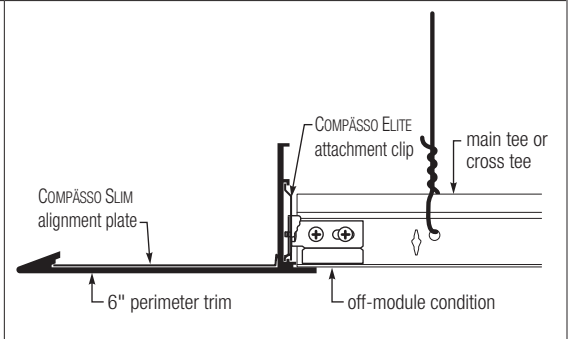
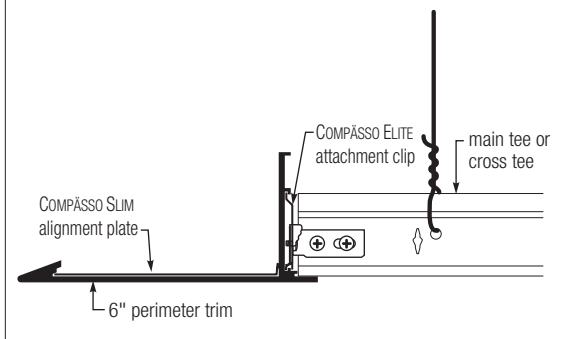
View from Above



Components

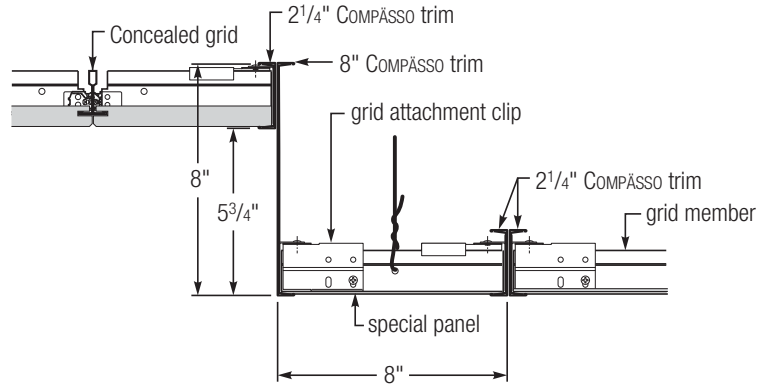
Trim Construction	Perspective 	Section 
Accessories	Splice 	Alignment Plate 
	Inside Corner 	Outside Corner 

Applications

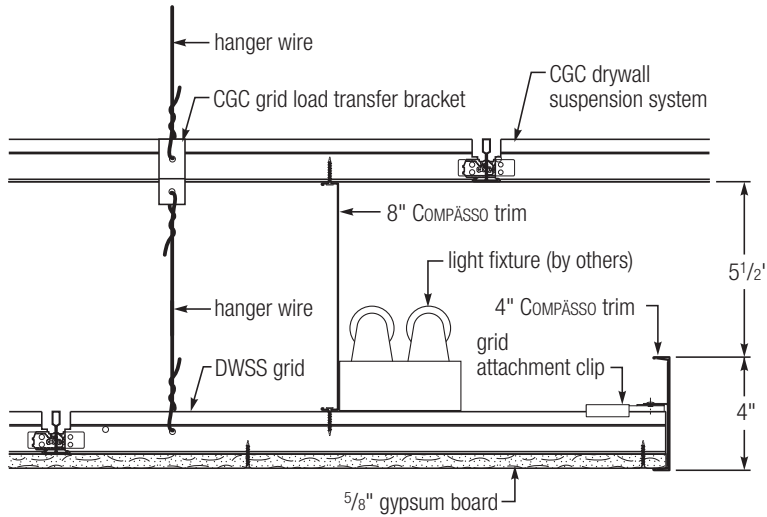
<p>Layout Example</p>	<p>Custom-shaped Ceiling Island</p> 	
<p>Details</p>	<p>Detail B-B— Full Module at Perimeter</p> 	<p>Detail B-B— Cut Module at Perimeter</p> 
	<p>Detail B-B— Finline Grid</p> 	

Additional Application Details

Elevation Transition



Light Cove with Reflector

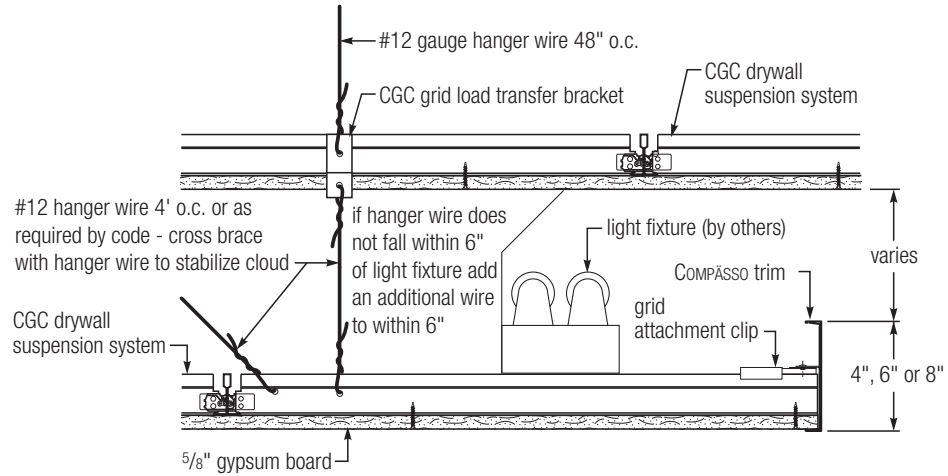


Note: Drywall solution only available with COMPASSO.

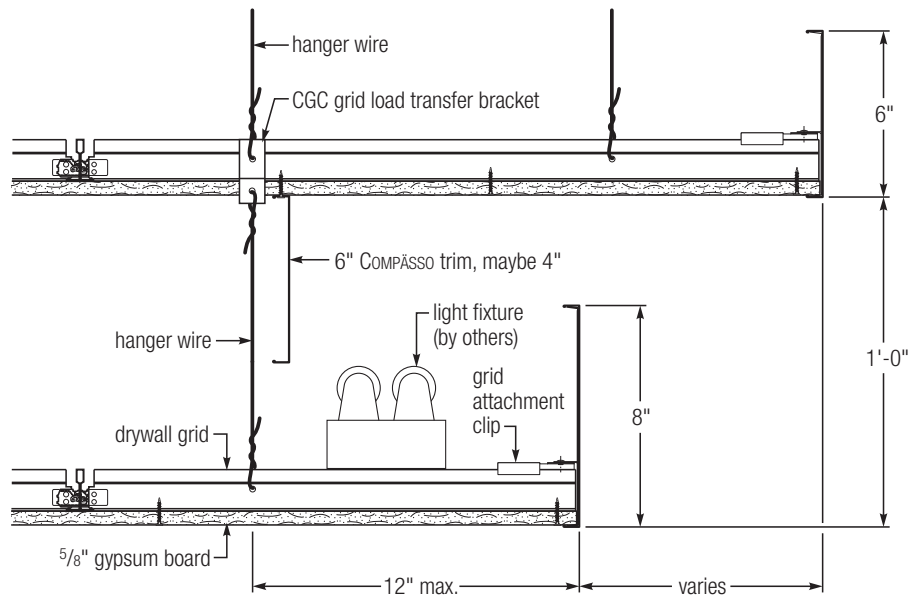
White colour recommended for better reflectance.

Additional Application Details

Light Cove



Light Cove with Closure

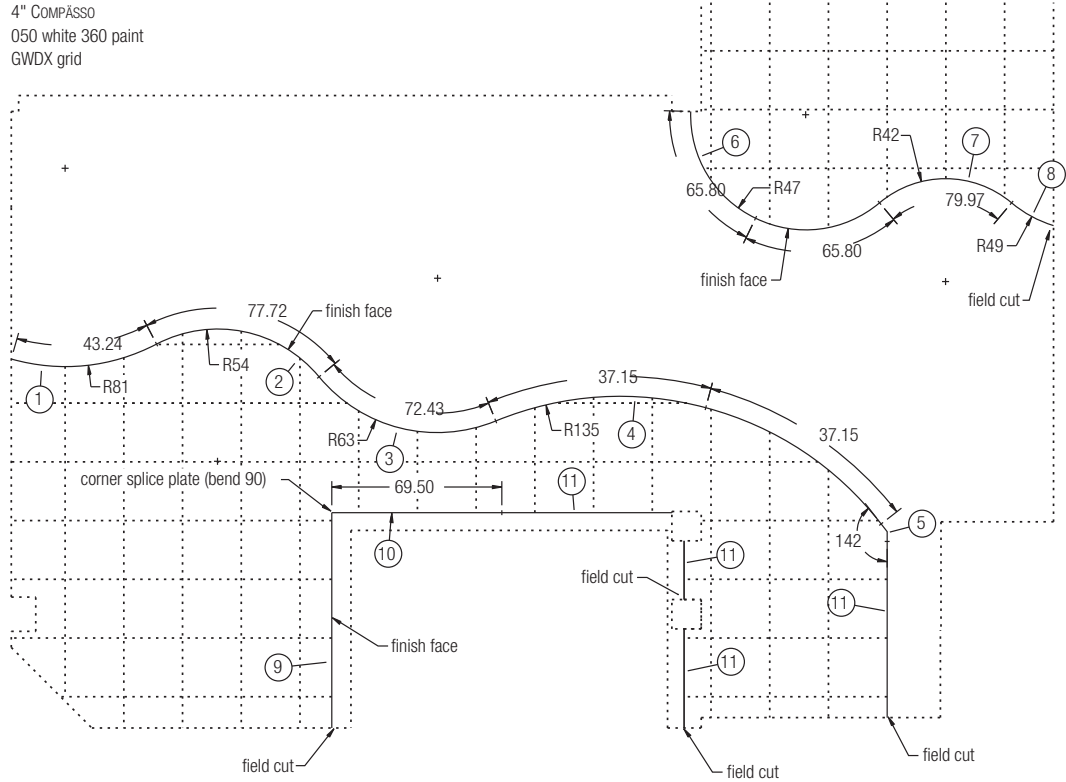


Note: Drywall solution only available with COMPASSO.

Typical Installation Shop Drawing

Typical Shop Drawing — Engineered COMPASSO

4" COMPASSO
050 white 360 paint
GWDX grid



Area 1 COMPASSO Plan
scale 1/4" = 1'-0"
74.2 lin. ft.
36.08% straight COMPASSO

Berry College Krannert SE0-0915
3-9-01 sheet 3 of 4

Application Guide

Architectural Specifications

Note to specifier: The following specification for the COMPASSO suspension trim system is a guide in the preparation of a project specification for an interior nonfire-rated trimmed ceiling island or fascia. Delete such items that are not related to the particular project. Where blank spaces occur, provide information incidental to the particular project for which the specification is prepared.

The International System of Units (Metric Units) is available on request.

Section 13 _____.

Part 1:
General

1.01
Description of Work

- A.** Related work specified elsewhere:
 - 1.** Insulation: Section _____.
 - 2.** Mechanical equipment: Section _____.
 - 3.** Electrical: Section _____.
 - 4.** Gypsum board systems: Section _____.
 - 5.** Acoustical ceilings: Section _____.
- B.** Work installed but furnished under other sections: _____.
- C.** Work furnished but installed under other sections: _____.

1.02
System Description

- A.** Edge trim system for suspended ceiling system, consisting of (2-1/4" x 9/16") (4" x 9/16") (6" x 9/16") (8" x 9/16") (10" x 9/16") (12" x 9/16") metal pans curved to inside and outside radii per drawing supplied by architect. Attachment to grid system is provided by a specially designed COMPASSO attachment clip, which snaps into and locks against hems of COMPASSO trim and is screw-attached to the bulb of the intersecting DOWN suspension system member. Independent sections of trim are joined together using the COMPASSO splice plate.

1.03
Quality Assurance

- A.** Subcontractor qualifications: Installer shall have not less than three years of successful experience in the installation of ceiling systems on projects with requirements similar to requirements specified.
- B.** Requirements of regulatory agencies: Codes and regulations of authorities having jurisdiction.
- C.** Source quality control:
 - 1.** Test reports: Manufacturer will provide test certification for minimum requirements as tested in accordance with applicable industry standards and/or to meet performance standards specified by various agencies.
 - 2.** Changes from system: System performance following any substitution of materials or change in assembly design must be certified by the manufacturer.

1.04
References

- A.** ASTM C635: Standard specifications for metal suspension systems for acoustical tile and lay-in panel ceilings.
- B.** ASTM C636: Recommended practice for installation of metal suspension systems for acoustical tile and lay-in panel ceilings.
- C.** CISCA Ceiling Systems Installation Handbook.

1.05
Submittals

- A.** Samples: Submit representative sample of colour and finish of all exposed materials.
- B.** Shop drawings:
 - 1.** Reflected ceiling plans: Indicate layout arrangement of ceiling design, dimensions and locations of related integrated lighting and air distribution components.
 - 2.** Installation drawings: Detail complete installation including all trim pieces, attachment clips, splice plates and corner pieces, installation of related lighting and air distribution components, access requirements, and sound absorption requirements.
 - 3.** Manufacturer's data: Submit manufacturer's catalogue cuts or standard drawings showing details of system with project conditions clearly identified and manufacturer's recommended installation instructions.
 - 4.** Maintenance materials: Submit one percent of amount of ceiling components installed.

	1.06 Delivery, Storage and Handling	<ul style="list-style-type: none"> A. Delivery of materials: Deliver materials in original, unopened packages clearly labeled with the manufacturer's name and identification numbers. B. Inspection: Promptly inspect delivered materials, file freight claims for damage during shipment, and order replacement material, as required. C. Storage: Store in manner that will prevent warpage, scratches or damage of any kind. D. Handling: Handle in such a manner as to ensure against racking, distortion or physical damage of any kind.
	1.07 Project Conditions	<ul style="list-style-type: none"> A. Existing conditions: (Include specific alteration work requirements for project.) B. Environmental requirements: Building shall be enclosed with windows and exterior doors in place and glazed, and roof watertight before installation of ceiling system and related ceiling components. Climactic condition range of 60 °F (15.56 °C) to 85 °F (29.44 °C); relative humidity not more than 70%. C. Coordination with other work: <ul style="list-style-type: none"> 1. Mechanical work: Ductwork above ceiling shall be complete, and permanent heating and cooling systems operating to climate conditions prior to installation of ceiling components. 2. Electrical work: Installation of conduit above ceiling shall be complete before installation of ceiling components. 3. Fire protection work: Fire protection lines and/or equipment occurring above ceiling shall be completed and tested before ceiling components are installed. D. Protection: Protect completed work above ceiling system from damage during installation of ceiling components.
Part 2: Products	2.01 Manufacturer	COMPASSO suspension trim for use with any standard DONN® suspension system as manufactured by CGC Inc., Mississauga, ON Canada
	2.02 Materials (Delete items not applicable)	<ul style="list-style-type: none"> A. 2-1/4" COMPASSO system <ul style="list-style-type: none"> 1. 2-1/4" COMPASSO trim: 2-1/4" wide face, 9/16" horizontal legs with hems formed for attachment to the COMPASSO mounting clip; commercial quality cold-rolled 24-gauge steel, factory finished in (baked enamel paint finish) () colour. 2. Splice plate: steel in finish to match trim pans; formed for snap-fit into 2-1/4" pan ends. 3. Attachment clips: hot-dipped galvanized steel in (galvanized finish) (finish to match pans) formed for snap-fit into 2-1/4" pan and attached to DONN (DX®) (DXW™) (CENTRICITEE™) (FINELINE®) (CGC Drywall Suspension System) suspension system members. 4. 90° corner trim pieces: to match COMPASSO trim. B. 4" COMPASSO system <ul style="list-style-type: none"> 1. 4" COMPASSO trim: 4" wide face, 9/16" horizontal legs with hems formed for attachment to the COMPASSO mounting clip; commercial quality cold-rolled 24-gauge steel, factory finished in (baked enamel paint finish) () colour. 2. Splice plate: steel in finish to match trim pans; formed for snap-fit into 4" pan ends. 3. Attachment clips: hot-dipped galvanized steel in (galvanized finish) (finish to match pans) formed for snap-fit into 4" pan and attached to DONN (DX) (DXW) (CENTRICITEE) (FINELINE) (CGC Drywall Suspension System) suspension system members. 4. 90° corner trim pieces: to match COMPASSO trim.

Application Guide

Architectural Specifications

- C. 6" COMPASSO system
 - 1. 6" COMPASSO trim: 6" wide face, 9/16" horizontal legs with hems formed for attachment to the COMPASSO mounting clip; commercial quality cold-rolled 24-gauge steel, factory finished in (baked enamel paint finish) () colour.
 - 2. Splice plate: steel in finish to match trim pans; formed for snap-fit into 6" pan ends.
 - 3. Attachment clips: hot-dipped galvanized steel in (galvanized finish) (finish to match pans) formed for snap-fit into 6" pan and attached to DONN (DX) (DXW) (CENTRICITEE) (FINELINE) (CGC Drywall Suspension System) suspension system members.
 - 4. 90° corner trim pieces: to match COMPASSO trim.
- D. 8" COMPASSO system
 - 1. 8" COMPASSO trim: 8" wide face, 9/16" horizontal legs with hems formed for attachment to the COMPASSO mounting clip; commercial quality cold-rolled 24-gauge steel, factory finished in (baked enamel paint finish) () colour.
 - 2. Splice plate: steel in finish to match trim pans; formed for snap-fit into 8" pan ends.
 - 3. Attachment clips: hot-dipped galvanized steel in (galvanized finish) (finish to match pans) formed for snap-fit into 8" pan and attached to DONN (DX) (DXW) (CENTRICITEE) (FINELINE) (CGC Drywall Suspension System) suspension system members.
 - 4. 90° corner trim pieces: to match COMPASSO trim.
- E. 10" COMPASSO system
 - 1. 10" COMPASSO trim: 10" wide face, 9/16" horizontal legs with hems formed for attachment to the COMPASSO mounting clip; commercial quality aluminum, factory finished in (baked enamel paint finish) () colour.
 - 2. Splice plate: steel in finish to match trim pans; formed for snap-fit into 10" pan ends.
 - 3. Attachment clips: hot-dipped galvanized steel in (galvanized finish) (finish to match pans) formed for snap-fit into 10" pan and attached to DONN (DX) (DXW) (CENTRICITEE) (FINELINE) (CGC Drywall Suspension System) suspension system members.
 - 4. 90° corner trim pieces: to match COMPASSO trim.
- F. 12" COMPASSO system
 - 1. 12" COMPASSO trim: 12" wide face, 9/16" horizontal legs with hems formed for attachment to the COMPASSO mounting clip; commercial quality aluminum, factory finished in (baked enamel paint finish) () colour.
 - 2. Splice plate: steel in finish to match trim pans; formed for snap-fit into 12" pan ends.
 - 3. Attachment clips: hot-dipped galvanized steel in (galvanized finish) (finish to match pans) formed for snap-fit into 12" pan and attached to DONN (DX) (DXW) (CENTRICITEE) (FINELINE) (CGC Drywall Suspension System) suspension system members.
 - 4. 90° corner trim pieces: to match COMPASSO trim.
- G. For specific project details and bill of materials see USG Interiors Drawing No. RTQ - _____ (provided by CGC Interiors sales representative).

2.03 Fabrication

- A. Trim pans: Edges formed to snap onto attachment clips and provide positive mechanical lock with no visible fasteners. Factory finished to match approved samples.
- B. Splice plates: Formed to snap into and provide positive lock between abutting pans with no visible fasteners. Factory finished to match trim pans.
- C. Mounting clips: Formed to snap into trim pans and provide positive mechanical lock with no visible fasteners while providing a variable angle, screw-fastened connection to suspension members which intersect the trim.

**Part 3:
Execution**

**3.01
Inspection**

- A. Examine areas to receive trim system for conditions which will adversely affect installation.
- B. Do not start work until unsatisfactory conditions are corrected.
- C. Work to be concealed: Verify work above support system is complete, tested, and installed in manner which will not affect layout and installation of ceiling system.
- D. Fire-rated assembly: Construction above ceiling system shall meet requirements as applicable to provide fire-resistance rating specified.

**3.02
Preparation**

- A. Field dimensions: Installer must verify actual field dimensions prior to installation.
- B. Renovation work: Installing contractor shall verify that existing ceiling structure is adequate to support additional COMPASSO ceiling suspension requirement.
- C. Coordination: Coordinate and schedule installation of ceiling system with work of other trades affected by this installation, with particular attention given to mechanical and electrical work required to be installed and operating before ceiling work can begin.

**3.03
Installation**

- A. Reference: Install in accordance with approved shop drawings and manufacturer's instructions. Follow architects' details for thermal and building expansion joint treatments.
- B. Hanger wires:
 - 1. Spacing: Space hanger wires maximum 48" o.c. along length of carrier system, attached directly to structure above.
 - 2. Limitation: Do not support hanger wires from mechanical and/or electrical equipment, piping, or other equipment occurring above ceiling.
 - 3. Provide additional fixture support as required in accordance with local building codes or other regulatory agencies.
- C. COMPASSO system: Install according to procedure provided by manufacturer and in accordance with approved shop drawings.
 - 1. Perimeter connection detail (recommended) (optional).
- D. Lighting components: Refer to Section 16 _____.
- E. Air distribution components: Refer to Section 15 _____.

**3.04
Field Quality
Control**

- A. Deflection on installed system: Maximum deflection shall not exceed 1/360 of the span.

Notes



Elegant Accents and Trim





FOR MORE DETAILS ON CEILING SYSTEMS VISIT www.cgcinco.com

CUSTOMER SERVICE

Ontario

800-387-2690

Quebec/Eastern Ontario/Atlantic Canada

800-361-1310

Western Canada

800-242-4418

Trademarks

The following are trademarks of CGC Inc. or a related company: CELEBRATION, CENTRICITEE, COMPASSO, DONN, DX, DXW FINELINE, PARALINE, True Wood, CGC, CGC in stylized letters.

Notice

We shall not be liable for incidental or consequential damages, directly or indirectly sustained, nor for any loss caused by application of these goods not in accordance with current printed instruction or for other than intended use. Our liability is expressly limited to replacement of defective goods. Any claim shall be deemed waived unless made in writing to us within thirty (30) days from the date it was or reasonably should have been discovered.

Safety First!

Follow good safety/industrial hygiene practices during installation. Wear appropriate personal protective equipment. Read MSDS and literature before specification and installation.

SECUROCK®
Roof Board

SHEETROCK® brand hummek

FIBEROCK® brand AQUA-TOUGH
Underlayment

SYNKO

DONN®
Ceiling Suspension Systems

USG Ceilings™

SECUROCK®
Glass-Mat Sheathing

SHEETROCK®

SHEETROCK®
Paper Faced Metal Bead and Trim

FIBEROCK® brand
VH1 Abuse-Resistant

DUROCK® NEXT GEN
Cement Board

DUST CONTROL®
Drywall Compound

Beadex™

CGC A USG COMPANY

Manufactured by
CGC Inc.
350 Burnhamthorpe Rd W
Mississauga, ON L5B 3J1

docket# ESP_0280
2011, CGC inc.
Printed In Canada