



USG LEVELROCK® BRAND SAM-N75™ SOUND ATTENUATION MAT

Premium sound mat product for improved STC and IIC values

- STC and IIC values help meet or exceed code requirements per Section 1207 of the International Building Code
- Tested for system durability per ASTM C627
- Installed by USG Levelrock authorized applicators

DESCRIPTION

USG Levelrock® Brand SAM-N75™ Sound Attenuation Mat provides an economical method of improving the STC and IIC ratings of wood frame buildings. With a thickness of 3/4 in. (19 mm), this sound mat is ideal for rehab work involving loft-type units where there is no ceiling. These types of installations depend almost exclusively on the performance of the sound mat to attenuate impact noise. USG Levelrock SAM-N75 Sound Attenuation Mat requires a minimum topping of 1-1/2 in. (38 mm) of USG Levelrock® engineered cementitious underlayment.

LIMITATIONS

1. Do not use in exterior applications.
2. Do not use as a wear surface.
3. Do not use mechanical fasteners to install the sound attenuation mat as mechanical fasteners conduct impact sound, compromising acoustical isolation.
4. Do not install where continuous exposure to moisture is a possibility.
5. Structure shall be designed so that deflection does not exceed L/240 from combined dead and live loads and L/360 from live loads. Certain floor coverings such as marble, limestone, travertine and wood may have more restrictive deflection limits. Consult the appropriate floor-covering manufacturer.
6. For wood subfloors, do not install on plywood/OSB subfloors lacking tongue and groove edges without back-blocking.

INSTALLATION

USG Levelrock SAM-N75 Sound Attenuation Mat can be used over a variety of subfloors including plywood, OSB, pre-cast concrete, concrete and corrugated steel deck. For plywood or OSB subfloors, the edges must be tongue and groove or the use of back-blocking is required. The subfloor must be clean and free of construction debris and dirt. The building temperature should be maintained at a 50 °F (10 °C) minimum.

Priming USG Levelrock SAM-N75 sound attenuation mat is not required prior to installing USG Levelrock Floor Underlayments provided the sound mat is clean and free from construction debris, dirt and dust.

USG Levelrock® Perimeter Isolation Strip must be installed between the sound attenuation mat and walls or floor protrusions. The perimeter isolation strip must be installed so that there is no leakage of USG Levelrock engineered cementitious underlayment as any breach will compromise the sound system performance. Follow the detailed drawings in *Assemblies* (pg. 2) for specific instructions for USG Levelrock SAM-N75 Sound Attenuation Mat. For further perimeter isolation strip instructions, see *USG Levelrock® Brand Perimeter Isolation Strips Submittal* (IG1874) at usg.com.

Protect USG Levelrock underlayment floors poured over sound attenuation mat from heavy trade traffic loads (i.e. loaded drywall carts, heavy tool cabinets, etc.) with plywood.

For further details on installation requirements, specifications and the most up-to-date product information, please see usg.com.

PRODUCT DATA

	USG Levelrock™ SAM-N75™ Sound Attenuation Mat
Width	39.5 in. (1 m)
Roll length	50 lf. (15.2 m)
Coverage per roll	165 sq. ft. (15.3 m ²)
Mat thickness	0.75 in. (19 mm)
Roll diameter	26 in. (660 mm)
Weight/roll	28 lbs. (13 kg)

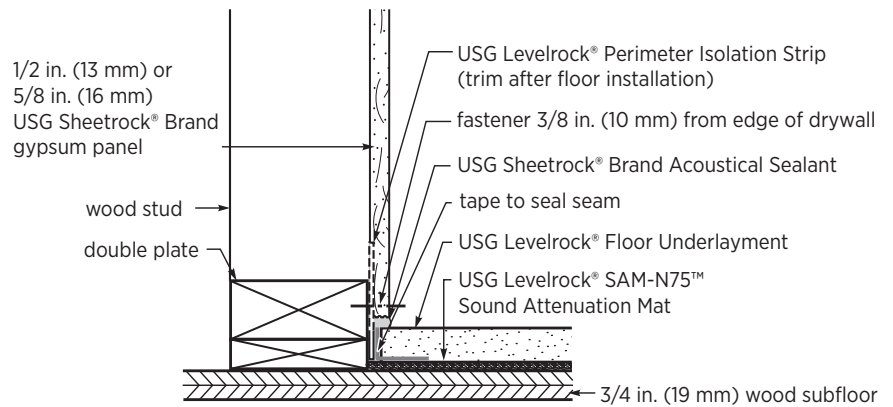
TESTING

LOFT ASSEMBLIES WITHOUT CEILINGS

Because loft assemblies vary greatly from job to job, field testing NNIC and NISR tests should be conducted by a licensed acoustician according to ASTM E336 (for NNIC) and ASTM E1007 (for NISR).

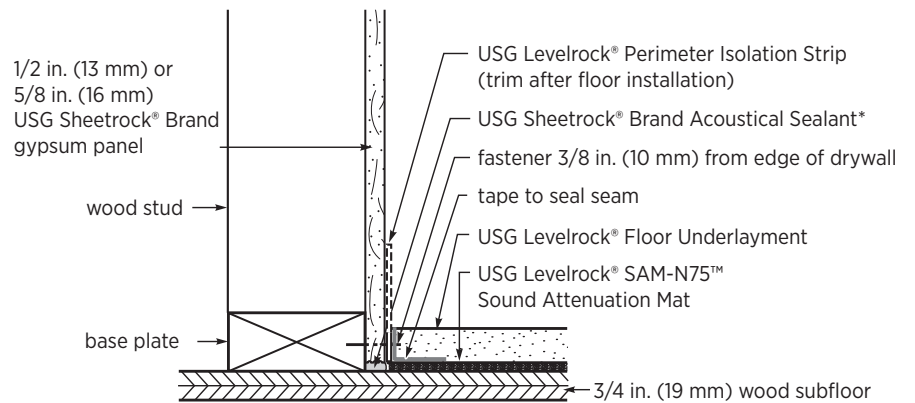
ASSEMBLIES

WOOD SUBFLOOR, WOOD FRAME—
USG LEVELROCK INSTALLED BEFORE DRYWALL



USG Levelrock® SAM-N75™ Sound Attenuation Mat

WOOD SUBFLOOR, WOOD FRAME—
USG LEVELROCK INSTALLED AFTER DRYWALL



USG Levelrock® SAM-N75™ Sound Attenuation Mat

* optional

NOTE Drawings not to scale.

EXTENDED WARRANTY

An extended warranty may apply when using USG Levelrock SAM-N75 Sound Attenuation Mat in a system application. Please contact USG for further details.

SUBMITTAL APPROVALS

Job Name	
Contractor	Date

PRODUCT INFORMATION

See usg.com for the most up-to-date product information.

CAUTION

Dust may cause irritation to eyes, skin, nose, throat and upper respiratory tract. Wear eye protection. If eye contact occurs, flush thoroughly with water for 15 minutes. Remove contact lenses and continue rinsing. If on skin: Wash with plenty of water. If irritation persists, call physician. For more information call Product Safety: 800-507-8899 or see the SDS at usg.com.

KEEP OUT OF REACH OF CHILDREN.

TRADEMARKS

The trademarks USG, LEVELROCK, SAM-N75, IT'S YOUR WORLD. BUILD IT., the USG logo, the design elements and colors and related marks are trademarks of USG Corporation or its affiliates.

NOTE

The information in this document is subject to change without notice. USG Corp. and/or its affiliates assume no responsibility for any errors that may inadvertently appear in this document. Consult your USG sales office or representative for information.

NOTICE

We shall not be liable for consequential, incidental or special damages, directly or indirectly sustained, nor for any loss caused by application of these goods not in accordance with current printed instructions or for other than the intended use. Our liability is expressly limited to the replacement of defective goods or a refund of the purchase price, at USG's option, and does not include costs of labor, floor-covering materials, or any other costs associated with material replacement. Any claim shall be deemed waived unless made in writing to us within thirty (30) days from date it was or reasonably should have been discovered.

SAFETY FIRST!

Follow good safety/industrial hygiene practices during installation. Wear appropriate personal protective equipment. Read applicable SDSs and literature before specification and installation.

800 USG.4YOU
800 (874.4968)
usg.com

Manufactured for
United States Gypsum Company
550 West Adams Street
Chicago, IL 60661

IG1796-USA-ENG/rev. 10-21
© 2021 USG Corporation and/or
its affiliates. All rights reserved.
Printed in U.S.A.

