

USG COMPÄSSO™ ELITE

EXTRUDED ALUMINUM PERIMETER TRIMS

USG Compässo™ Elite Perimeter
Trim with USG Halcyon™ Acoustical
Panels/USG Donn® Brand Fineline®
DXF™ Acoustical Suspension System

TO ORDER SAMPLES, GO TO USG.COM OR CGCINC.COM

POWDER-COATED METAL



Flat White
050



Silver Satin
002



Flat Black
205



Powder
White 3767

PAINTED METAL



Coordinating
Blanco Mat®
4245

CUSTOM COLORS AVAILABLE



FEATURES AND BENEFITS

- Creates free-form ceiling islands or fascias to define space and provide visual impact.
- Available in variable trim heights.
- Made to order; arrives on-site pre-engineered.
- Strong, durable and long-lasting extruded aluminum construction.
- Compässo™ Elite for DXI™ available (straight only).
- Compässo™ Elite for DXI™ is recommended for use with full-size ceiling panels only.

APPLICATIONS

- Interior Applications
- Pods, Islands, and Clouds
- Sloped Ceilings
- Custom Curved Radius and Length
- Quick Ship Straights
- New Construction or Renovation

USG COMPASSO™ ELITE

EXTRUDED ALUMINUM PERIMETER TRIMS

ORDER SAMPLES/LITERATURE
 USG: usg.com or samplitt@usg.com
 CGC: contact Sales Representative

FOR MOST UP-TO-DATE
 TECHNICAL INFORMATION
 AND LEED REPORT TOOL
 usgdesignstudio.com
 cgcdesignstudio.com
 usg.ecomedes.com

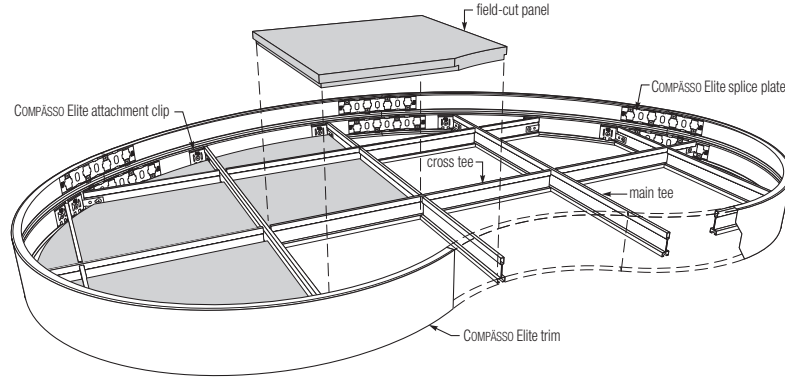
TECHNICAL SERVICES
 800.USG.4YOU (874-4968)

PRODUCT INFORMATION

Perspective

Materials	Finishes
Extruded Aluminum	Painted, powder coated

USG Compasso™ Elite



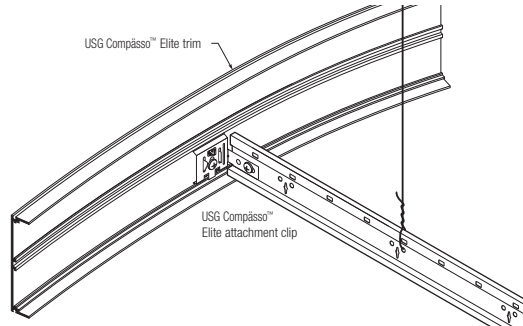
USG Compasso™ Elite
 and USG Compasso™ Elite
 for DXI™

2"	4"	6"	8"	10"

USG Compasso™ Elite for DXI™ available in 4" and 6", straight only.

Attachment Clip

USG Compasso™ Elite



Low Emissions (VOC)

CDPH 01350 v1.2-2017 compliance on select finishes, see usg.ecomedes.com for more details and documentation.

High Recycled Content

USG classifies High Recycled Content as greater than 50%. Total recycled content is based on product composition of pre-consumer (post-industrial) and post-consumer recycled content per FTC guidelines.

PHYSICAL DATA

Additional Documents and Resources

System Brochure: IC400
 Data Sheet: IC309
 Warranty: SC2102

Online Tools

usgdesignstudio.com, cgcdesignstudio.com
 or usg.ecomedes.com

Recycled Content

See the USG Sustainability Tool on usgdesignstudio.com
 or cgcdesignstudio.com.

- Minimum radius is 18".

Notice

The information in this document is subject to change without notice. CGC Inc. or USG Corp. assumes no responsibility for any errors that may inadvertently appear in this document.

IC309/rev. 7-24
 © 2024 USG Corporation and/or its affiliates. All rights reserved. Printed in USA

Manufactured by USG Interiors, LLC
 550 West Adams Street
 Chicago, IL 60661

The trademarks USG, CGC, COMPASSO, BLANCO MAT, DONN, DXI, DXF, FINELINE, HALCYON, IT'S YOUR WORLD. BUILD IT., the USG/CGC logo, the design elements and colors, and related marks are trademarks of USG Corporation or its affiliates.

Safety First! Follow good safety/industrial hygiene practices during installation. Wear appropriate personal protective equipment. Read SDS and literature before specification and installation.

