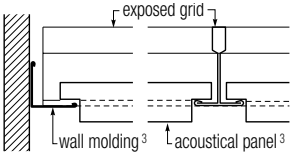
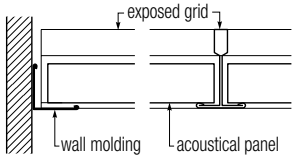
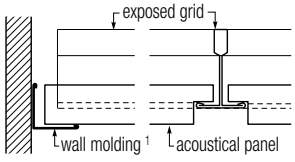
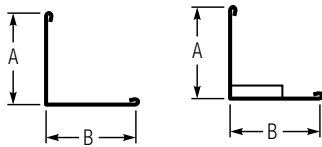


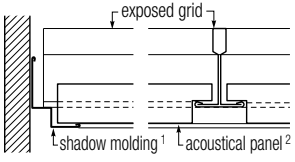
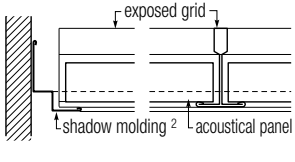
Perimeter Interface

CGC offers numerous perimeter options designed to accommodate all Down suspension systems with CGC acoustical ceiling panels. Use this selector as a guide to ensure that a perimeter moulding meets your design criteria. For fire-rated applications, check the UL design for approved moulding shapes and sizes.

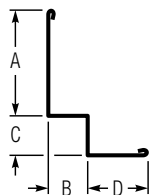
	Shadowline edge at perimeter with Shadowline panel	Square edge at perimeter with Square edge panel	Square edge at perimeter with Shadowline panel
Wall Moulding and M12CE			

Typical Sizes	A	B
	M7, M7Z, M7A	7/8"
M9	15/16"	9/16"
M12	1-1/2"	1"
MC11A	1"	1"
M7CE	7/8"	7/8"
M20, M20HD, M20SM	1"	2"



	Shadowline edge at perimeter with Shadowline panel	Shadowline edge at perimeter with Square edge panel
Shadow Moulding		

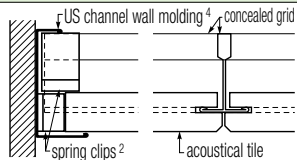
Typical Sizes	A	B	C	D
	MS31	3/4"	3/4"	1/2"
MS124	15/16"	1/4"	5/16"	15/16"
MS134	9/16"	1/4"	5/16"	3/4"
MS144	3/4"	3/8"	1/2"	3/4"
MS154	7/8"	3/4"	3/4"	7/8"
MS164	3/4"	3/4"	3/4"	3/4"
MS174	1"	3/8"	3/8"	9/16"
MS274	7/8"	3/4"	9/32"	1-1/4"



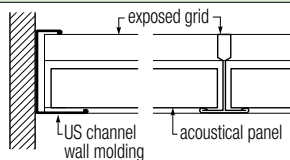
1. Shadowline tapered panel will result in mouse hole at moulding.
2. Reveal depth will vary by product.
3. Detail requires field cut and reveal of perimeter panels.
4. US25 typical for concealed grid and tile.

US Channel Moulding and US28CE

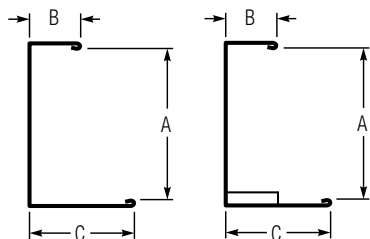
Square edge at perimeter of concealed grid and panel



Square edge at perimeter of square edge panel



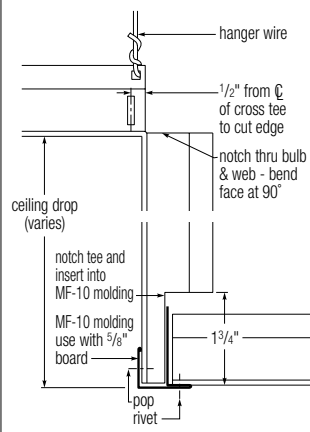
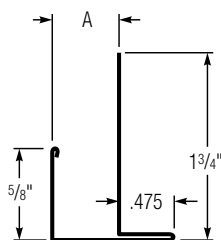
Typical Sizes



	A	B	C
US8	1/2"	1/2"	1"
US10	5/8"	1/2"	1"
US12	3/4"	1/2"	1"
US16	1"	1/2"	1"
US19	1-3/16"	1/2"	1"
US20	1-1/4"	1/2"	1"
US22	1-3/8"	1/2"	1"
US25	1-9/16"	1/2"	1"
US28CE	1-11/16"	1/2"	1"
US31	1-15/16"	1/2"	1"

Vertical-to-horizontal transition detail for suspension system

MF Moulding



Typical Sizes

	A
MF8	1/2"
MF10	5/8"