

USG LEVELROCK® BRAND

SAM-N12™

SAM-N25™

SAM-N40™

SOUND ATTENUATION MAT

Premium sound mat products

- STC and IIC values help meet or exceed code requirements for sound attenuation
 - Can be used over a variety of subfloors
 - Robinson tested for system durability
 - May contribute towards LEED® credits
 - Installed by USG Levelrock authorized applicators
-

DESCRIPTION

USG Levelrock® Brand SAM-N12™, SAM-N25™ and SAM-N40™ Sound Attenuation Mats provide an economical method of improving the IIC and STC ratings of a variety of subfloors such as plywood, OSB, pre-cast concrete, concrete and corrugated steel deck. Thicknesses of 0.125 in. (3.2 mm) for USG Levelrock SAM-N12, 0.25 in. (6.35 mm) for USG Levelrock SAM-N25 and 0.40 in. (10.2 mm) for USG Levelrock SAM-N40 sound attenuation mat, allow for customization of the floor specification to address overall floor thickness limitations and building code sound requirements, making them ideal for multi-family wood frame construction.

USG Levelrock SAM-N12 sound attenuation mat requires a minimum ¾ in. (19 mm) of USG Levelrock® engineered cementitious underlayment topping, while both USG Levelrock SAM-N25 and SAM-N40 sound attenuation mats require a minimum 1 in. (25.4 mm) topping of USG Levelrock engineered cementitious underlayment. All USG Levelrock SAM-N Series sound attenuation mats are made from a durable polymer resin.

For those interested in green building, the typical recycled content of USG Levelrock SAM-N12, SAM-N25 and SAM-N40 sound attenuation mats (40%, of which 100% is pre-consumer/post-industrial material) may assist in obtaining LEED MR credits for Recycled content.

LIMITATIONS

1. Do not use in exterior applications.
2. Do not use as a wear surface.
3. Do not use mechanical fasteners to install the sound attenuation mat as mechanical fasteners conduct impact sound, eliminating acoustical isolation.
4. Do not install where continuous exposure to moisture is a possibility.
5. Structure shall be designed so that deflection does not exceed L/240 from combined dead and live loads and L/360 from live loads. Certain floor coverings such as marble, limestone, travertine and wood may have more restrictive deflection limits. Consult the appropriate floor-covering manufacturer.
6. For wood subfloors, do not install on plywood/OSB subfloors lacking tongue and groove edges without back-blocking.

INSTALLATION

USG Levelrock SAM-N Series sound attenuation mats can be used over a variety of subfloors including plywood, OSB, pre-cast concrete, concrete and corrugated steel deck. For plywood or OSB subfloors, the edges must be tongue and groove or the use of back blocking is required. The subfloor must be clean and free of construction debris and dirt. The building temperature should be maintained at a 50 °F (10 °C) minimum.

USG Levelrock SAM-N Series sound attenuation mats should be primed with USG Levelrock™ Wood Primer prior to the installation of the underlayment.

USG Levelrock® Perimeter Isolation Strip must be installed between the sound attenuation mat and walls or floor protrusions. The perimeter isolation strip must be installed so that there is no leakage of USG Levelrock engineered cementitious underlayment as any breach will compromise the sound system performance. Follow the detailed drawings in *Assemblies* (pg. 3) for specific instructions for USG Levelrock SAM-N12, SAM-N25 & SAM-N40 sound attenuation mats.

Protect USG Levelrock underlayment floors poured over sound attenuation mat from heavy trade traffic loads (i.e. loaded drywall carts, heavy tool cabinets, etc.) with plywood.

For further details on installation requirements, specifications and the most up-to-date product information, please see usg.com or pourlevelrock.com.

PRODUCT DATA

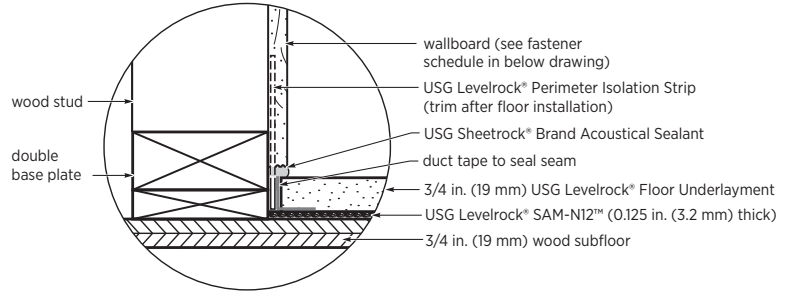
	USG Levelrock® SAM-N12 Sound Attenuation Mat	USG Levelrock® SAM-N25 Sound Attenuation Mat	USG Levelrock® SAM-N40 Sound Attenuation Mat
Width	39.5 in. (1 m)	39.5 in. (1 m)	39.5 in. (1 m)
Roll length	150 lf. (45.7 m)	135 lf. (41.1 m)	100 lf. (30.5 m)
Coverage per roll	494 sq. ft. (45.9 m ²)	445 sq. ft. (41.3 m ²)	330 sq. ft. (30.7 m ²)
Mat thickness	0.125 in. (3.2 mm)	0.25 in. (6.35 mm)	0.40 in. (10.2 mm)
Roll diameter	18 in. (457 mm)	24 in. (610 mm)	26 in. (660 mm)
Weight per roll	48 lbs. (21.8 kg)	46 lbs. (20.9 kg)	34 lbs. (15.4 kg)

TEST DATA

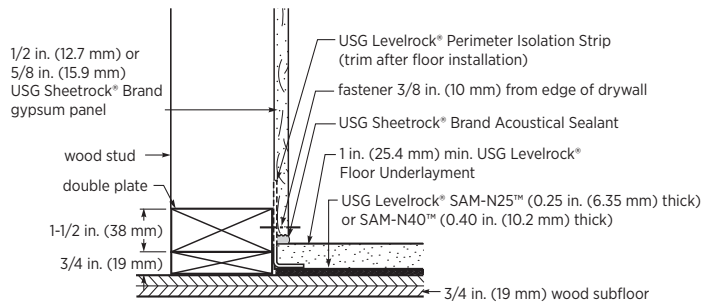
For fire ratings and IIC and STC sound test data, refer to the *USG Levelrock® and USG Durock™ Fire & Sound Rating Guide* (IG1685) at usg.com or pourlevelrock.com.

ASSEMBLIES

WOOD SUBFLOOR, WOOD FRAME—
USG LEVELROCK INSTALLED BEFORE DRYWALL

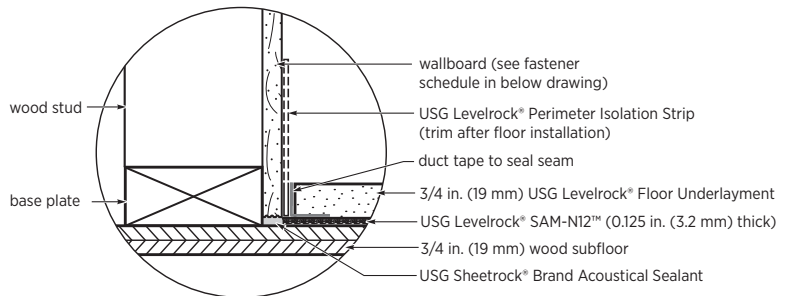


USG Levelrock® SAM-N12™ Sound Attenuation Mat

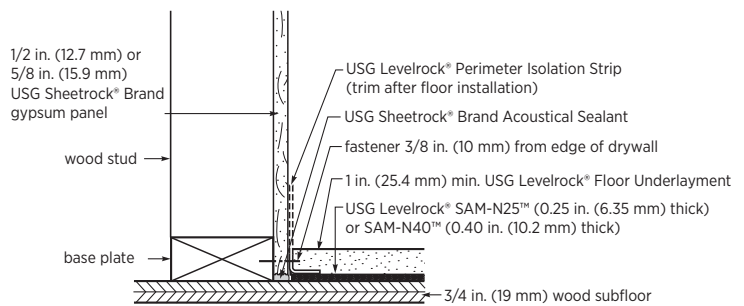


USG Levelrock® SAM-N25™ or SAM-N40™ Sound Attenuation Mat

WOOD SUBFLOOR, WOOD FRAME—
USG LEVELROCK INSTALLED AFTER DRYWALL



USG Levelrock® SAM-N12™ Sound Attenuation Mat



USG Levelrock® SAM-N25™ or SAM-N40™ Sound Attenuation Mat

SUBMITTAL APPROVALS

Job Name	
Contractor	Date

PRODUCT INFORMATION

See usg.com or pourlevelrock.com for the most up-to-date product information.

LEED INFORMATION

For the most up-to-date information on LEED rating systems, project certification and the U.S. Green Building Council, please visit usgbc.org.

CAUTION

Dust may cause irritation to eyes, skin, nose, throat and upper respiratory tract. Wear eye protection. If eye contact occurs, flush thoroughly with water for 15 minutes. Remove contact lenses and continue rinsing. If on skin: Wash with plenty of water. If irritation persists, call physician. For more information call Product Safety: 800-507-8899 or see the SDS at usg.com.

KEEP OUT OF REACH OF CHILDREN.

TRADEMARKS

The trademarks USG, LEVELROCK, SAM-N12, SAM-N25, SAM-N40, SHEETROCK, IT'S YOUR WORLD. BUILD IT., the USG logo, the design elements and colors and related marks are trademarks of USG Corporation or its affiliates.

LEED is a registered trademark of U.S. Green Building Council.

NOTE

The information in this document is subject to change without notice. USG Corp. assumes no responsibility for any errors that may inadvertently appear in this document. Consult your USG Company sales office or representative for information.

NOTICE

We shall not be liable for incidental or consequential damages, directly or indirectly sustained, nor for any loss caused by application of these goods not in accordance with current printed instruction or for other than the intended use. Our liability is expressly limited to replacement of defective goods. Any claim shall be deemed waived unless made in writing to us within thirty (30) days from date it was or reasonably should have been discovered.

SAFETY FIRST!

Follow good safety/industrial hygiene practices during installation. Wear appropriate personal protective equipment. Read SDS and literature before specification and installation.

800 USG.4YOU
800 (874.4968)
usg.com
pourlevelrock.com
usgdesignstudio.com

Manufactured for
United States Gypsum Company
550 West Adams Street
Chicago, IL 60661

IG1735-USA-ENG/rev. 9-16
© 2016 USG Corporation and/or
its affiliates. All rights reserved.
Printed in U.S.A.

USG
IT'S YOUR WORLD. BUILD IT.®