

# USG LEVELROCK® BRAND SOUND REDUCTION BOARD

## SRB™

### DESCRIPTION

---

#### Economical, high-performance sound reduction board

- Provides excellent sound control
  - Sound systems meet or exceed International Building Code requirements for 50 IIC and 50 STC
  - Qualifies for LEED® credits
  - Water-resistant, smooth coated finish
  - 1-1/8 in. total system thickness minimizes floor transitions
  - Robinson tested for system durability
- 

USG Levelrock® Brand SRB™ Sound Reduction Board is an economical sound control material used to increase IIC and STC levels in all types of construction. With its thin 3/8 in. profile, USG Levelrock SRB sound reduction board, when topped with 3/4 in. USG Levelrock® engineered cementitious underlayment, minimizes transition height changes between rooms. This sound reduction board system has also achieved a residential rating on the Robinson floor test (ASTM C627).

USG Levelrock SRB sound reduction board can also contribute to sustainable building practices under the LEED (Leadership in Energy and Environmental Design) Green Building Rating System™, the voluntary, consensus-based standard to support and certify successful green building design, construction and operations. The recycled content of SRB sound reduction board (49.7%, of which 17% is post-consumer material) can help a building achieve a LEED rating.

---

### LIMITATIONS

1. Do not use in exterior applications.
2. Do not use as a wear surface.
3. Do not use mechanical fasteners to install the sound attenuation mat as mechanical fasteners conduct impact sound, eliminating acoustical isolation.
4. Do not install where continuous exposure to moisture is a possibility.
5. Structure shall be designed so that deflection does not exceed L/240 from combined dead and live loads and L/360 from live loads. Certain floor coverings such as marble, limestone, travertine and wood may have more restrictive deflection limits. Consult the appropriate floor-covering manufacturer.
6. For wood subfloors, do not install on plywood/OSB subfloors lacking tongue and groove edges without back-blocking.
7. Do not install when temperature is below 50 °F.
8. USG Levelrock floor underlayment should be poured to a minimum 3/4 in. thickness over USG Levelrock SRB sound reduction board.

## INSTALLATION

USG Levelrock SRB sound reduction board can be used over a variety of subfloors including plywood, OSB and concrete. The subfloor must be clean, dry and free of construction debris and dirt. The building temperature should be maintained at a 50 °F minimum. During the entire process of installation, the building must be enclosed and USG Levelrock SRB sound reduction board protected from the environment.

USG Levelrock SRB sound reduction board should be primed with USG Levelrock™ Wood Primer prior to the installation of the underlayment.

USG Levelrock® Perimeter Isolation Strip must be installed between the sound reduction board and walls or floor protrusions. The perimeter isolation strip must be installed so that there is no leakage of USG Levelrock floor underlayment as any breach will compromise the sound system performance. Follow the detailed drawings in *Assemblies* (pg. 3) for specific instructions for USG Levelrock SRB sound reduction board, or contact USG for further details.

USG Levelrock floor underlayment must be installed at a 3/4-in. minimum thickness. After the floor underlayment has set, cut off excess perimeter isolation strip (and remove staples if used). Protect USG Levelrock underlayment floors poured over USG Levelrock SRB sound reduction board from heavy trade traffic loads (i.e. loaded drywall carts, heavy tool cabinets, etc.) with plywood.

## FINISH FLOORING

1. Install hardwood, tile or natural stone according to ANSI A108.5, leaving a 1/4 in. gap between the flooring material and wall. Fill the gap with acoustical sealant to prevent lateral sound transmission.
2. With vinyl and carpet, no gaps are required between the flooring material and walls. Carpet tack strips should be installed at least 1/4 in. from the edge of the poured USG Levelrock floor underlayment.
3. Shim baseboards 1/8 in. above the finished floor and fill the gap underneath with acoustical sealant.

For further details on installation requirements, specifications and the most up-to-date product information, please see [usg.com](http://usg.com), [pourlevelrock.com](http://pourlevelrock.com) and [usgdesignstudio.com](http://usgdesignstudio.com).

## PRODUCT DATA

---

<b>Size (ft.)</b>	4 x 4
<b>Boards/pallet</b>	100
<b>Coverage per pallet (sq. ft./pallet)</b>	1600
<b>Mat thickness (inches)</b>	3/8
<b>Mat thickness (mm)</b>	9.5
<b>Weight (lbs./sq. ft.)</b>	0.72

---

## TEST DATA

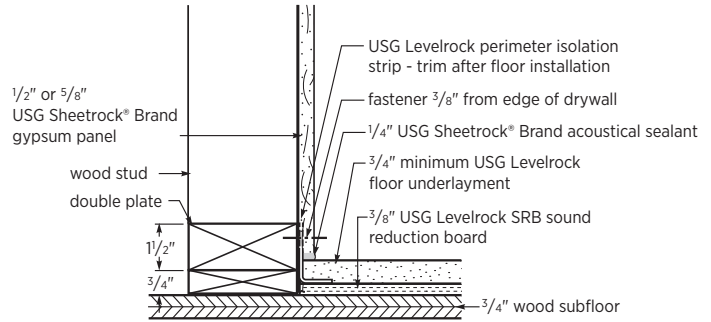
**IIC:** Additional 5-8 points (depending on floor covering)

**STC:** Additional 2-3 points

**NOTE:** Contact USG or Alcorp Marketing for detailed test results of various systems. Tests were conducted under laboratory conditions according to ASTM E90 and E492 in a NVLAP-accredited facility (NVLAP Lab Code: 200132-0). Actual field conditions may vary from laboratory conditions and affect results. Consult ASTM E1007 for a list of variable conditions.

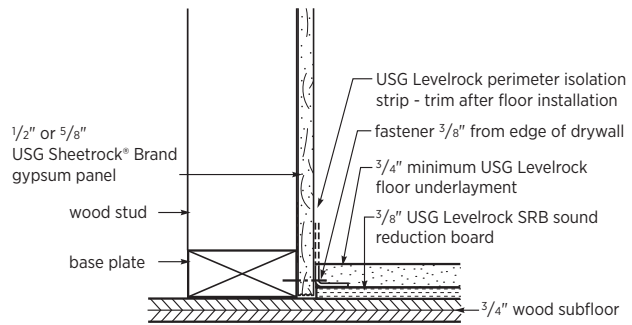
## ASSEMBLIES

WOOD SUBFLOOR –  
USG LEVELROCK INSTALLED BEFORE DRYWALL



**USG Levelrock SRB Sound Reduction Board Over Plywood  
USG Levelrock Poured Before Drywall**

WOOD SUBFLOOR –  
USG LEVELROCK INSTALLED AFTER DRYWALL



**USG Levelrock SRB Sound Reduction Board Over Plywood  
USG Levelrock Poured After Drywall**

## SUBMITTAL APPROVALS

<b>Job Name</b>	
<b>Contractor</b>	<b>Date</b>

### PRODUCT INFORMATION

See [usg.com](http://usg.com) or [pourlevelrock.com](http://pourlevelrock.com) for the most up-to-date product information.

### LEED INFORMATION

For the most up-to-date information on LEED rating systems, project certification and the U.S. Green Building Council, please visit [usgbc.org](http://usgbc.org).

### DANGER

May cause cancer. May damage lungs by prolonged or repeated exposure to respirable crystalline silica. Do not handle until all safety precautions have been read and understood. Avoid breathing dust. Use only in a well-ventilated area, wear a NIOSH/MSHA-approved respirator. Cut and trim with a razor knife or hand saw to minimize dust levels. If a router is used it must have a dust collection system. Wear protective gloves/protective clothing/eye protection. If exposed or concerned: Get medical advice/attention. If eye contact occurs, flush thoroughly with water for 15 minutes. Dispose of in accordance with local, state, and federal regulations. For more information call Product Safety: 800-507-8899 or see the SDS at [usg.com](http://usg.com).

**KEEP OUT OF REACH OF CHILDREN.**

### TRADEMARKS

The trademarks USG, LEVELROCK, SHEETROCK, SRB, IT'S YOUR WORLD, BUILD IT., the USG logo, the design elements and colors and related marks are trademarks of USG Corporation or its affiliates. LEED is a registered trademark of U.S. Green Building Council.

### NOTICE

We shall not be liable for incidental or consequential damages, directly or indirectly sustained, nor for any loss caused by application of these goods not in accordance with current printed instruction or for other than the intended use. Our liability is expressly limited to replacement of defective goods. Any claim shall be deemed waived unless made in writing to us within thirty (30) days from date it was or reasonably should have been discovered.

### SAFETY FIRST!

Follow good safety/industrial hygiene practices during installation. Wear appropriate personal protective equipment. Read SDS and literature before specification and installation.

800 USG.4YOU  
800 (874.4968)  
[usg.com](http://usg.com)  
[pourlevelrock.com](http://pourlevelrock.com)  
[usgdesignstudio.com](http://usgdesignstudio.com)

Manufactured for  
United States Gypsum Company  
550 West Adams Street  
Chicago, IL 60661

IG1523/rev. 9-15  
© 2015 USG Corporation and/or  
its affiliates. All rights reserved.  
Printed in U.S.A.

**USG**  
IT'S YOUR WORLD. BUILD IT.™