

USG LEVELROCK™ BRAND PERIMETER ISOLATION STRIP

Lightweight foam strips for use with USG Levelrock™ Brand sound systems

- Isolates USG Levelrock® Brand floor systems to reduce horizontal transmission of airborne and impact noise
- Available in 2.5 in. and 4 in. widths
- Installed by USG Levelrock authorized applicators

DESCRIPTION

To achieve the desired effectiveness in a sound system, a perimeter isolation strip is necessary. USG Levelrock™ Brand Perimeter Isolation Strip is a thin band of lightweight foam material used for minimizing sound transmissions between the floor and the wall. USG Levelrock perimeter isolation strip is designed for use with all USG Levelrock™ sound attenuation products including USG Levelrock™ SAM-N12™, SAM-N25™, SAM-N40™ and SAM-N75™ Sound Attenuation Mats, SRM-25™ Ready Seam™ Sound Reduction Mat and D20 PLUS™ Low Profile Sound mat.

USG Levelrock perimeter isolation strip can also be used in various USG Levelrock and USG Durock™ Brand gypsum applications to minimize the effect of gypsum expansion and cracking on outside corners.

LIMITATIONS

1. Do not use in exterior applications.
2. Do not install where continuous exposure to moisture is a possibility.

INSTALLATION

PREFERRED METHOD

Install the USG sound attenuation product to a clean floor, leaving a 1/4 in. space (gap) at all wall intersections. In pour before drywall applications, the sound attenuation product is installed exactly the same way, except the gap will be between the sound attenuation product and the bottom plate of the stud wall.

Install USG Levelrock 2.5 or 4.0ab perimeter isolation strip directly to the surface of the wallboard so that the bottom edge of the strip is level with the top surface of the sound attenuation product. USG Levelrock 2.5 perimeter isolation strip must be attached to the wallboard using either staples or a high quality duct tape (USG Levelrock 4.0ab perimeter isolation strip includes an adhesive strip, therefore, staples or duct tape is not necessary).

Fold duct tape in half (along the length), applying one half of the tape to the vertical surface of the strip and the other half of the tape to the horizontal surface of the sound attenuation product. Make sure the tape adheres tightly to both surfaces. Any creases or improper positioning of the tape could allow USG Levelrock slurry to leak into the gap which will cause a "short circuit" in the sound reduction system.

For pour before drywall applications, the strip is attached to the studs using the same methods as described above. In all cases, the attachment points must be above the final poured USG Levelrock surface.

INSTALLATION CONT.
ALTERNATE 4.0AB METHOD

Install the USG sound attenuation product to a clean floor, leaving a 1/4 in. space (gap) at all wall intersections. In pour before drywall applications, the sound attenuation product is installed exactly the same way, except the gap will be between the sound attenuation product and the bottom plate of the studded wall.

Using the USG Levelrock 4.0ab perimeter isolation strip (the 2.5 strip cannot be used for this method), create an "L" shape along the length of the strip. Apply the longer portion of the strip to the wallboard utilizing the adhesive backing and apply the shorter portion of the strip on top of the sound attenuation product (maintaining the "L" shape). Seal the edge of the perimeter isolation strip to the sound attenuation product using high quality duct tape.

Make sure the tape adheres tightly to both surfaces. Any creases or improper positioning of the tape could allow USG Levelrock slurry to leak into the gap which will cause a "short circuit" in the sound reduction system.

For pour before drywall applications, the strip is attached to the studs using the method described above. In all cases, the attachment points must be above the final poured USG Levelrock surface.

NOTE Adhesives may not adhere well in cold weather. In that case, the perimeter isolation strip should be stapled to the wall with the staples above the final USG Levelrock floor underlayment surface. After the underlayment has set, cut off the excess strip and remove the staples. It is critical that all joints are sealed properly to keep USG Levelrock floor underlayment from seeping under the strip and reducing the effectiveness of the sound system.

To help minimize gypsum expansion and cracking where no sound attenuation product is installed, use USG Levelrock 2.5 perimeter isolation strip on outside corners when pouring USG Levelrock® 2500, 3500, RH, Commercial RH and UltraArmor™ gypsum floor underlayments.

When pouring USG Levelrock UltraArmor and 4500 or USG Durock™ Proflow™ and Quik-Top™ gypsum floor underlayments over concrete subfloors, USG Levelrock 2.5 perimeter isolation strip should be installed around the entire room.

For further details on installation requirements, specifications and the most up-to-date product information, please see usg.com, pourlevelrock.com and usgdesignstudio.com.

EXPANSION AT OUTSIDE CORNERS AND PERIMETER OF ROOM (NO SOUND PRODUCT)

PRODUCT DATA

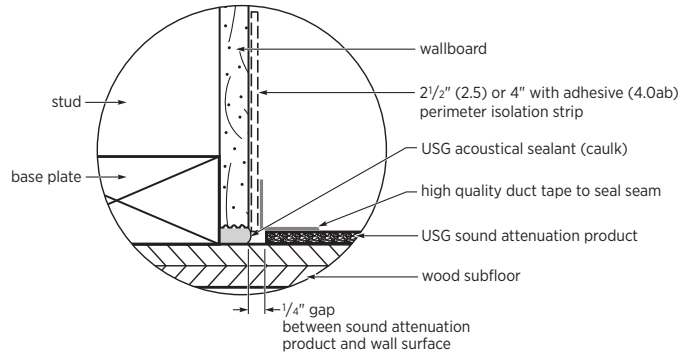
| | USG Levelrock™ 2.5 Perimeter Isolation Strip | USG Levelrock™ 4.0ab Perimeter Isolation Strip |
|---------------------------------|--|--|
| Material | Polyethylene | Polyethylene |
| Cell Structure | Closed | Closed |
| Color | White | White |
| Width (in.) | 2.5 | 4.0 |
| Roll Length (lineal ft.) | 125 | 450 |
| Thickness (in.) | .25 | .125 |
| Adhesive Backing | No | Yes |

STORAGE

USG Levelrock perimeter isolation strip should be kept in the original package and stored in an enclosed structure protected from the elements.

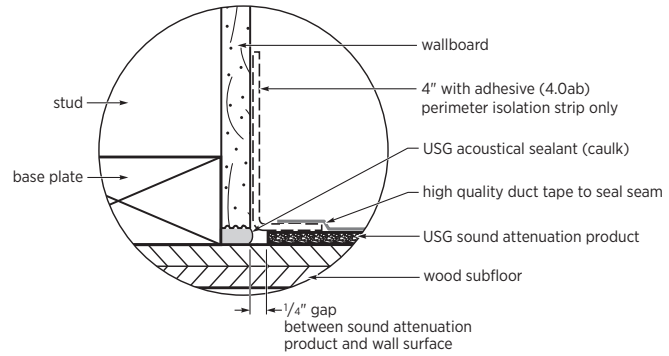
ASSEMBLIES

**USG PERIMETER ISOLATION STRIP
PREFERRED INSTALLATION METHOD**



**USG Perimeter Isolation Strip
Preferred Installation Method**

**USG PERIMETER ISOLATION STRIP
ALTERNATE 4.0AB INSTALLATION METHOD**



**USG Perimeter Isolation Strip
Alternate 4.0ab Installation Method**

SUBMITTAL APPROVALS

| | |
|------------|------|
| Job Name | |
| Contractor | Date |

PRODUCT INFORMATION

See usg.com or pourlevelrock.com for the most up-to-date product information.

CAUTION

Dust may cause irritation to eyes, skin, nose, throat and upper respiratory tract. Wear eye protection. If eye contact occurs, flush thoroughly with water for 15 minutes. Remove contact lenses and continue rinsing. If on skin: Wash with plenty of water. If irritation persists, call physician. For more information call Product Safety: 800-507-8899 or see the SDS at usg.com.

KEEP OUT OF REACH OF CHILDREN.

TRADEMARKS

The trademarks USG, D20 PLUS, DUROCK, LEVELROCK, PROFLOW, QUIK-TOP, READY SEAM, SAM-N12, SAM-N25, SAM-N40, SAM-N75, SHEETROCK, SRM-25, IT'S YOUR WORLD. BUILD IT., the USG logo, the design elements and colors and related marks are trademarks of USG Corporation or its affiliates.

NOTICE

We shall not be liable for incidental or consequential damages, directly or indirectly sustained, nor for any loss caused by application of these goods not in accordance with current printed instruction or for other than the intended use. Our liability is expressly limited to replacement of defective goods. Any claim shall be deemed waived unless made in writing to us within thirty (30) days from date it was or reasonably should have been discovered.

SAFETY FIRST!

Follow good safety/industrial hygiene practices during installation. Wear appropriate personal protective equipment. Read SDS and literature before specification and installation.

800 USG.4YOU
800 (874.4968)
usg.com
pourlevelrock.com
usgdesignstudio.com

Manufactured for
United States Gypsum Company
550 West Adams Street
Chicago, IL 60661

IG1874/rev. 5-15
© 2015 USG Corporation and/or
its affiliates. All rights reserved.
Printed in U.S.A.

USG 
IT'S YOUR WORLD. BUILD IT.™