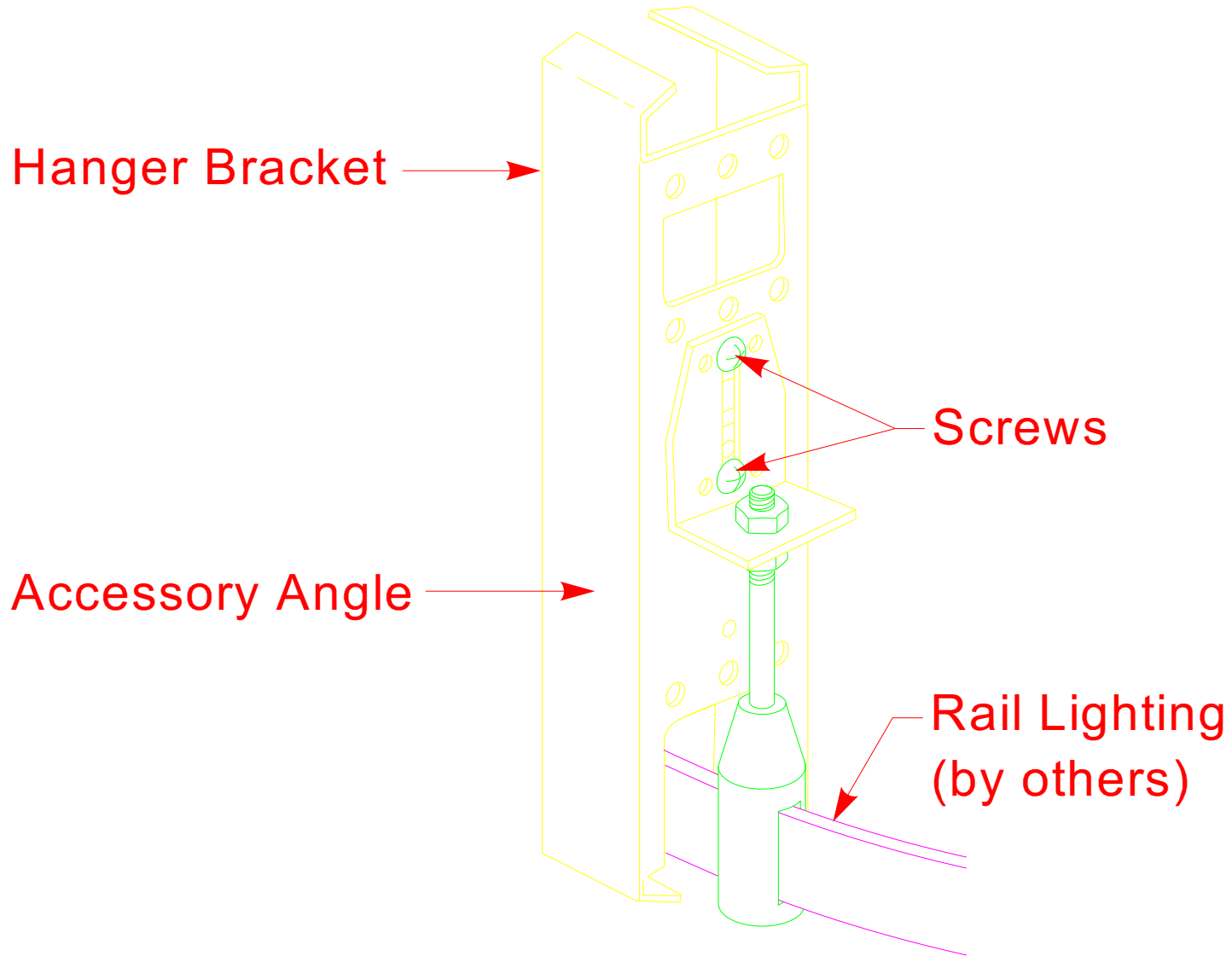


This USG System Detail must not be used without a complete evaluation by owner's design professional to verify the suitability of its use with your specific application.

Construction Solution Details: J. Flexible Rail Lighting (concealed rail)



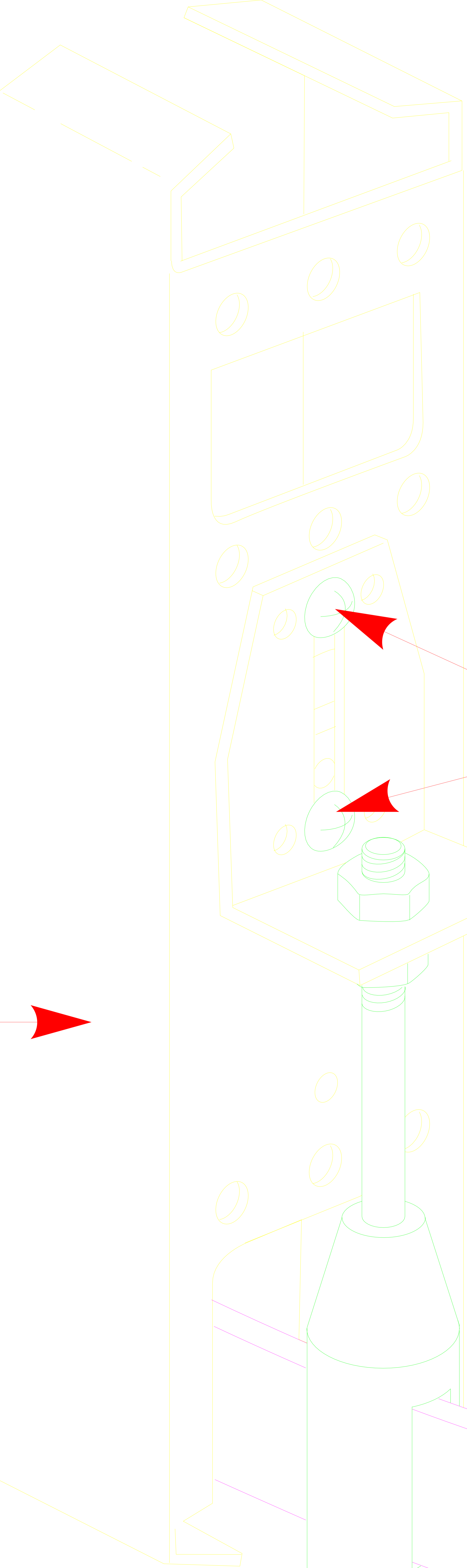
USG Corporation
125 South Franklin Street
Chicago, IL 60606-4678

Architectural and Technical Solutions
800-874-4968

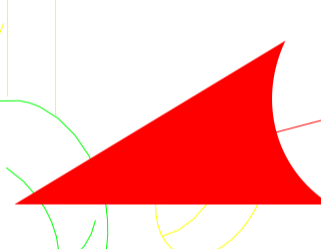
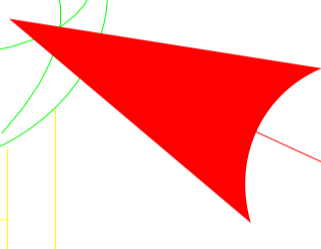
Drawn by: SG
Approved: SM
Revision:
Scale: Not to Scale

Date: June 22, 2006
Date:
Change:
Project:
File: 091500071

Hanger Bracket



Screws



Accessory Angle



**Rail Lighting
(by others)**

