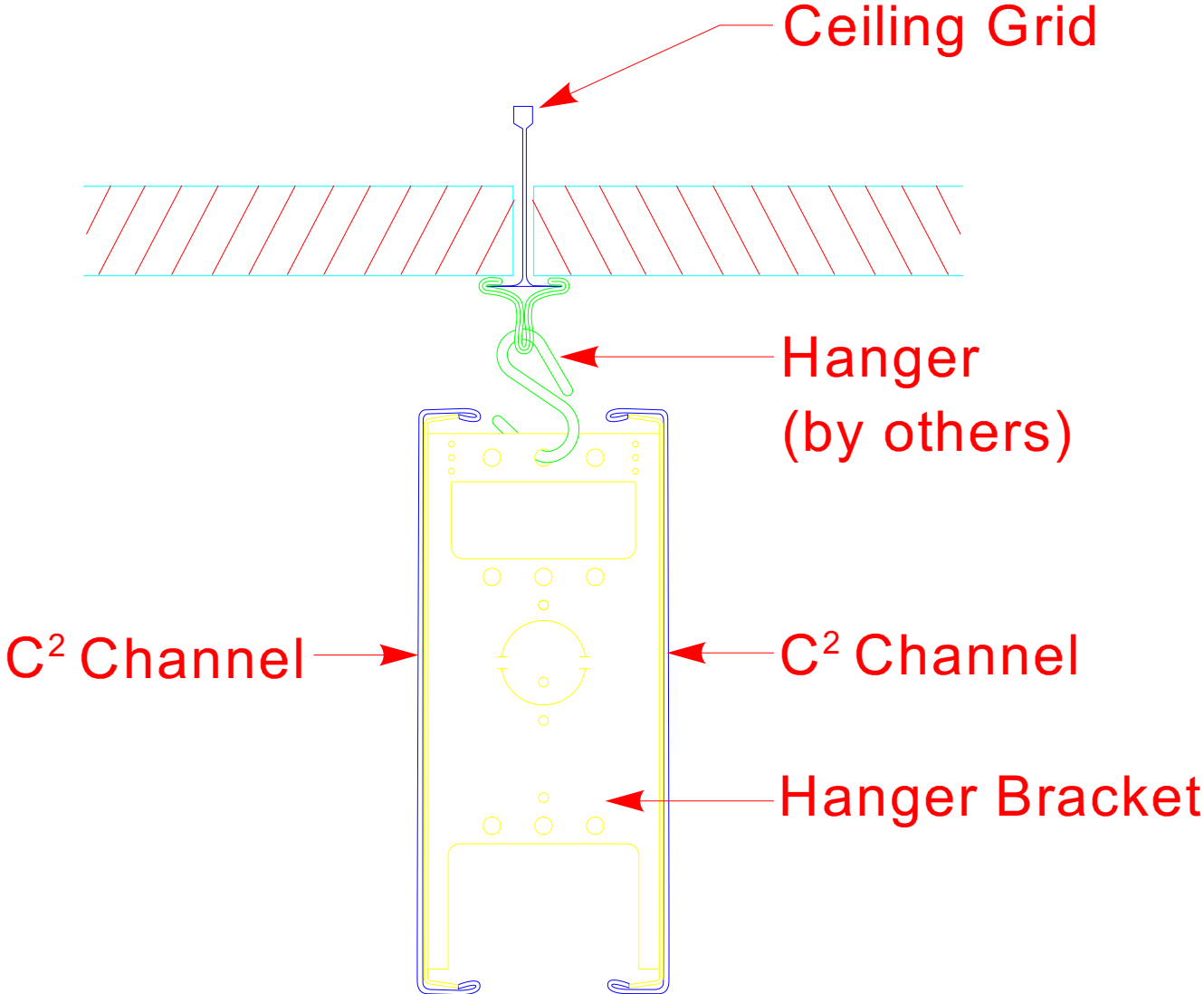


This USG System Detail must not be used without a complete evaluation by owner's design professional to verify the suitability of its use with your specific application.

Construction Solution Details: O. Ceiling Attachment



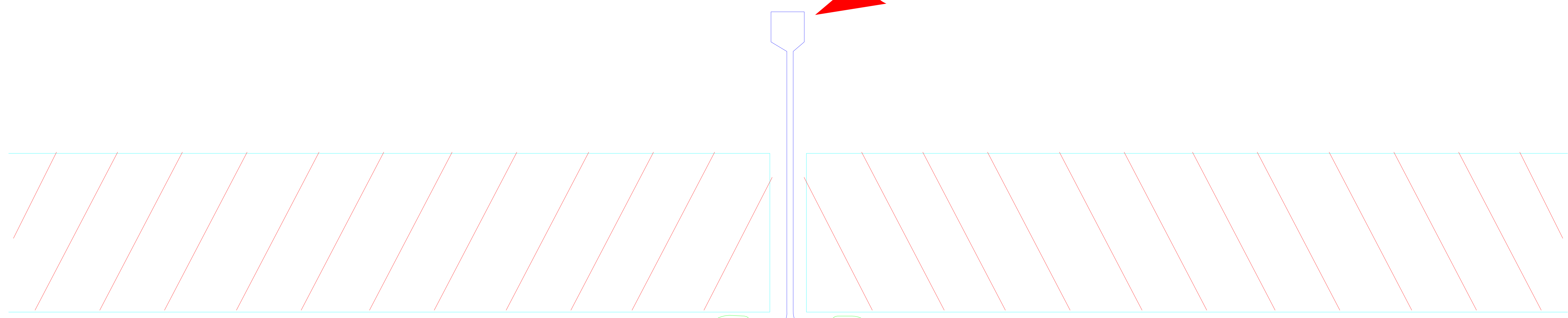
USG Corporation
125 South Franklin Street
Chicago, IL 60606-4678

Architectural and Technical Solutions
800-874-4968

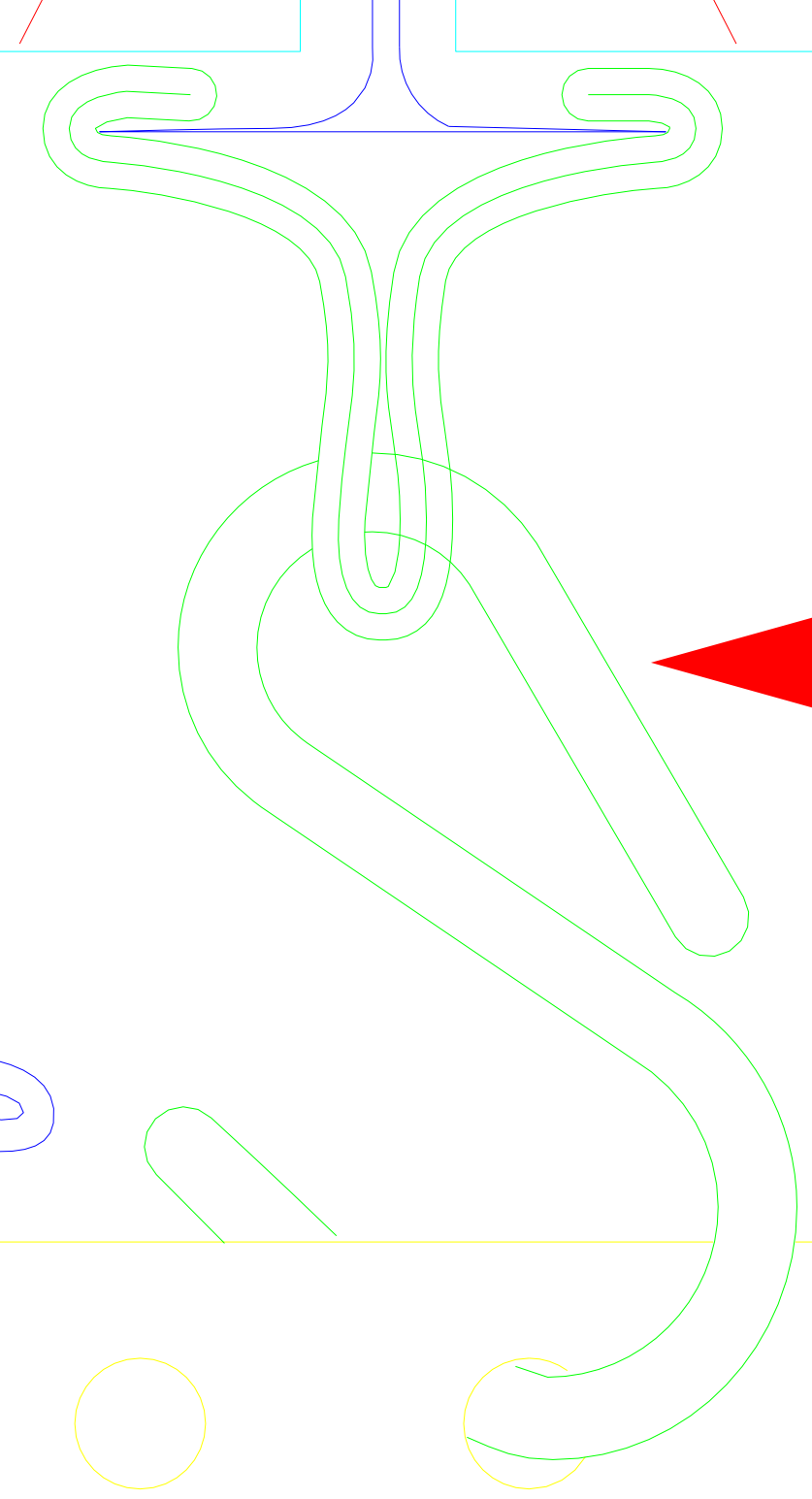
Drawn by: SG
Approved: SM
Revision:
Scale: Not to Scale

Date: June 22, 2006
Date:
Change:
Project:
File: 091500081

Ceiling Grid

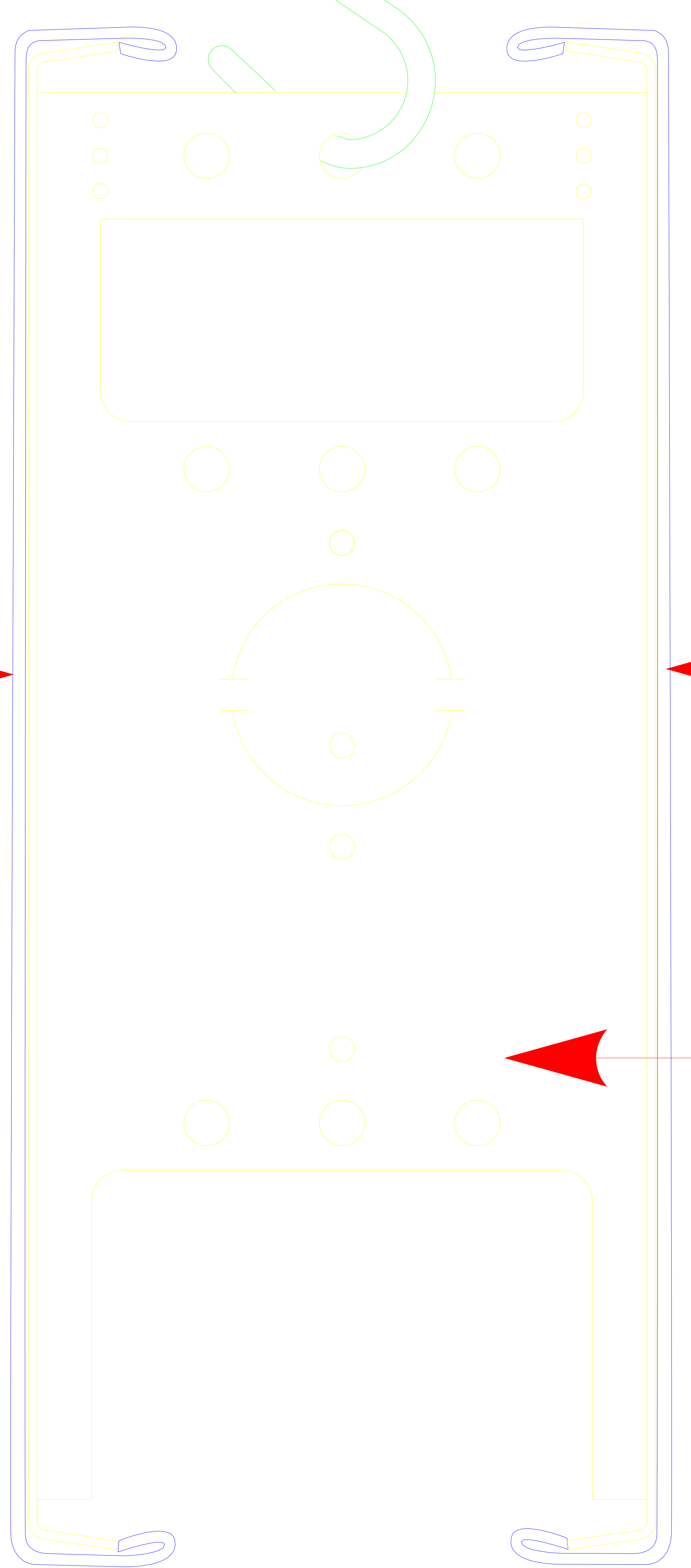


Hanger
(by others)



C² Channel

C² Channel



Hanger Bracket

