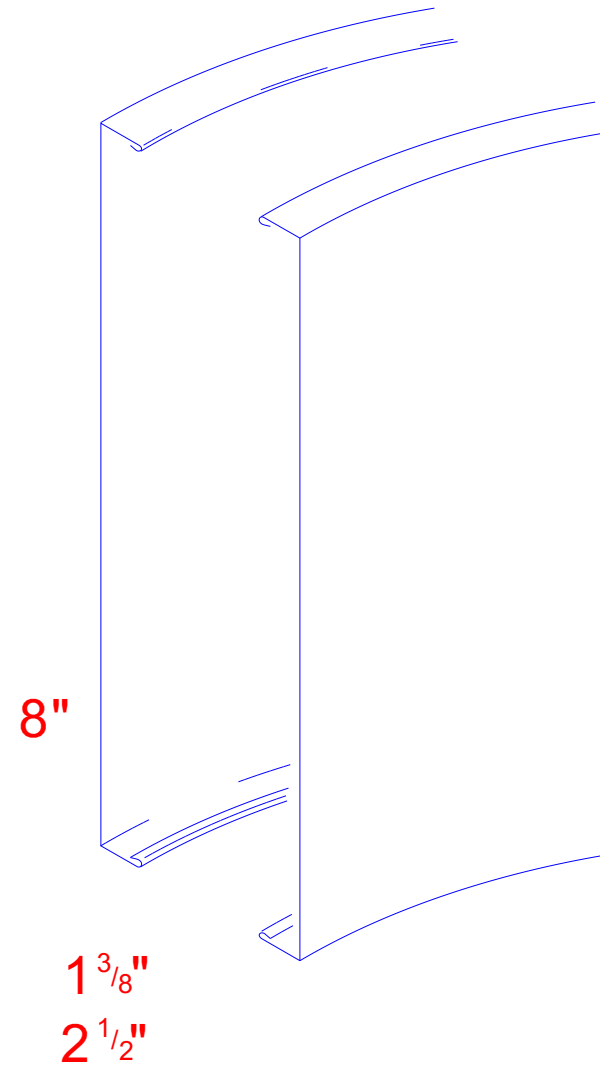
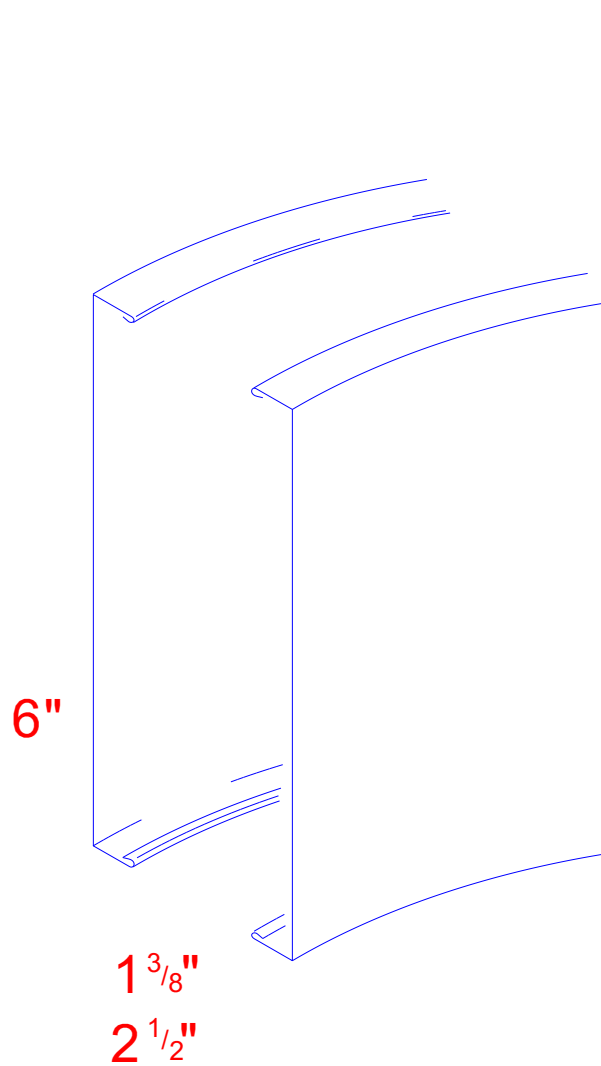


This USG System Detail must not be used without a complete evaluation by owner's design professional to verify the suitability of its use with your specific application.

Construction Solution Details: Wide Reveal (1-3/8"), 2-1/2" Overall Width



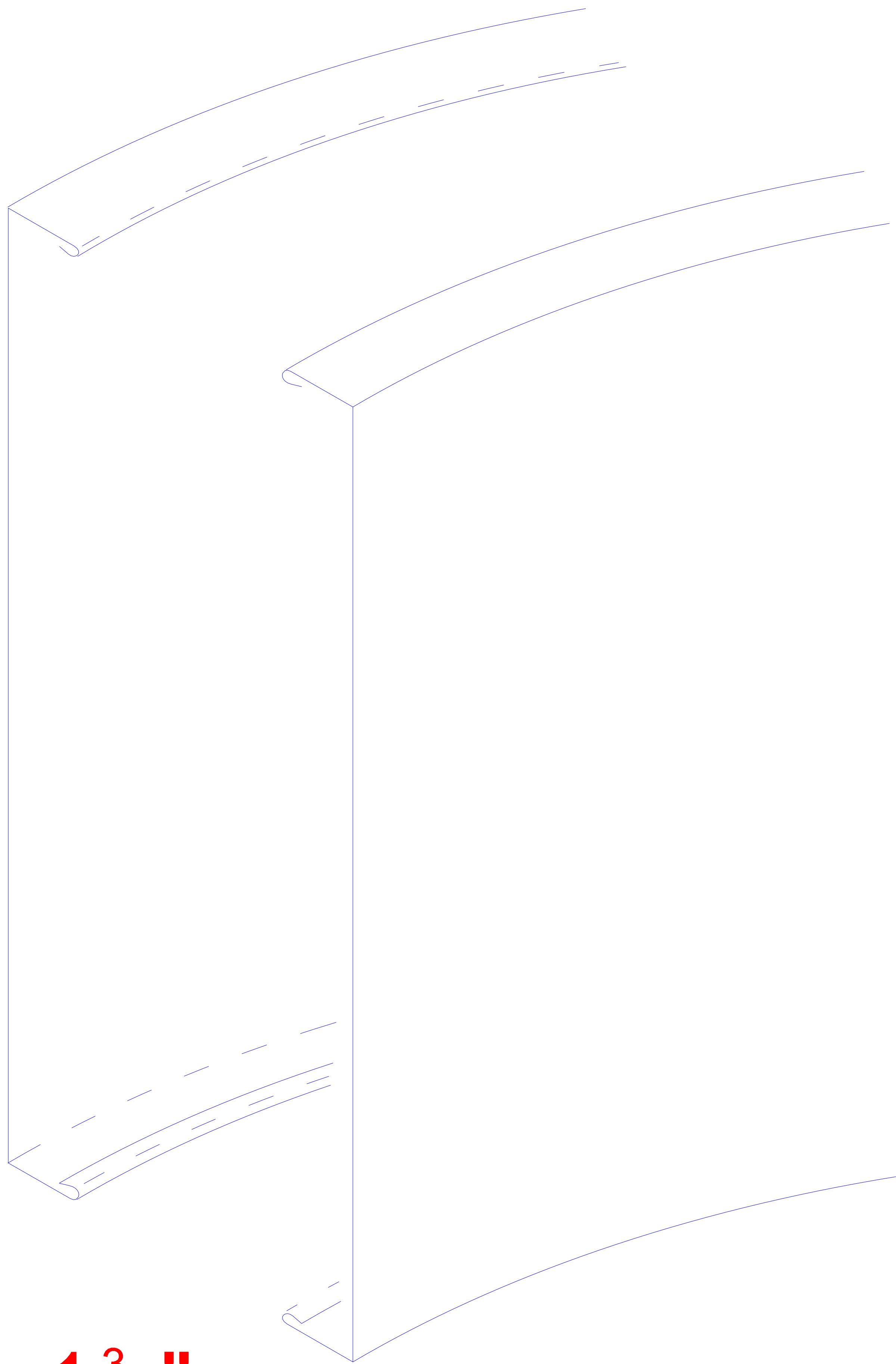
USG Corporation
125 South Franklin Street
Chicago, IL 60606-4678

Architectural and Technical Solutions
800-874-4968

Drawn by: SG
Approved: SM
Revision:
Scale: Not to Scale

Date: June 22, 2006
Date:
Change:
Project:
File: 091500088

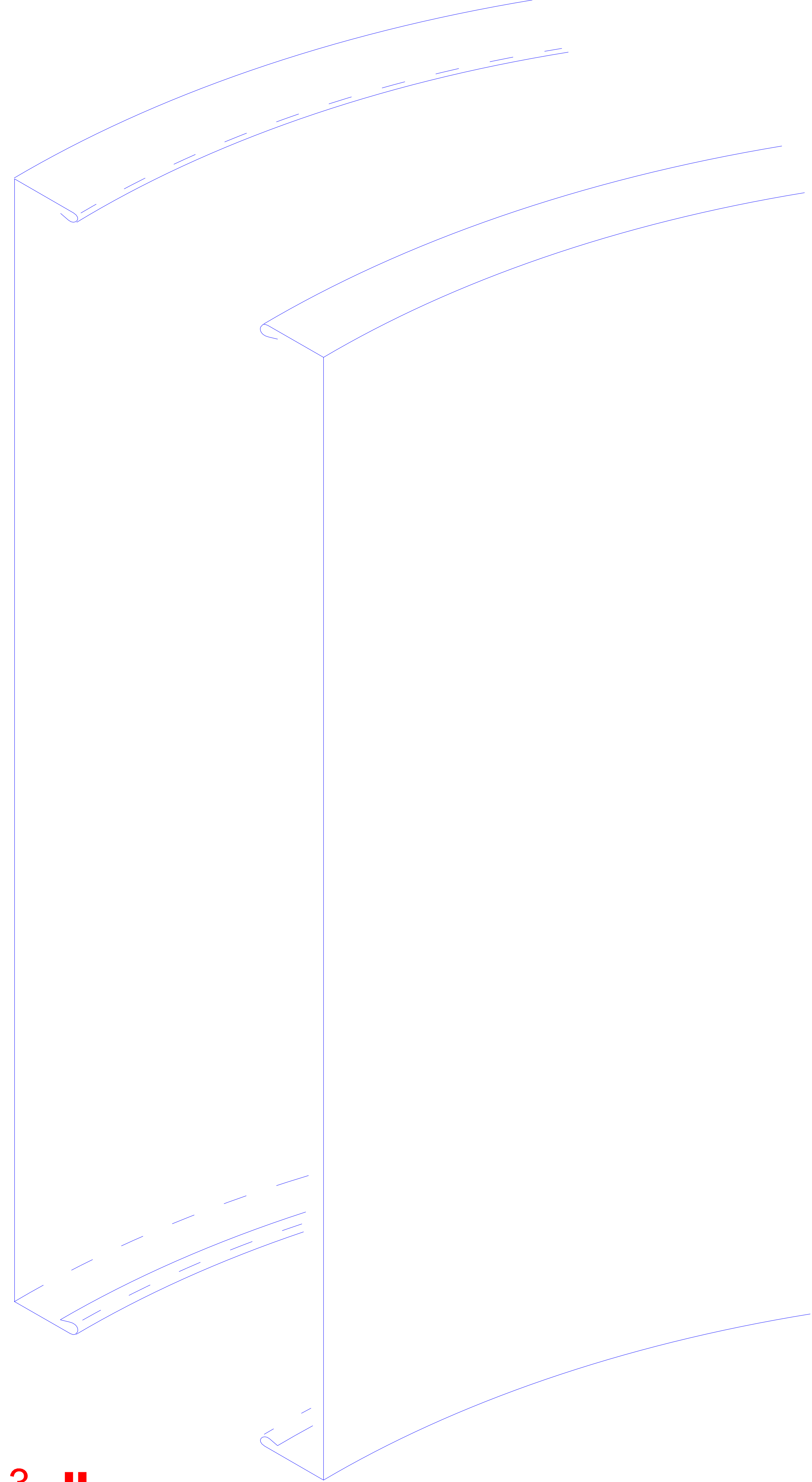
6"



1 ³/₈"

2 ¹/₂"

8"



1 ³/₈"

2 ¹/₂"