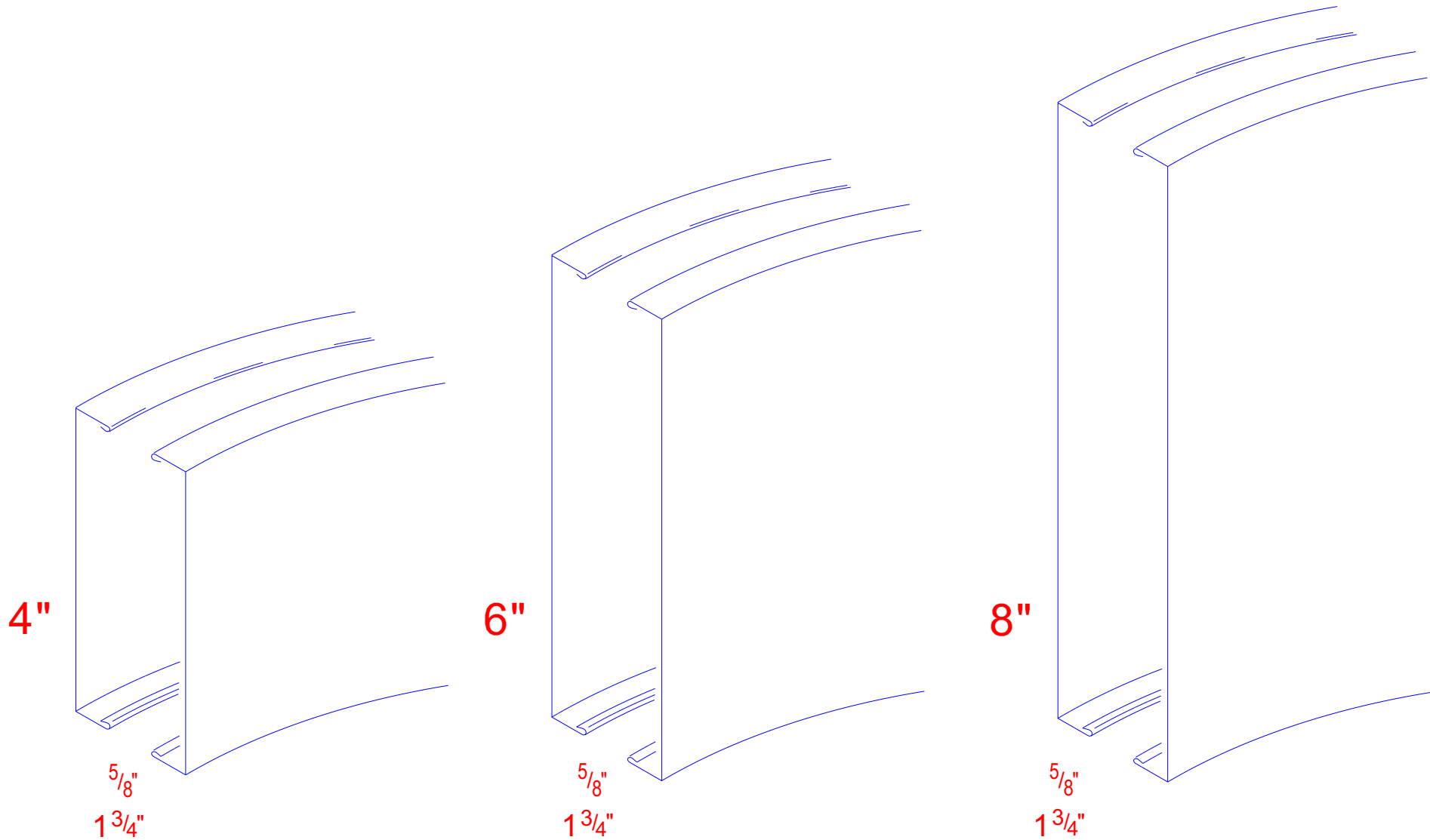


This USG System Detail must not be used without a complete evaluation by owner's design professional to verify the suitability of its use with your specific application.

Construction Solution Details: Narrow Reveal (5/8), 1-3/4 Overall Width



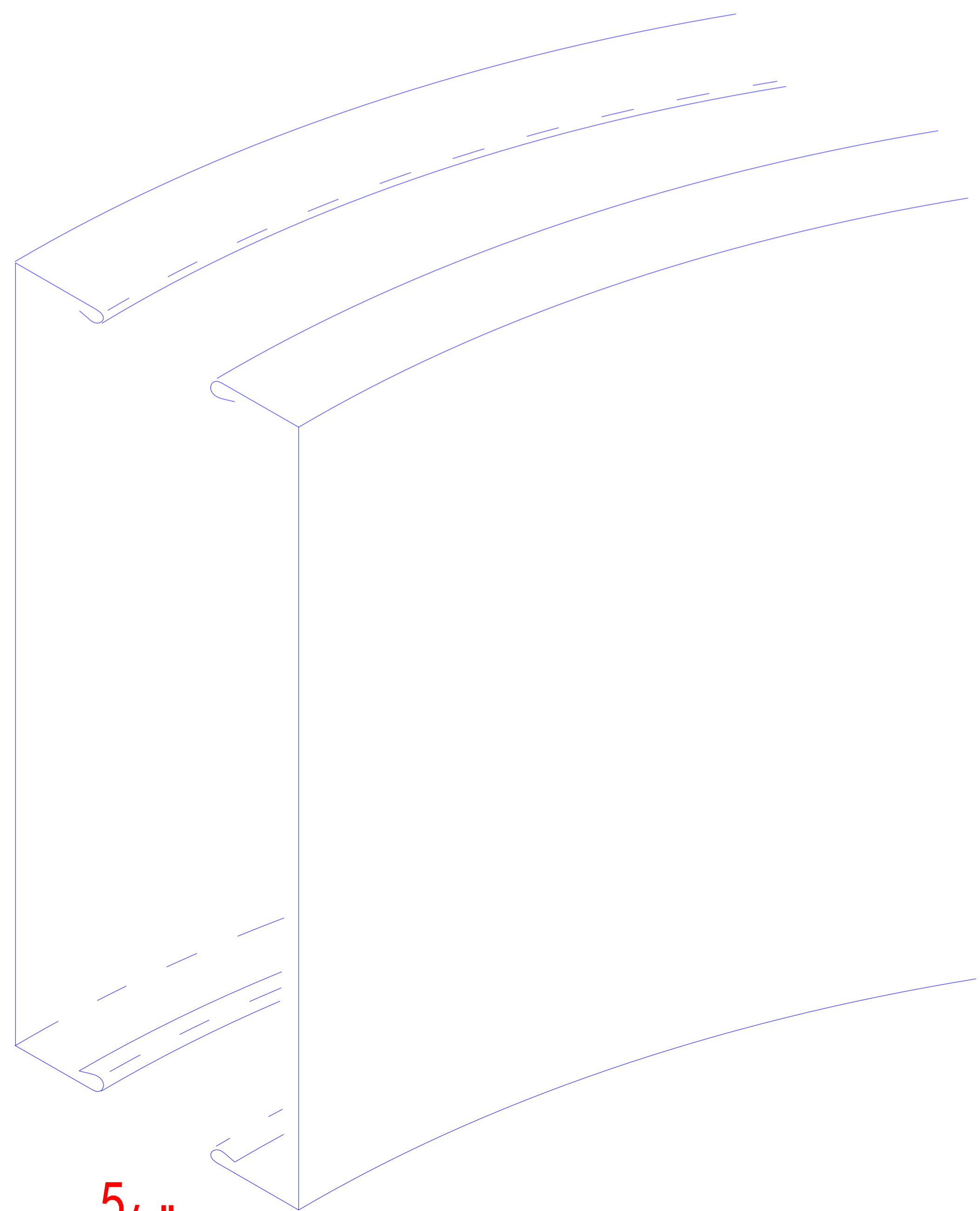
USG Corporation
125 South Franklin Street
Chicago, IL 60606-4678

Architectural and Technical Solutions
800-874-4968

Drawn by: SG
Approved: SM
Revision:
Scale: Not to Scale

Date: June 22, 2006
Date:
Change:
Project:
File: 091500089

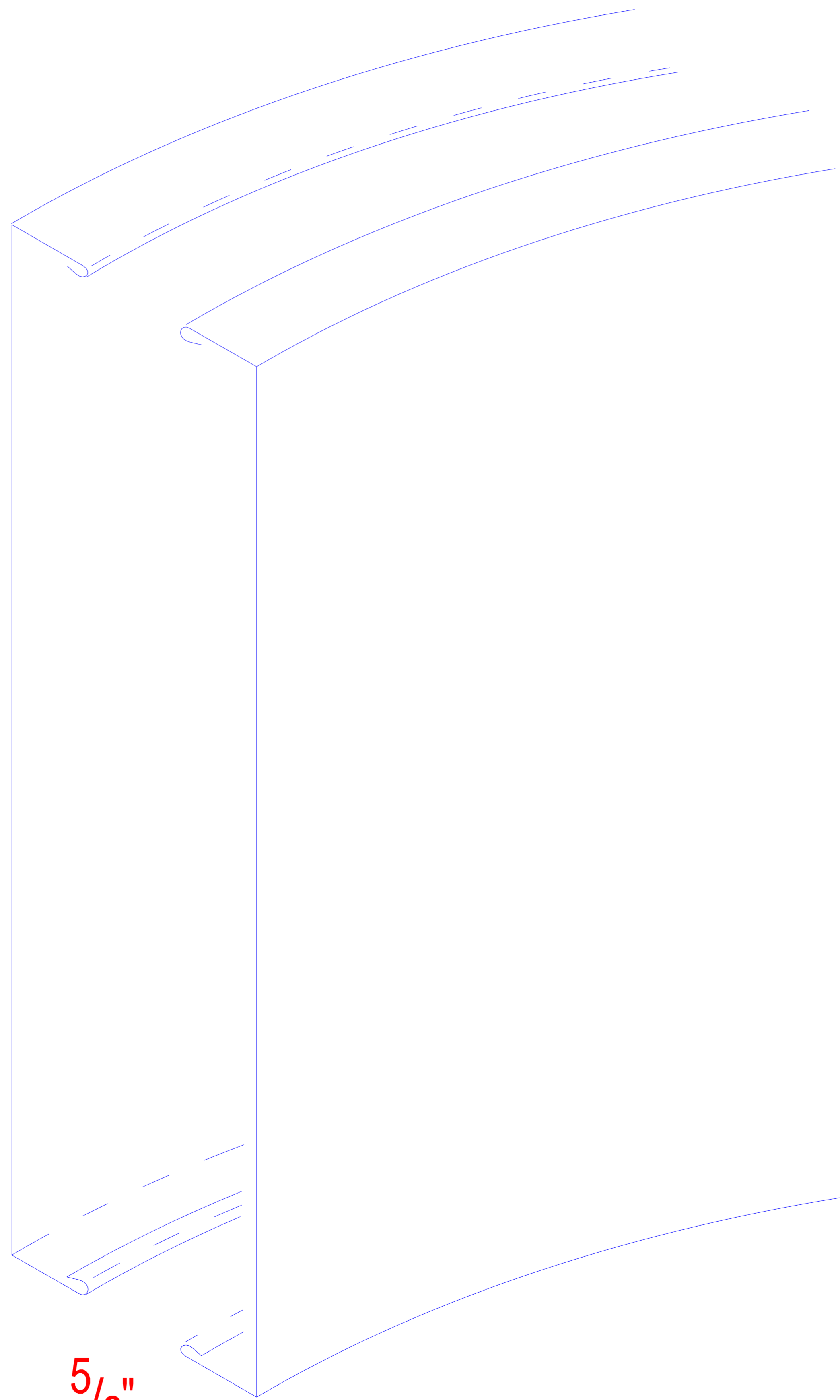
4"



$\frac{5}{8}$ "

$1\frac{3}{4}$ "

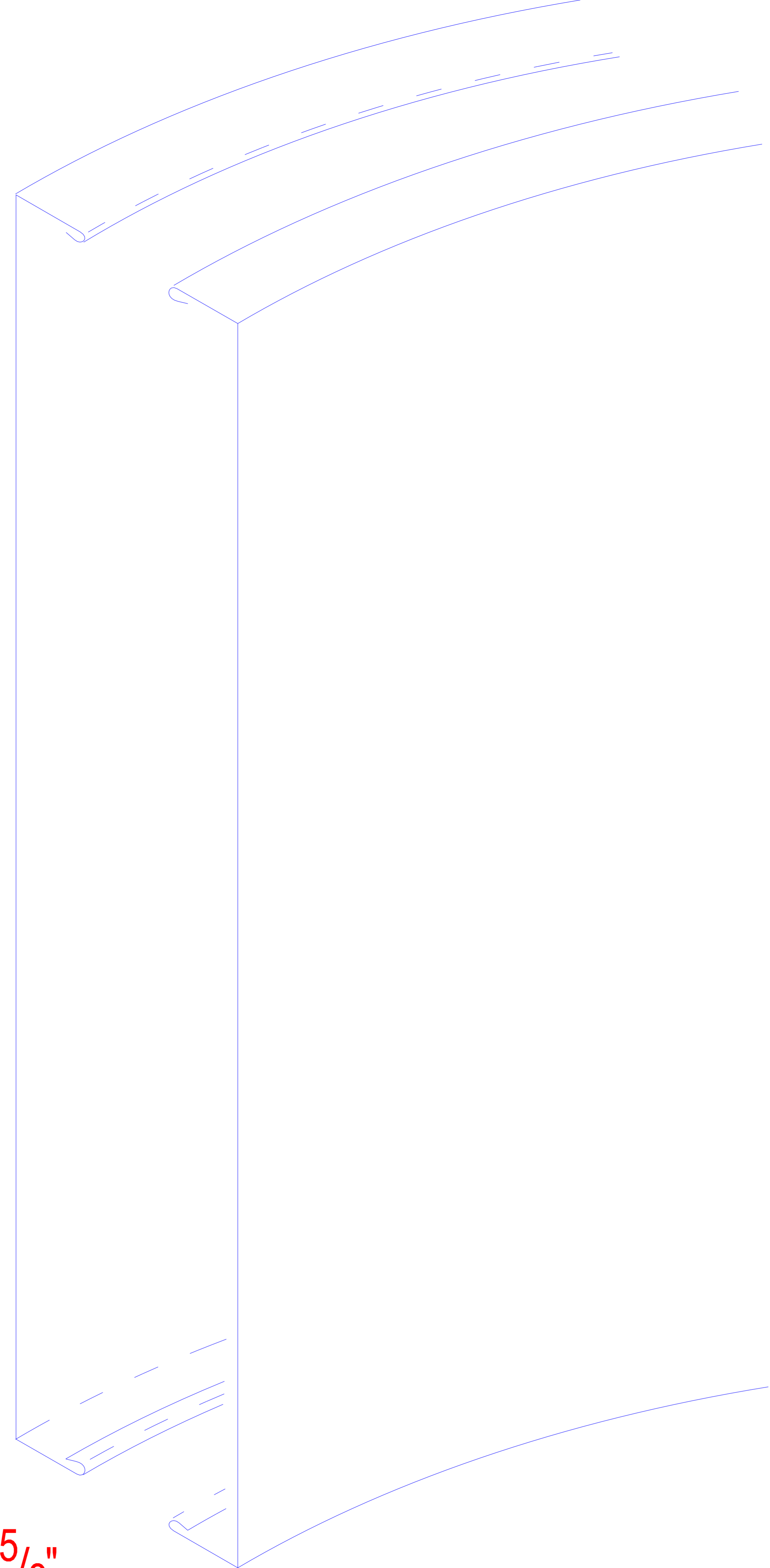
6"



$\frac{5}{8}$ "

$1\frac{3}{4}$ "

8"



$\frac{5}{8}$ "

$1\frac{3}{4}$ "