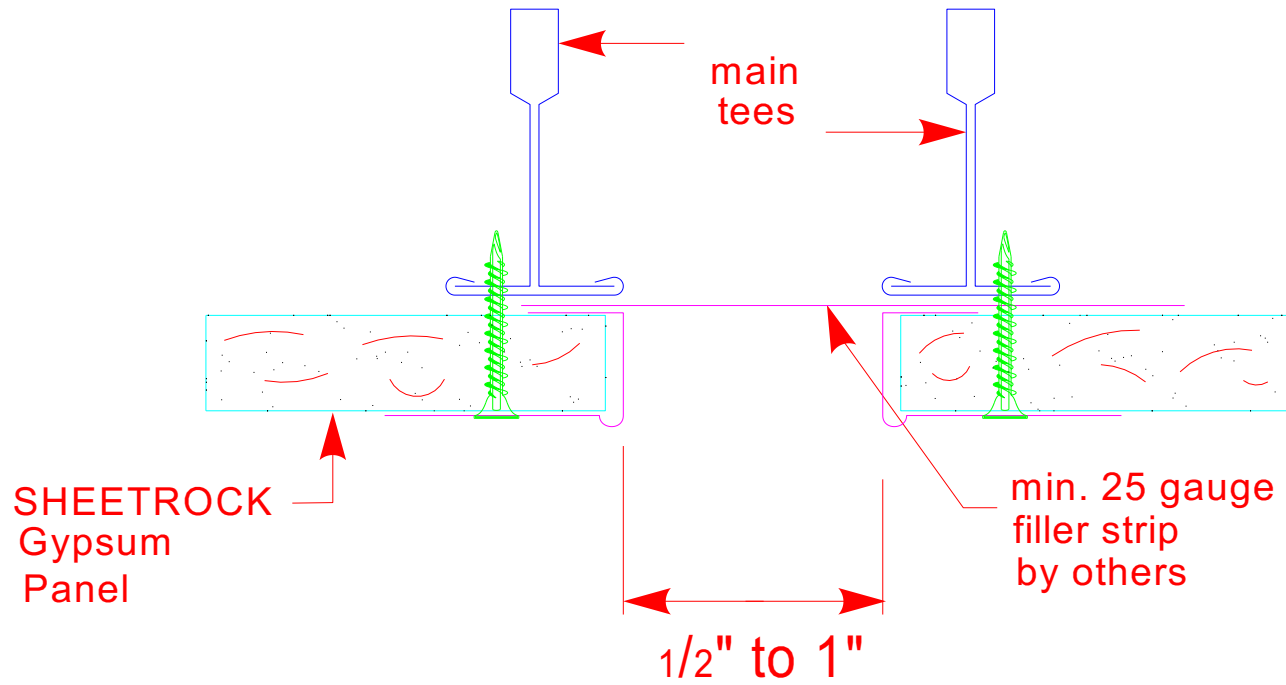


Construction Solution Details: Expansion Joints

This USG System Detail must not be used without a complete evaluation by owner's design professional to verify the suitability of its use with your specific application.



USG Corporation
125 South Franklin Street
Chicago, IL 60606-4678

Architectural and Technical Solutions
800-874-4968

Drawn by: SG
Approved:
Revision: SM
Scale: not to scale

Date: 4-12-05
Date:
Change:
Project: Proj#
File: 093410066

