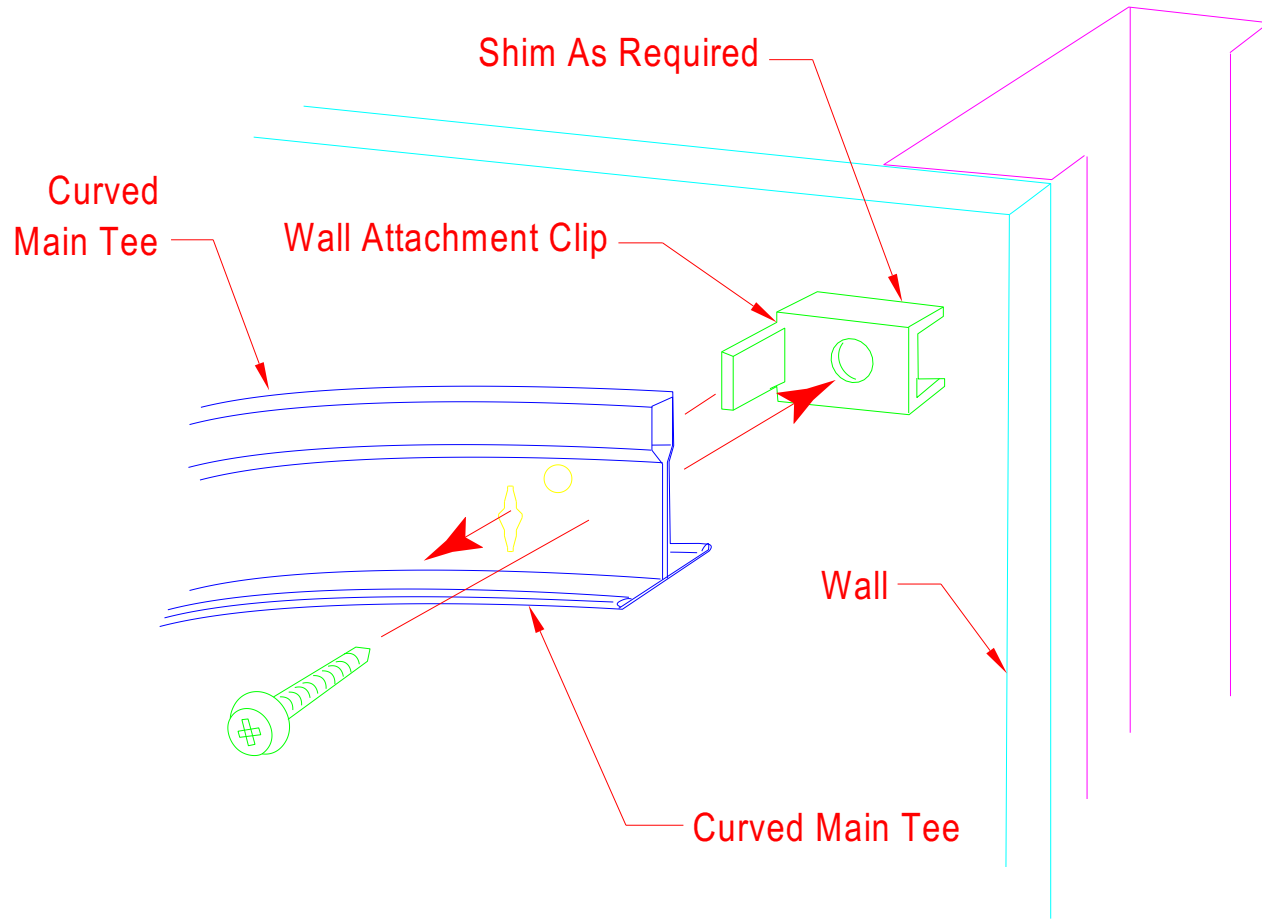


This USG System Detail must not be used without a complete evaluation by owner's design professional to verify the suitability of its use with your specific application.

Construction Solution Details: Drywall Suspension System



Curved Drywall Ceilings

Curved main tee to parallel wall connection
Wall Attachment Clip

AC3152



USG Corporation
125 South Franklin Street
Chicago, IL 60606-4678

Architectural and Technical Solutions
800-874-4968

Drawn by:
Approved:
Revision: KP
Scale:

Date: 4-12-05
Date:
Change:
Project:
File: 093410100

