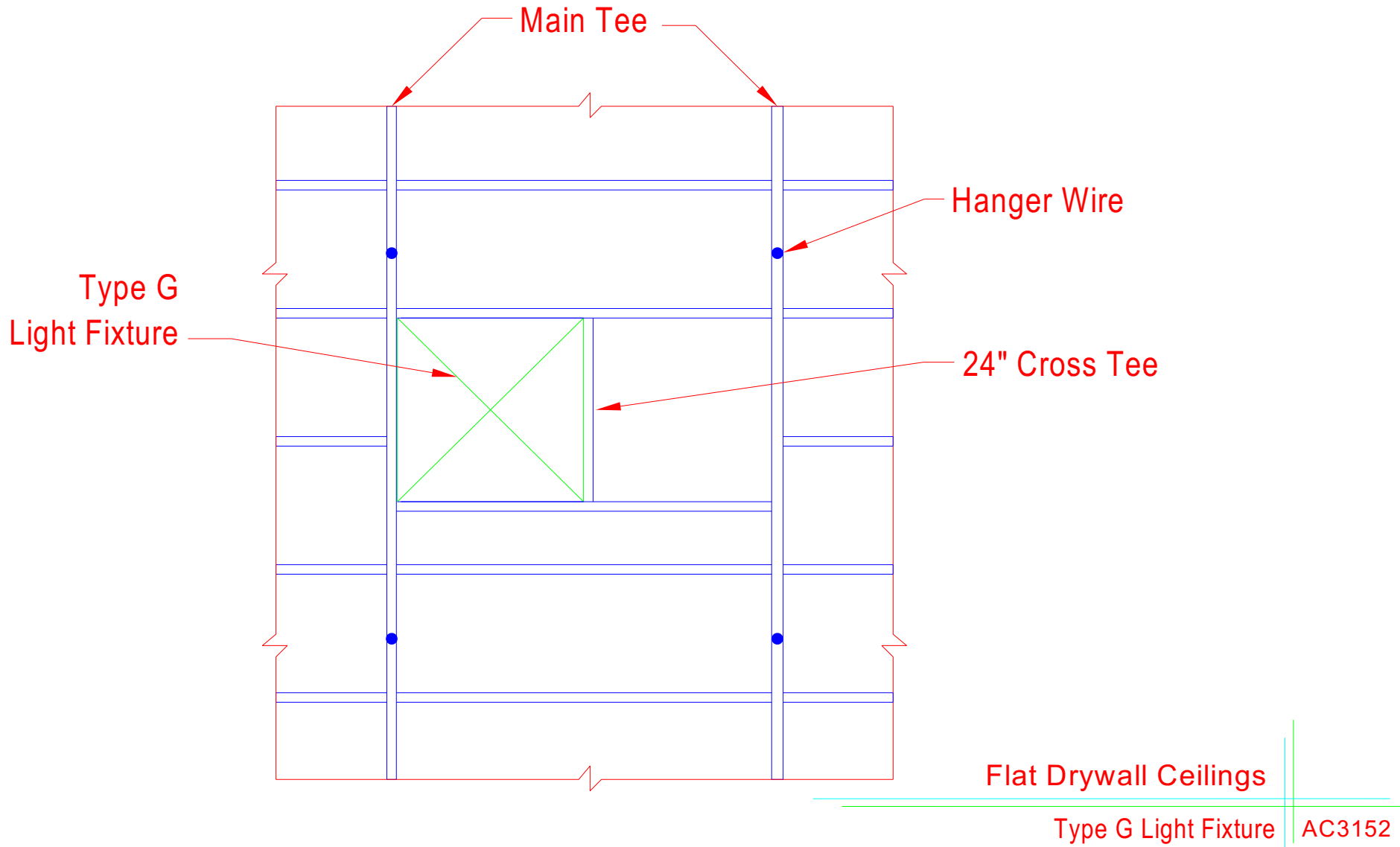


Construction Solution Details: Drywall Suspension System

This USG System Detail must not be used without a complete evaluation by owner's design professional to verify the suitability of its use with your specific application.



USG Corporation
125 South Franklin Street
Chicago, IL 60606-4678

Architectural and Technical Solutions
800-874-4968

Drawn by:
Approved:
Revision: KP
Scale: n.t.s

Date: 03-10-06
Date:
Change:
Project:
File: 093410106

Main Tee

Hanger Wire

Type G
Light Fixture

24" Cross Tee

