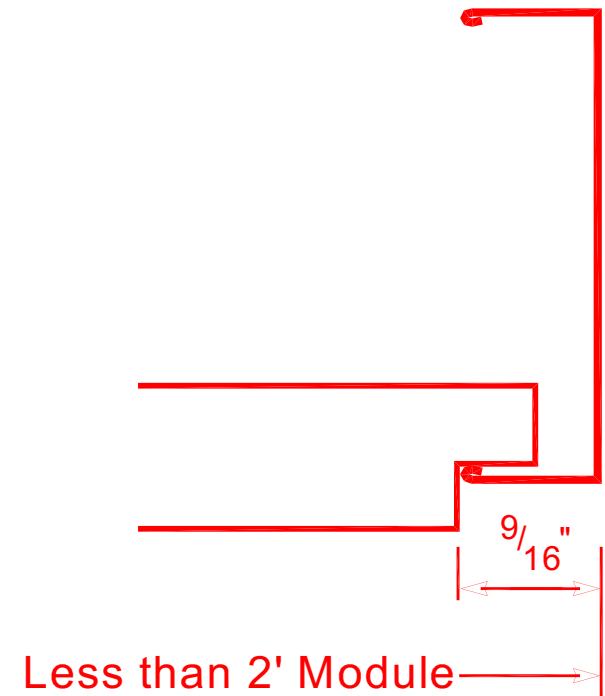
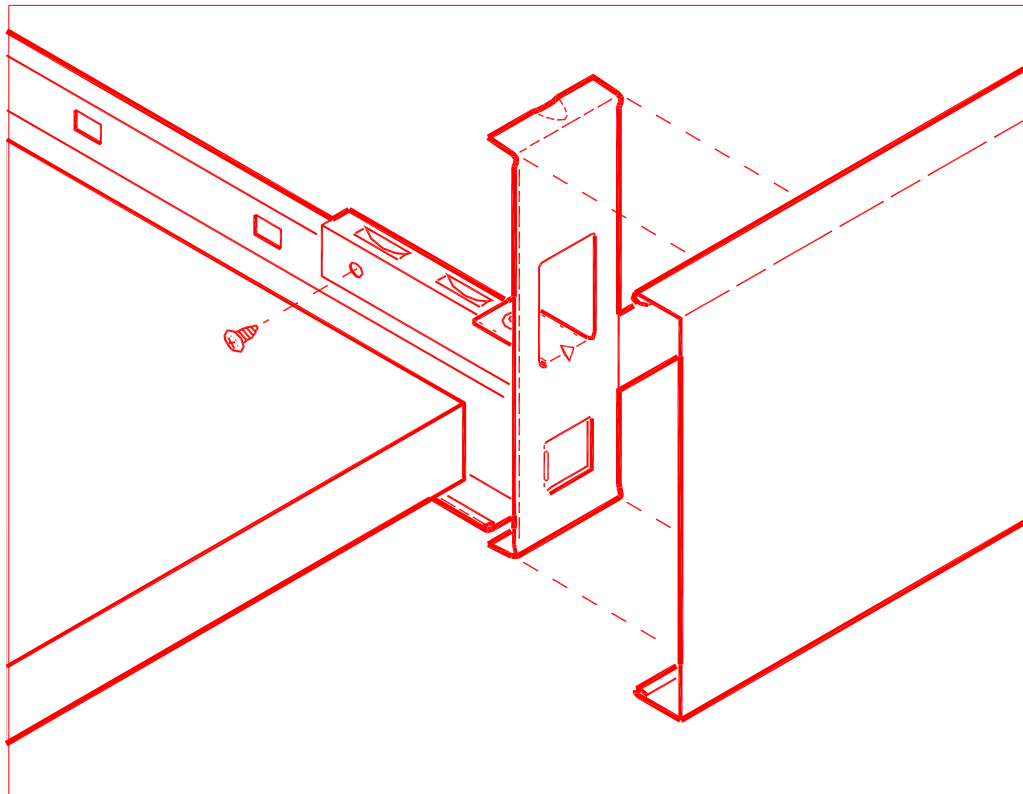


# Construction Solution Details: Edge Detail Capping Suspension Tee

This USG System Detail must not be used without a complete evaluation by owner's design professional to verify the suitability of its use with your specific application.



USG Corporation  
125 South Franklin Street  
Chicago, IL 60606-4678

Architectural and Technical Solutions  
800-874-4968

Drawn by: SG  
Approved: SM  
Revision:  
Scale: Not to Scale

Date: June 22, 2006  
Date:  
Change:  
Project:  
File: 091500083

