



DOWN CE Suspension System/
CLEAN ROOM Panels with CLIMAPLUS Performance—Class 100

LEED Credits

Recycled Content: Up to 60%

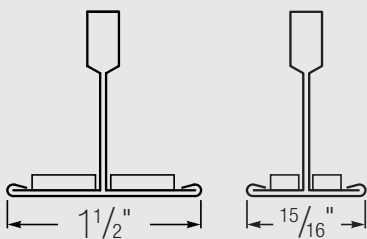
MR				EQ		
Waste Reduction	Recycled Content	Regional Materials	Rapidly Renewable Materials	Low-Emitting Materials	Daylight and Views	Acoustical Performance
●	●	●				

Features and Benefits

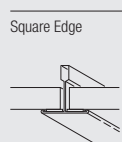
- Grid system with factory-applied closed-cell foam gaskets for controlled-environment rooms
- G30 hot-dipped galvanized body provides unequalled corrosion protection
- Meets or exceeds all national code requirements, including seismic
- Supports cleanroom HEPA filters and lights.
- ICC-ES evaluated approach to seismic design installations (ICC-ESR-1222)

Applications

- Controlled environments
- Hospitals
- Food processing areas
- Certified to meet US Federal Standard 209E Class 100 (ISO 14644 Level 5)



Profile



Edge Detail

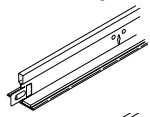
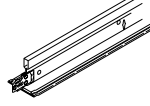
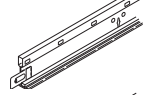
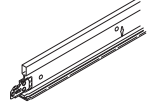
To order samples, go to usg.com



Flat White



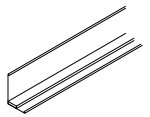
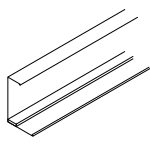
System meets or exceeds load compliance specifications per ASTM C635

	ASTM Class	Length	Height	Item No.	Class	Color	Seismic Zones		Seismic Solutions	Rated Load ^{1,2,3}		
							UBC	IBC	Categories D, E, F Alternate Method	4' Hanger Spacing	5' Hanger Spacing	6' Hanger Spacing
1-1/2" Tee System  	Heavy Duty	12'	1-1/2"	DXWCE26 (up to 60% recycled content) HRC	Class A	Flat White	0-4	A-F	7/8" Molding ACM7 Clip	16 lbs./LF	7.3 lbs./LF	4.9 lbs./LF
		2'	1-1/2"	DXWCE224	Class A	Flat White	0-4	A-F	7/8" Molding ACM7 Clip	65.0 lbs./LF		
										4'	1-1/2"	DXWCE424
15/16" Tee System  	Intermediate Duty	12'	1.64"	DXCE24	Class A	Flat White	0-4	A-F	7/8" Molding ACM7 Clip	12 lbs./LF	6.1 lbs./LF	3.6 lbs./LF
		2'	1-1/2"	DXCE224	Class A	Flat White	0-4	A-F	7/8" Molding ACM7 Clip			
										4'	1-1/2"	DXCE424

New DONN Seismic Solutions

- ICC-ESR-1222
- Meets or exceeds all national code requirements with 7/8" wall molding.
- Fulfills requirements for IBC seismic design categories A-F.

– Certified with maximum sq. ft. weights, representing complete ceiling systems.

Wall Angle	Length	Item No.	Color
Molding^{4,5} 	12'	M7CE (up to 65% recycled content) HRC	Flat White
	10'	US28CE	Flat White

HRC High Recycled Content
 Classified as containing greater than 50% total recycled content. Total recycled content is based on product composition of post-consumer and pre-consumer (post-industrial) recycled content per FTC guidelines.

Physical Data/ Footnotes

Product literature & samples

Data sheet: AC3129.
 Sample: 207901.
Material
 Double-web G30 hot-dipped galvanized steel body and G30 hot-dipped galvanized steel cap.
Recycled content
 Up to 60%, for details, see the LEED report generator at usgdesignstudio.com.
Installation
 Must be installed in compliance with ASTM C636, ASTM E580, CISCA and standard industry practices.
Limitations
 Severe Environmental Requirements: For exposed grids in non-fire-rated

high-humidity applications, use aluminum or ZXLA™ suspension systems. For exterior applications, suspension should be reviewed by a structural engineer.
 Not recommended with metal panels. If metal panels are used, a gasket may be applied to the CE suspension system through special order.
ICC Evaluation Service, Inc., Report Compliance
 Suspension systems manufactured by USG Interiors, Inc., have been reviewed and are approved by listing in ICC-ESR-1222. Evaluation Reports are subject to reexamination, revision and possible cancellation. Please refer to USGDesignStudio.com or 800 USG.4YOU for current reports.

L.A. Research Report Compliance
 DONN brand suspension systems manufactured by USG Interiors, Inc. have been reviewed and are approved by listing in one or more of the following L.A. Research Report numbers: 22179, 23451, 24095, 25764.
The City of New York BSA and MEA Report Compliance
 DONN suspension systems have been approved by listing in one or more of the following City of New York Board of Standards and Appeals, and Department of Building, Material and Equipment Acceptance reports: BSA 618-60-SM, BSA 184-77-SM, BSA 796-81-SM, MEA 366-93-M, MEA 133-95-M, MEA 312-99-M, MEA 123-00-M.

ASTM C635 Standard for Load Compliance
 This system meets or exceeds load compliance specifications per ASTM C635. Main tees will not deflect more than 1/8" over a 48" span (or (L/360) in Light Duty, Intermediate Duty or Heavy Duty categories.
Testing
 Particulate Test and Ceiling Integrity Tests per Federal Standard 209(e) are available from Technical Service.

Footnotes
 1. Load test data shows uniform load in lbs./LF based on simple span tests in accordance with ASTM C635 deflection limit on L/360.
 2. Do not use standard lay-in light fixtures with this system.
 3. HEPA filters must be supported at all four corners of grid module.
 4. For more information on moldings, see Perimeter Interface selector.
 5. Panels must be field-cut to size at the perimeter.

