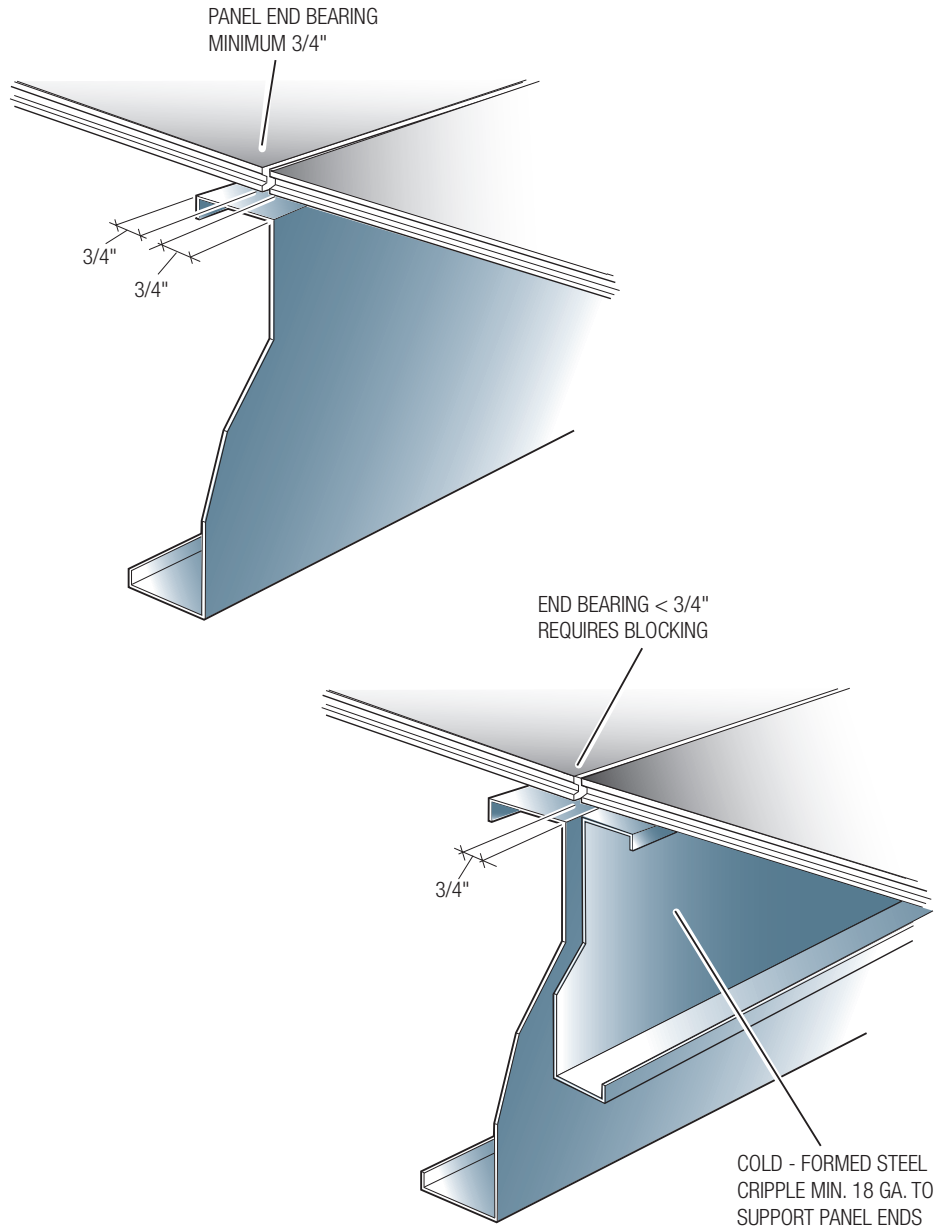


# Structo-Crete™ Structural Concrete Panel

## Floor Assembly Panel Blocking B



**Product Information**  
See [structo-crete.com](http://structo-crete.com) for the most up-to-date product information.

**Trademarks**  
The following trademarks used herein are owned by United States Gypsum

Company or a related company: STRUCTO-CRETE, USG, USG in stylized letters.

**Notice**  
We shall not be liable for incidental or consequential damages, directly or indirectly sustained, nor for any loss

caused by application of these goods not in accordance with current printed instruction or for other than the intended use. Our liability is expressly limited to replacement of defective goods. Any claim shall be deemed waived unless

made in writing to us within thirty (30) days from date it was or reasonably should have been discovered.

**Safety First!**  
Follow good safety/industrial hygiene practices during installation. Wear appropriate personal protective equipment. Read MSDS and literature before specification and installation.