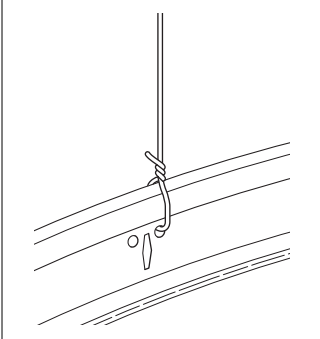
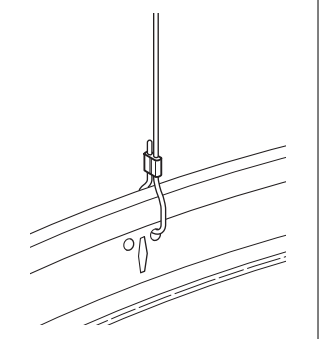
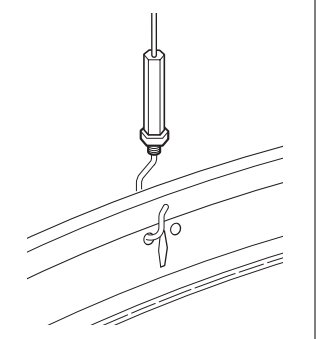


# Exposed Hanger Solutions



## For Decorative Ceiling Elements

Hanger Options	Black-Coated	18-Gauge Stainless Steel Wire with Twisted Tie Connection	1/32" Multi-Stranded Aircraft Cable with Loop and Crimp-End Connection	1/32" Multi-Stranded Aircraft Cable with Turnbuckle
				

**Applications** Suitable for use with C<sup>2</sup> Paired COMPASSO™ Channels, CURVATURA™ and CURVATURA Elite and TOPO™ systems. CURVATURA systems must use infill panels made of solid or perforated aluminum, DIAMONDFLEX™, Brass or Stainless Steel Wire Mesh or TRANSLUCENTS™ LEXAN™ or FRP.

**ASTM Designations**

- 18-Gauge Stainless Steel meets ASTM Designation A580: Standard Specification for Stainless Steel Wire.
- 1/32" Multi-Stranded Aircraft Cable meets ASTM Designation A492: Standard Specification for Stainless Steel Rope Wire.

**Features and Benefits**

- Provides an attractive alternative to standard 12-gauge wires
- Less visible for more finished, discreet appearance
- Installs quickly and easily
- Meets or exceeds manufacturer's recommendations; see load matrix below

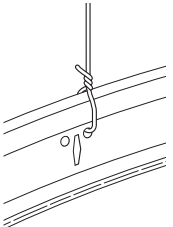
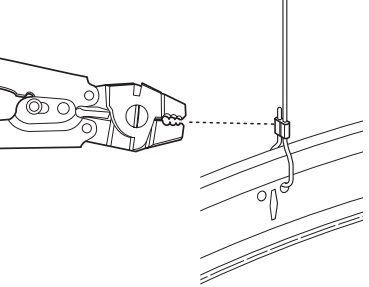
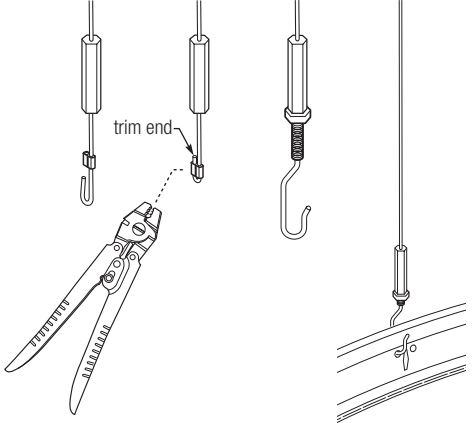
Load Matrix	Infill Panel Options	Required Uniform Load Rating (Lbs./Sq. Ft.)	Uniform Load Carrying Capacity* (Lbs./Sq. Ft.)					
			Hanger Spacing					
			4'		3'		2'	
			18 Ga.	1/32"	18 Ga.	1/32"	18 Ga.	1/32"
<b>CURVATURA System</b>	Aluminum (solid and perforated)	0.5	3.7	6	5	7.5	7	10.5
	DIAMONDFLEX	0.6	3.7	6	5	7.5	7	10.5
	Brass and Stainless Steel Wire Mesh	0.6	3.7	6	5	7.5	7	10.5
	TRANSLUCENTS (LEXAN or FRP)	0.6	3.7	6	5	7.5	7	10.5
<b>TOPO System</b>	TOPO Infill	0.5	3.7	6	—	—	—	—

Trim	Required Uniform Load Rating (Lbs./Lin. Ft.)	Uniform Load Carrying Capacity* (Lbs./Lin. Ft.)						
		Hanger Spacing						
		4'		3'		2'		
		18 Ga.	1/32"	18 Ga.	1/32"	18 Ga.	1/32"	
<b>C<sup>2</sup> Paired COMPASSO Channels</b>	8"	3.5	7.5	11.2	10	15	15	22.5

\*Loads based on minimum strength for wire or loop and crimp-end connection—see reverse side for installation details.  
**Note:** Maximum load per 18-gauge wire = 30 lbs. Maximum load per 1/32" cable = 45 lbs.

Suitability of decorative ceiling hanger devices must be determined by user. These are not to be used where hangers must conform to ASTM C636, "Standard Practice for Installation of Metal Ceiling Suspension System for Acoustical Tile and Lay-In Panels."

<b>Installation</b>	<b>18-Gauge Stainless Steel</b>	<b>Twisted Tie Connection</b>	<b>Detail</b>
		Three complete twists inside 3/8", first loop to third loop.	
	<b>1/32" Multi-Stranded Aircraft Cable</b>	<b>Loop and Crimp-End Connection</b>	<b>Detail</b>
		Feed cable down through one side of oval crimp (USG Part No. 205241), through hanger hole on tee or bracket and back up through other side of oval crimp. Using crimper (USG Part No. 202880), compress oval in smallest notch of tool. Crimp cannot be undone, so be sure tee or bracket is in correct location before pinching oval closed.	
		<b>Turnbuckle Connection</b>	<b>Detail</b>
		Feed cable down through turnbuckle sleeve and into one barrel of oval crimp (USG Part No. 205241); bend cable end to form a hook. Pull bent cable back up, feeding short side of hook into other barrel of oval crimp; trim any excess cable. Using crimper (USG Part No. 202880), compress oval in smallest notch of tool. Draw cable back through turnbuckle sleeve, pulling compressed crimp all the way in.  Screw nut about halfway onto threaded turnbuckle shaft and hook turnbuckle into hanger hole on tee or bracket. Screw sleeve onto threaded turnbuckle shaft and adjust as necessary (turnbuckle provides approximately 3/8" vertical adjustment).	

**Note**

All products described here may not be available in all geographic markets and are subject to change without notice. Consult your local sales office or representative for information.

**Trademarks**

The following are trademarks of USG Interiors, Inc. or a related company: COMPASSO, CURVATURA, DIAMOND FLEX, TOPO, TRANSLUCENTS, USG. LEXAN is a trademark of General Electric Company.

**Notice**

We shall not be liable for incidental or consequential damages, directly or indirectly sustained, nor for any loss

caused by application of these goods not in accordance with current printed instruction or for other than intended use. Our liability is expressly limited to replacement of defective goods. Any claim shall be deemed waived unless made in writing to us within thirty (30) days from date it was or reasonably should have been discovered.

**Safety First!**

Follow good safety and industrial hygiene practices during handling and installation of all products and systems. Take necessary precautions and wear appropriate personal protective equipment as needed. Read material safety data sheets and related literature on products before specification and/or installation.