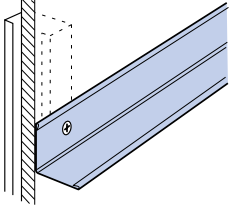
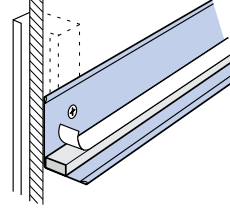
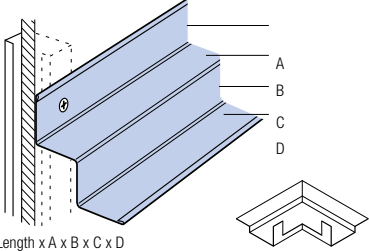


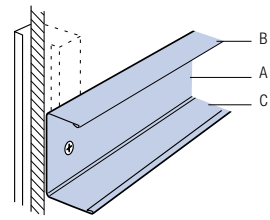
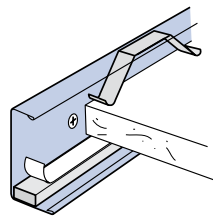
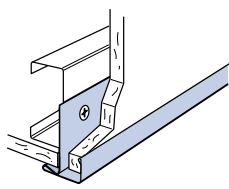
# Suspension Systems Accessories

1. M9 available in colour. For colours other than Flat White and Flat Black, packaging is 240 LF per carton.
2. MS154 and MS174 available in colour. Packaging remains 300 LF per carton. With colours, only the exposed horizontal leg is painted the special colour.

Mouldings	Angle Moulding	Angle Moulding w/Gasket M12CE	Shadow Moulding
	Use for standard ceiling perimeters.	Use in clean room applications with DOWN® brand CE suspension system.	Useful for creating reveals at ceiling perimeters. Also helps to hide imperfections in drywall partitions and bulkheads.
			
			Length x A x B x C x D

	Catalog Number	Description	Packaging/Ctn.		
			LF	Pcs.	Wt. (lbs.)
<b>Angle Moulding</b>	M7A	12' x 7/8" x 7/8" Aluminum Wall Moulding	480	40	26
	M7-10	10' x 7/8" x 7/8" Wall Moulding	500	50	66
	M7Z	12' x 7/8" x 7/8" Hot-Dipped Galvanized Steel Wall Moulding	480	40	58
	M9 <sup>1</sup>	10' x 9/16" x 15/16" Wall Moulding	500	50	60
	M9-24	10' x 9/16" x 15/16" Wall Moulding	240	24	23
	M12	10' x 1" x 1 1/2" Wall Moulding	240	20	40
	MC11A25	10' x 1" x 1" Aluminum Cap Wall Moulding	250	25	39
	M12CE	12' x 1" x 1 1/2" Wall Moulding w/ Gaskets, Flat White	240	20	59
	M20	12' x 1" x 2" Wall Moulding	250	25	55
	M20HD	10' x 1" x 2" Wall Moulding (Heavy-Duty)	250	25	95
	M20SM	10' x 2" x 2" Wall Moulding (Seismic Moulding)	250	25	80
	<b>Shadow Moulding</b>	MS124	12' x 15/16" x 1/4" x 5/16" x 15/16" Shadow Moulding	300	25
MS134		12' x 9/16" x 1/4" x 5/16" x 3/4" Shadow Moulding	300	25	37
MS144		12' x 3/4" x 3/8" x 1/2" x 3/4" Shadow Moulding	300	25	48
MS154 <sup>2</sup>		12' x 7/8" x 3/4" x 3/4" x 7/8" Shadow Moulding	300	25	67
MS164		12' x 3/4" x 3/4" x 3/4" x 3/4" Shadow Moulding	300	25	62
MS174 <sup>2</sup>		12' x 1" x 3/8" x 3/8" x 9/16" Shadow Moulding	300	25	43
MS274		10' x 7/8" x 3/4" x 9/32" x 1-1/4" Seismic Shadow Moulding	200	20	54
MS31		10' x 3/4" x 3/4" x 1/2" x 3/4" Shadow Moulding	300	30	57

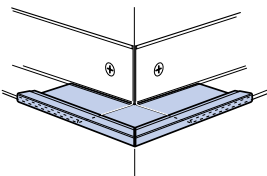
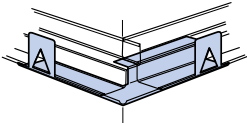
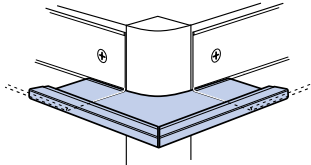
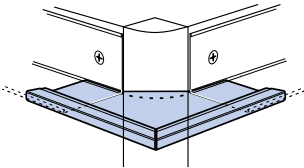
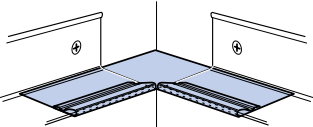
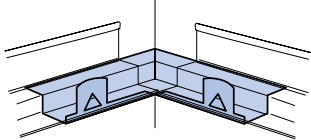
# Suspension Systems Accessories

US Channel Wall Moulding	US Channel Wall Moulding w/Gasket US28CE	F-Moulding
<p>Use with C-8 clip to hold down perimeter ceiling panels.</p>  <p>Length x A x B x C</p>	<p>Use with C-8 clip in cleanroom application with DOWN CE suspension system.</p> 	<p>Use F-moulding to create ceiling "breaks," soffits; changes in elevation.</p> 


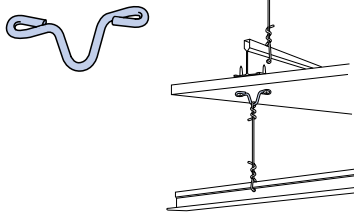
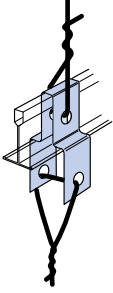
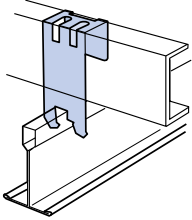
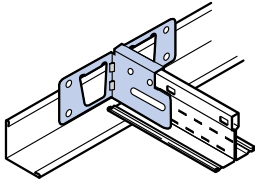
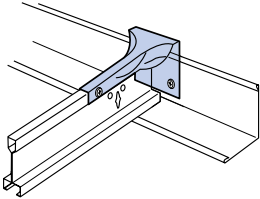
	Catalog Number	Description	Packaging/Ctn.		
			LF	Pcs.	Wt. (lbs.)
<b>US Channel Wall Moulding</b>	US8	10' x 1/2" x 1/2" x 1" U-Moulding	300	30	20
	US10	10' x 5/8" x 1/2" x 1" U-Moulding	300	30	21
	US12	10' x 3/4" x 1/2" x 1" U-Moulding	500	50	44
	US20	10' x 1-1/4" x 1/2" x 1" U-Moulding	300	30	57
	US25	12' x 1-9/16" x 1/2" x 1" U-Moulding	168	14	37
	US31	10' x 1-15/16" x 1/2" x 1" U-Moulding	300	30	70
	UA25	10' x 1-9/16" x 1/2" x 1" Aluminum U-Moulding	300	30	33
	US28CE	10' x 1-11/16" x 1/2" x 1" U-Moulding w/ gaskets, Flat White	300	30	63
<b>F-Moulding</b>	MF8	10' x 1/2" F-Moulding (for 1/2" panels)	100	10	28
	MF10	10' x 5/8" F-Moulding (for 5/8" panels)	100	10	29

For information about the C-8 clip, see page 222.

# Suspension Systems Accessories

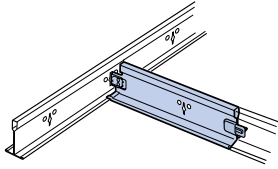
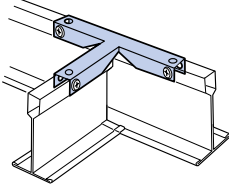
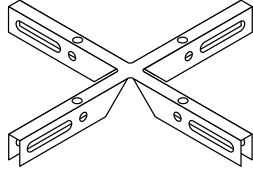
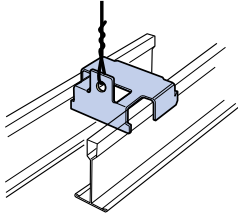
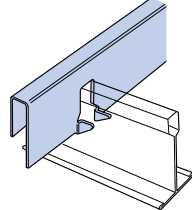
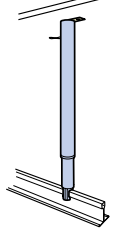
Moulding Accessories	Square-Moulding Corner Clip JS	Outside Corner JS174	Radius-Moulding Corner Clip JH, JB
	Use with angle moulding. 	Use with MS174 shadow moulding. 	Use for radius or "bullnose" corners. 
	Field-Modified Corner JM16	Inside-Corner Angle Mould A2	Prefabricated Shadowline Corners
	Cut clip to fit field condition. 	Use with angle moulding. 	

	Catalog Number	Description	Packaging/Ctn.	
			Pcs.	Wt. (lbs.)
<b>Flat Corners</b>	JS9	Square 90° Outside Corner Cap for 9/16" Moulding	100	3
	JS14	Square 90° Outside Corner Cap for 7/8" Moulding	100	3
	JS16	Square 90° Outside Corner Cap for 1" Moulding	100	3
	JS174	Square 90° Outside Corner Cap for MS174 Shadow Moulding	50	1.5
	JH9	1" Radius 90° Outside Corner Cap for 9/16" Moulding	100	3
	JH12	1" Radius 90° Outside Corner Cap for 3/4" Moulding	100	3
	JH14	1" Radius 90° Outside Corner Cap for 7/8" Moulding	100	3
	JH15	1" Radius 90° Outside Corner Cap for 15/16" Moulding	100	3
	JH16	1" Radius 90° Outside Corner Cap for 1" Moulding	100	3
	JB14	3/4" Radius 90° Outside Corner Cap for 7/8" Moulding	100	3
	JB16	3/4" Radius 90° Outside Corner Cap for 1" Moulding	100	3
	JM16	Field-Modified Corner for 1" Moulding	100	3
	A2	Inside Corner Cap for 7/8" Moulding	200	4
<b>Shadowline</b>	A134-7	Inside Corner Cap for MS134 Shadow Moulding (3/4" Leg)	50	1.5
	JS134-7	Square 90° Outside Corner Cap for MS134 Shadow Moulding (3/4" Leg)	50	1.5
	A134-9	Inside Corner Cap for MS134 Shadow Moulding (9/16" Leg)	50	1.5
	JS134-9	Square 90° Outside Corner Cap for MS134 Shadow Moulding (9/16" Leg)	50	1.5
	A174	Inside Corner Cap for MS174 Shadow Moulding	50	1.5
	A274	Inside Corner Cap for MS274 Shadow Moulding	50	1.5
	JS274	Square 90° Outside Corner Cap for MS274 Shadow Moulding	50	1.5

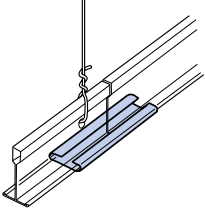
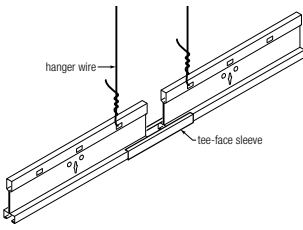
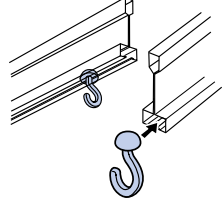
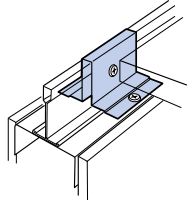
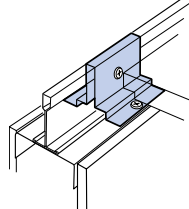
<b>Grid Installation Accessories</b>	<b>Galvanized Hanger Wire</b> A Use to suspend acoustical ceilings. Also use for flat and curved CGC drywall suspension system. 	<b>Drywall Grid Hanger Clip</b> B Use to suspend secondary ceiling. 	<b>Grid Load Transfer Bracket</b> C Use to suspend secondary ceiling 
	<b>Furring Clip for Grid to Channel</b> D Use to connect grid to 1-1/2" channel. 	<b>Seismic Attachment Clip for DX to Wall Angle</b> E Use to attach grid at perimeter to avoid the use of pop rivets. 	<b>Moulding Attachment Clip</b> F 

	Catalog Number	Description	Packaging/Ctn.		Detail Key
			Pcs.	Wt. (lbs.)	
<b>Galvanized Hanger Wire</b>	907230	12-Gauge Wrapped 12 ft.; 50 lb. bundle	144	50	A
	900225	12-Gauge Wrapped 4 ft.	100	12	A
<b>Grid to Primary Support</b>	DGHC	Drywall Grid Hanger Clip	100	1.5	B
	256860	Grid Load Transfer Bracket, 15/16" grid	250	13	C
	256861	Grid Load Transfer Bracket, 9/16" grid	250	13	C
	256862	Grid Load Transfer Bracket, 1-1/2" grid	250	13	C
	V14	Furring Clip for Grid to Channel	500	45	D
<b>Grid to Moulding</b>	ACM7	Seismic Attachment Clip to Wall Angle	100	7	E
	MAC2	Moulding Attachment Clip	100	3	F

# Suspension Systems Accessories

<b>Grid Installation Accessories</b>	<b>MT/CT Converter</b> <b>G</b> Converter changes main-tee direction 90° from adjacent main tee. 	<b>3-Way Off-Module Connector</b> <b>H</b> Use with cross tees and main tees that are the same height. 	<b>4-Way Seismic Expansion Joint Clip</b> <b>I</b> Use with cross tees and main tees that are the same height. 
	<b>Paired Main-Tee Clip</b> <b>J</b> Use for linear air diffusers; use only with DX®/DXL™, DXT, ZXLA™, FINELINE® (DXF), FINELINE® 1/8 (DXFF), and CENTRICTEE™ (DXT/DXLT). 	<b>Stabilizer Bar</b> <b>K</b> Use to stabilize grid installation without cross tees. 	<b>Seismic Compression Post</b> <b>L</b> #AC275. Listed with ICBO Report #2244. 

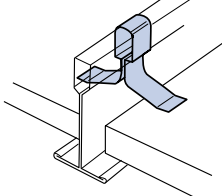
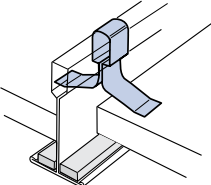
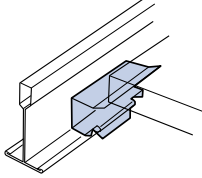
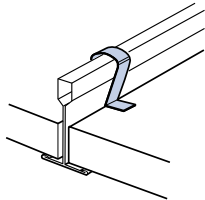
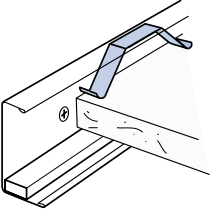
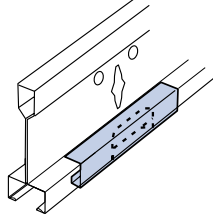
	Catalog Number	Description	Packaging/Ctn.			Detail Key
			LF	Pcs.	Wt. (lbs.)	
<b>Tee-to-Tee</b>	DXMT/CT	9" x 1-1/2" MT/CT Converter, changes MT direction	45	60	13	G
	DH3	3-Way Off-Module Connector	-	100	3	H
	DH4	4-Way Seismic Expansion Joint Connector	-	100	4	I
	V-32	Paired Main-Tee Clip (2" separation center to center)	-	100	3	J
<b>Stabilizer Bars</b>	SB12	18" Stabilizer Bar	200	200	27	K
	SB24	2' Stabilizer Bar	400	200	52	K
	SB36	3' Stabilizer Bar	300	100	40	K
	SB48	4' Stabilizer Bar	400	100	50	K
	SB48-24	4' Stabilizer Bar notched 2' on center	400	100	50	K
	SB60	5' Stabilizer Bar	500	100	64	K
	CC15-4-2	4' Stabilizer Bar notched 2' on center	200	50	27	K
<b>Seismic Compression Posts</b>	VSA18/30	Adjustable 18" to 30"	-	1	2.0	L
	VSA30/48	Adjustable 30" to 48"	-	1	2.5	L
	VSA48/84	Adjustable 48" to 84"	-	1	4.5	L
	VSA84/102	Adjustable 84" to 102"	-	1	7.5	L

<b>Grid Installation Accessories</b>	<b>Standard-Face Tee-Face Sleeve</b> M Use to cut in tees to existing system. Available for 15/16" and 9/16" systems.	<b>FINELINE Tee-Face Sleeve</b> N Use to cut in tees to existing system. Available for 1/4"- and 1/8"- reveal systems.	<b>Accessory Hanger Hook</b> P Remove top clip for use with standard 1/4" FINELINE suspension system.
			
	<b>Partition Attachment Clip</b> Q1 Use for square-edge panels.	<b>Partition Attachment Clip</b> Q2 Use with reveal-edge panels.	
			

	Catalog Number	Description	Packaging/Ctn.		Detail Key
			Pcs.	Wt. (lbs.)	
<b>Tee Accessories</b>	TFS-1	Tee-Face Sleeve (3" long) for 15/16" DX/DXL Systems	250	10	M
	TFS-2	Tee-Face Sleeve (3" long) for 9/16" DXT Systems	250	10	M
	TFS-3	Tee-Face Sleeve (3" long) for DXF Systems with 1/4" Reveal	250	10	N
	TFS-4	Tee-Face Sleeve (3" long) for DXFF Systems with 1/8" Reveal	250	10	N
	TFC-1	Tee-Face Cover (2" long)	100	1	O
	AH1	Accessory Hanger Hook (white injection moulded)	50	1	P
<b>Partition Attachment</b>	PAC15-SQ	Partition Clip for 15/16" or 9/16" SQ panels (245339)	100	8	Q1
	PAC15-SL	Partition Clip for 15/16" SL panels (254340)	100	8	Q2
	PAC 9-FL	Partition Clip for 9/16" FL panels (254341)	100	8	Q2

# Suspension Systems Accessories

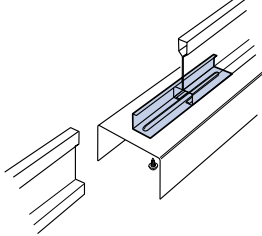
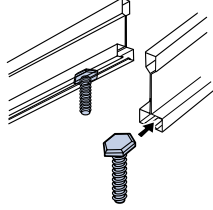
## Grid Installation Accessories

<p><b>Hold-Down Clip—Fire-Rated Grid</b> Q1</p> <p>Use when required in some fire-rated assemblies.</p> 	<p><b>Hold-Down Clip</b> Q2</p> <p>Use to maintain a cleanroom seal with DOWN CE suspension system.</p> 	<p><b>Accessible Hold-Down Clip</b> R</p> <p>Use as a hold-down clip for 5/8" panels. Provides ready accessibility.</p> 
<p><b>Variable Hold-Down Clip</b> S</p> <p>Use for 5/16" to 3/4" panels.</p> 	<p><b>Wall Spring Clip</b> T</p> <p>Use to hold down perimeter ceiling panels. Useful for maintaining cleanroom seal with US28CE moulding.</p> 	<p><b>Miter Closure Clip for FINELINE system</b> U</p> <p>For closing off unused miters.</p> 

	Catalog Number	Description	Packaging/Ctn.		Detail Key
			Pcs.	Wt. (lbs.)	
<b>Hold-Down Clips</b>	L15	Hold-Down Clip—for 5/8" fire-rated panels	1000	7	Q1
	L15CE	Hold-Down Clip—for panels in cleanroom applications	500	3.5	Q2
	L45	Accessible Hold-Down Clip for 5/8" panels	1000	15	R
	V15	Variable Hold-Down Clip	1000	8	S
	C-8	Wall Spring Clip	2000	29	T
	C-8CE	Wall Spring Clip (same clip as C-8; smaller quantity)	500	8	T
	MCC3	2" Miter Closure Clip for 1/8" FINELINE suspension system	50	1	U
	MCC2	2" Miter Closure Clip for standard FINELINE suspension system	50	1	U

# Suspension Systems Accessories

**Notes**  
C-8CE is the same clip in smaller quantity.

<b>Grid Installation Accessories</b>	<b>Partition Attachment Clip</b> V	<b>T-Bolt</b> W	
	Use for closing off unused miters. 	Use to bolt-attach partitions, signage or pendant-mounted indirect lighting. 	

	Catalog Number	Description	Packaging/Ctn.		Detail Key
			Pcs.	Wt. (lbs.)	
<b>FINELINE Accessories</b>	MCC3	2" Miter Closure Clip for 1/8" FINELINE suspension system	50	1	V
	MCC2	2" Miter Closure Clip for standard FINELINE suspension system	50	1	V
	MAC2	Moulding Attachment Clip for FINELINE suspension system	100	3	W
	PAC1	3" Partition Attachment Clip	50	1	V
	TB1	1" x 1/4" - 20 T-Bolt	100	1	W

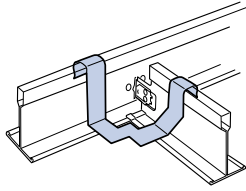


# Suspension Systems Accessories

**Light-Fixture Accessories**

**Light-Fixture Clip**

For CENTRICITEE suspension system; use black clips with parabolic fixtures. Cross tee must be connected to main tee.

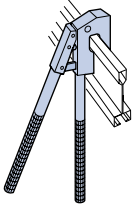
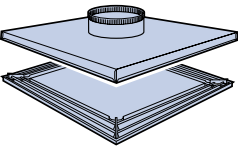


	Catalog Number	Description	Packaging/Ctn.	
			Pcs.	Wt. (lbs.)
<b>Light-Fixture Clip</b>	LFC	Light-fixture Clip (specify Flat White or Flat Black)	100	2

# Suspension Systems Accessories

**Notes**

\* One carton contains six 12-oz. cans. Paints will not be shipped air freight.

<b>Miscellaneous Accessories</b>	<b>Hand-Held Field Cross-Tee Hold Tool</b>	<b>Air Diffuser</b>
	For all DOWN suspension systems. 	Field-cut foil-backed ceiling panel to fit diffuser face. Use with FINELINE and CENTRICITEE suspension systems. 

	Catalog Number	Description	Packaging/Ctn.	
			Pcs.	Wt. (lbs.)
<b>Cross-Tee Hole Punches</b>	215738	Universal Field Cross-Tee Hole Tool	1	30
	200308	Hand-Held Cross-Tee Hole Tool	1	5
	204755	Replacement Die Block for Universal Cross-Tee Tool	1	1
	276759	Replacement Die Block for Hand-Held Cross-Tee Tool	1	1
	214418	Replacement Punch for Universal Cross-Tee Tool	1	1
	276760	Replacement Punch for Hand-Held Cross-Tee Tool	1	1
<b>Touch-Up Paint</b>	B14	Flat Black Spray Paint (205)*	6	7
	B13	Flat White Spray Paint (050)*	6	7
<b>Air Diffusers</b>	AD16	2' x 2' 1 Slot with 6" Collar	1	7
	AD18	2' x 2' 1 Slot with 8" Collar	1	7
	AD26	2' x 2' 2 Slot with 6" Collar	1	8
	AD28	2' x 2' 2 Slot with 8" Collar	1	8
	AD38	2' x 2' 3 Slot with 8" Collar	1	8
	AD310	2' x 2' 3 Slot with 10" Collar	1	9
	AD410	2' x 2' 4 Slot with 10" Collar	1	10
	AD412	2' x 2' 4 Slot with 12" Collar	1	10

Recommended for use with 9/16" systems