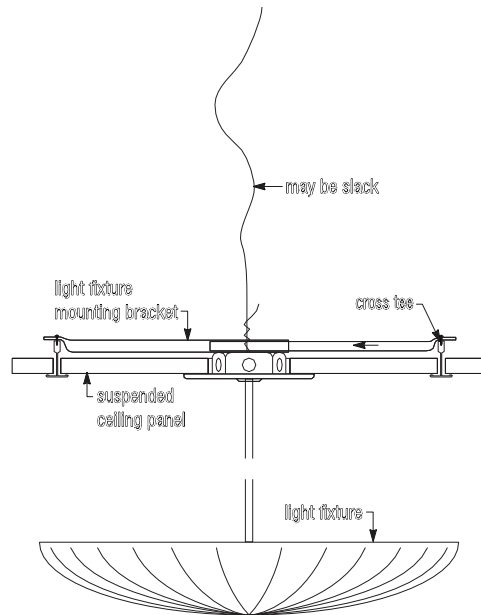


Pendant-Hung Fixtures—IBC Categories D,E,F



© USG Corporation