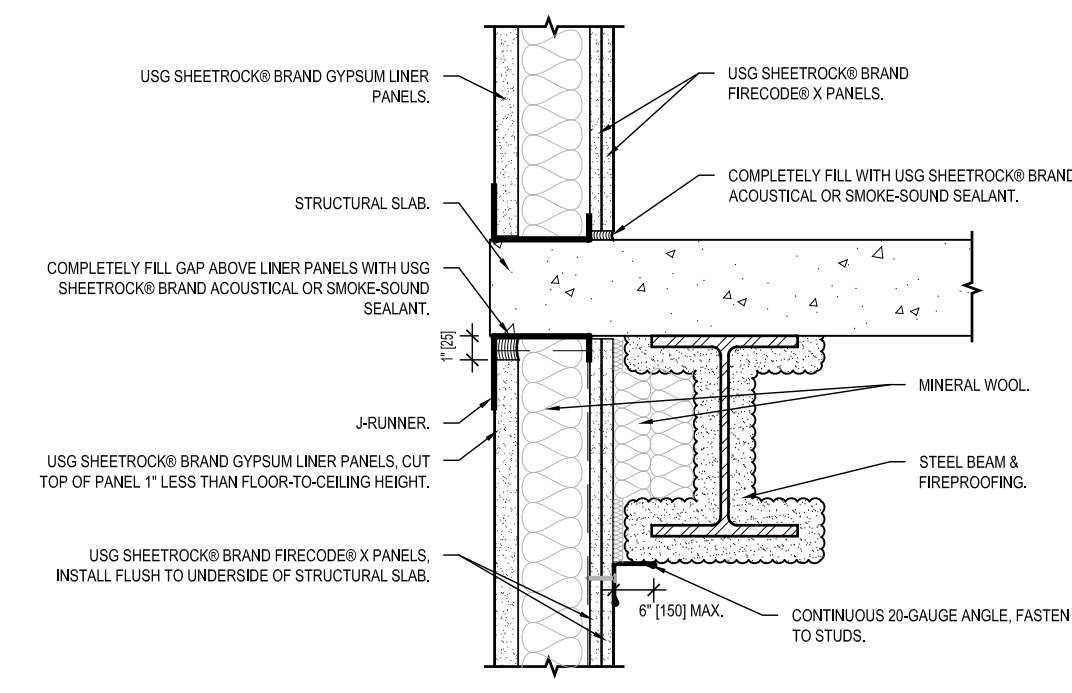
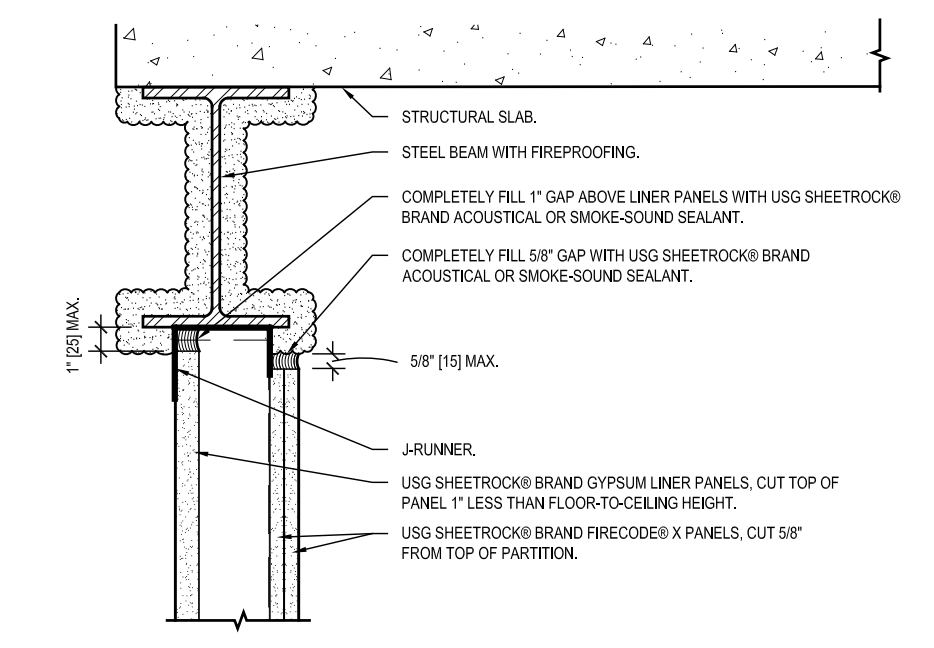


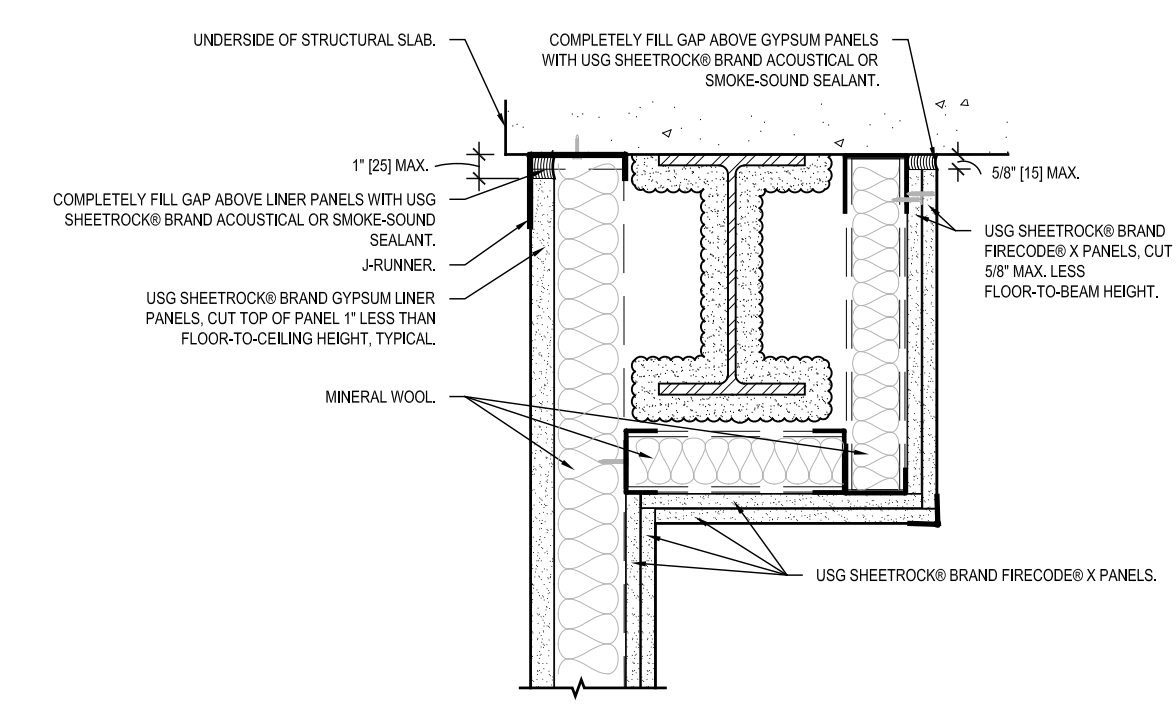
4 (1-HR AND 2-HR)
HEAD OF WALL UL HW-D-0611
 Scale: 1 1/2"=1'-0"
REFERENCE CURRENT UL JOINT SYSTEM DIRECTORY FOR ALL GENERAL INFORMATION, MATERIAL DESIGNATIONS, THICKNESS AND FIRE RATINGS.



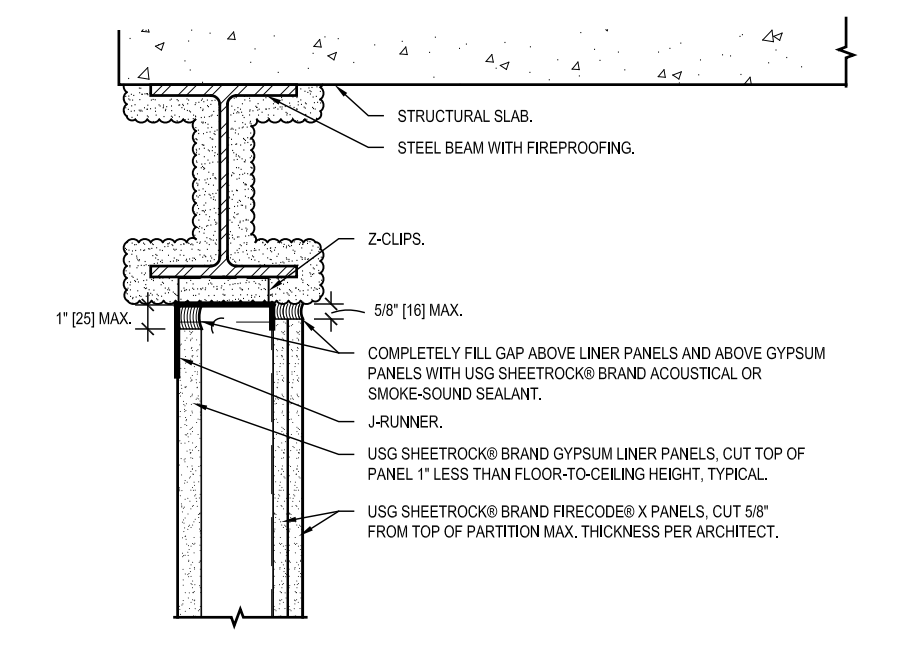
7 2-HR SHAFTWALL ADJACENT TO BEAM
 Scale: 1 1/2"=1'-0"



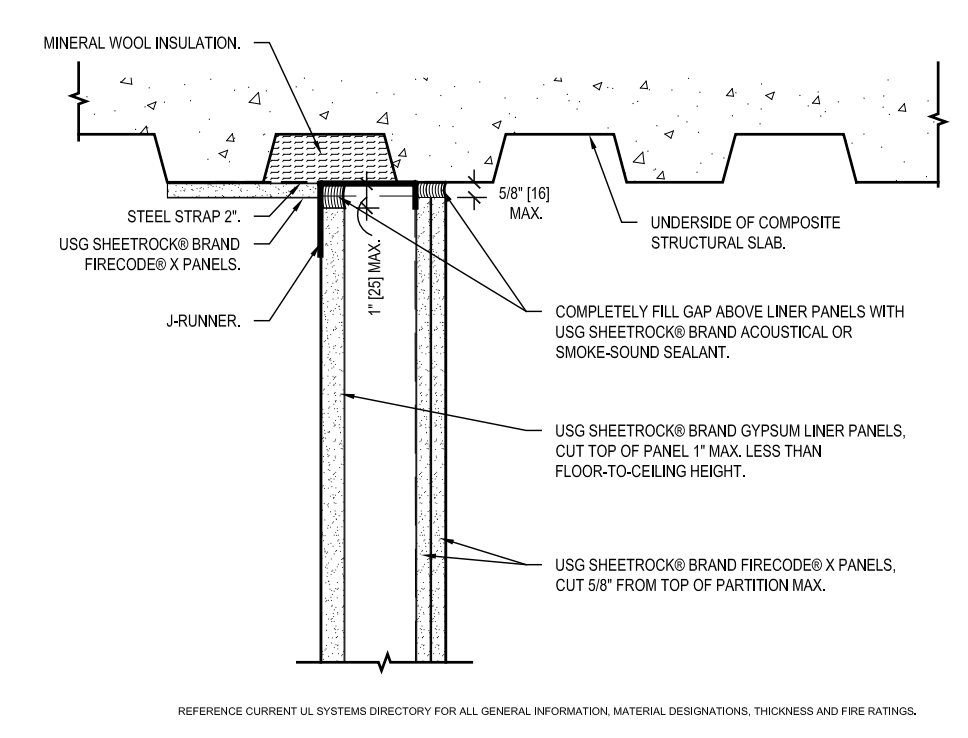
3 (1-HR AND 2-HR)
HEAD OF WALL UL HW-D-0610
 Scale: 1 1/2"=1'-0"
REFERENCE CURRENT UL JOINT SYSTEM DIRECTORY FOR ALL GENERAL INFORMATION, MATERIAL DESIGNATIONS, THICKNESS AND FIRE RATINGS.



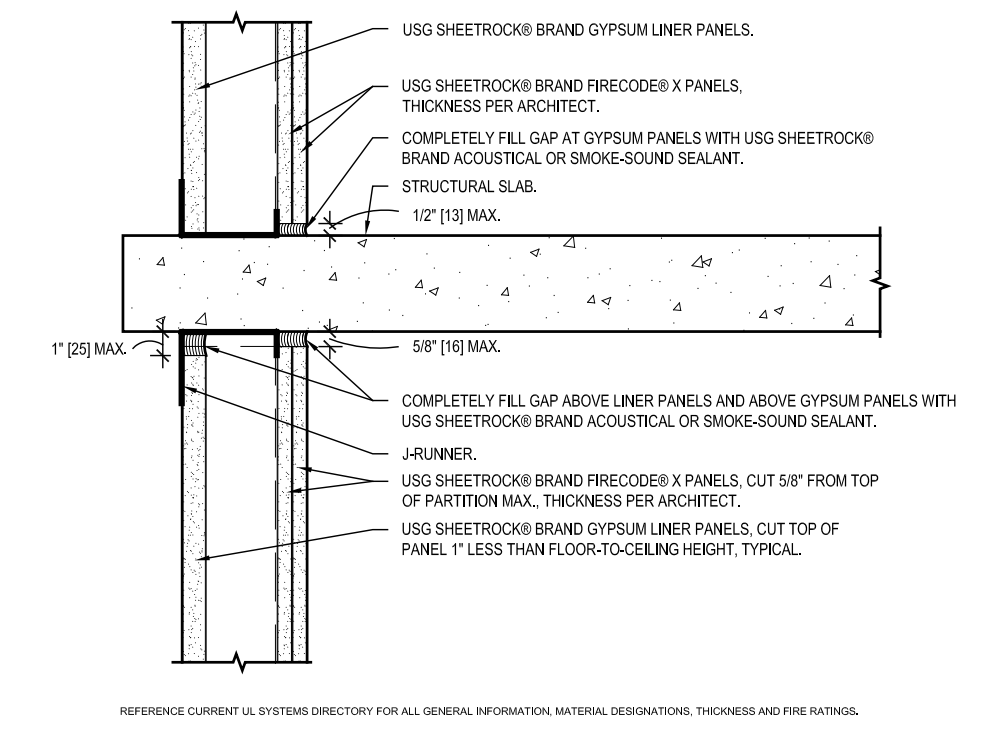
6 2-HR HEAD OF WALL ADJACENT TO BEAM
 Scale: 1 1/2"=1'-0"



2 (1-HR AND 2-HR)
HEAD OF WALL UL HW-D-0609
 Scale: 1 1/2"=1'-0"
REFERENCE CURRENT UL JOINT SYSTEM DIRECTORY FOR ALL GENERAL INFORMATION, MATERIAL DESIGNATIONS, THICKNESS AND FIRE RATINGS.



5 2-HR HEAD OF WALL UL HW-D-0613
 Scale: 1 1/2"=1'-0"
REFERENCE CURRENT UL JOINT SYSTEM DIRECTORY FOR ALL GENERAL INFORMATION, MATERIAL DESIGNATIONS, THICKNESS AND FIRE RATINGS.



1 2-HR HEAD OF WALL UL HW-D-0603
 Scale: 1 1/2"=1'-0"
REFERENCE CURRENT UL JOINT SYSTEM DIRECTORY FOR ALL GENERAL INFORMATION, MATERIAL DESIGNATIONS, THICKNESS AND FIRE RATINGS.

NOTE: THESE PRODUCT DETAILS CONTAINED HEREIN ARE INTENDED FOR USE AS PRODUCT REFERENCE MATERIAL BY ARCHITECTS, ENGINEERS, OTHER DESIGN PROFESSIONALS, CONTRACTORS, BUILDING CODE OFFICIALS, OR OTHER COMPETENT CONSTRUCTION INDUSTRY TRADE PROFESSIONALS HAVING AN INTEREST IN THE SELECTION, SPECIFICATION AND USE OF PRODUCTS MANUFACTURED BY THE SUBSIDIARIES OF USG CORPORATION. THE DRAWINGS ARE REFERENCED SOLUTIONS AND TECHNICAL SUPPORT INCIDENT TO THE SALE AND USE OF USG PRODUCTS AND NOT INTENDED TO BE A SUBSTITUTE FOR THE DESIGN REVIEW AND APPROVAL OF THE LICENSED DESIGN PROFESSIONALS FOR THE PROJECT. THESE DRAWINGS MAY BE PRINTED AND/OR TRANSMITTED ELECTRONICALLY SOLELY AS PROVIDED BY THE USER, BECAUSE CAD ELECTRONIC FILES AND BIM BUILDING INFORMATION MODELS (IFES) CAN BE INCORPORATED BY OTHER PARTIES. WITHOUT NOTICE OR INDICATION OF SUCH MODIFICATIONS, MODIFICATIONS TO USG PRODUCT CAD DRAWINGS IS THE SOLE RESPONSIBILITY OF THE DESIGN PROFESSIONAL.

ISSUE LOG	
01	07/11/2016

SHEET INFORMATION
 USG HEAD OF
 SHAFTWALL
 DETAILS