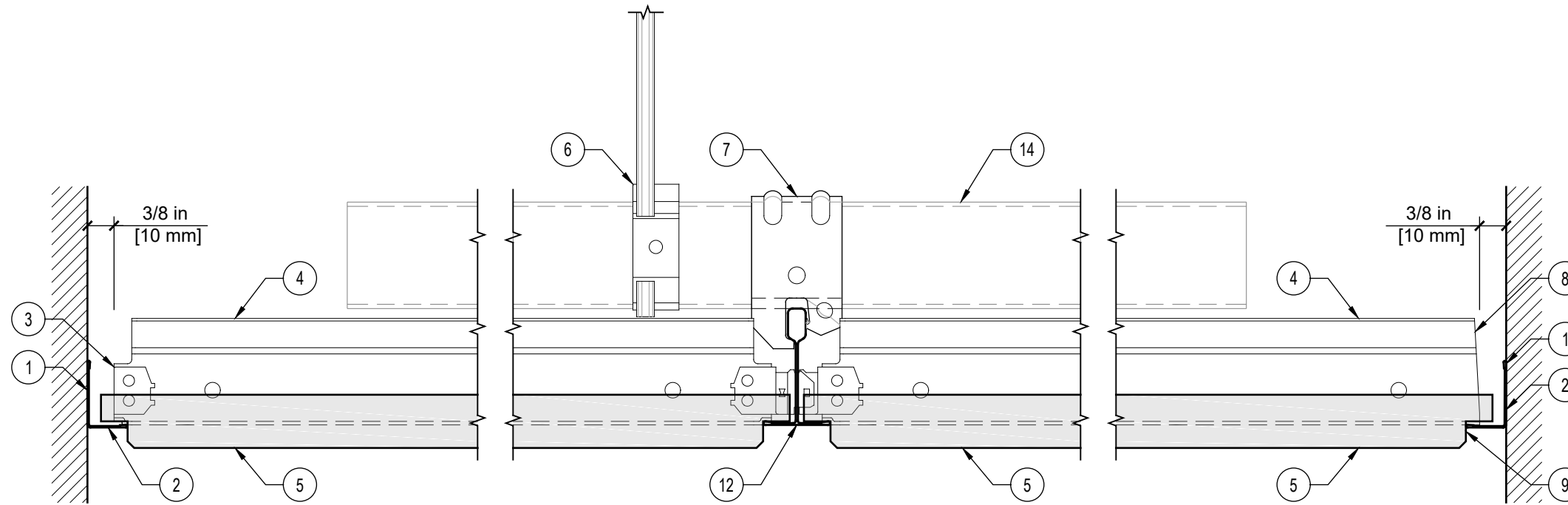


KEYNOTES - BASIC CEILING DETAILS
NOTAS - DETALLES BASICOS DE PLAFON

1	ATTACH WALL ANGLE AT CEILING PERIMETER. FIJAR ANGULO PERIMETRAL AL MURO.
2	WALL ANGLE. ANGULO PERIMETRAL.
3	REMOVE CLIP FROM CROSS TEE AT WALL ANGLE. ELIMINAR EL CLIP DE LA TEE SECUNDARIA AL ANGULO PERIMETRAL.
4	CROSS TEE. TEE SECUNDARIA.
5	CEILING PANEL. PANEL DE PLAFON.
6	STEEL HANGER ROD AND CHANNEL CLIP BY OTHERS. VARILLA DE SUSPENSION Y CLIP DE CANAL POR OTROS.
7	ATTACH GRID TO CARRYING CHANNEL WITH USG V-14 FURRING CLIP OR EQUAL. FIJAR SUSPENSION A CARNELTA DE CARGA CON USG V-14 CLIP O IGUAL.
8	FIELD-CUT CROSS TEE AT WALL ANGLE. CORTE DE TEE AL ANGULO PERIMETRAL.
9	FIELD-CUT EDGE TO MATCH PANEL PROFILE. AJUSTE DE PLAFON PARA ENCAJAR EN EL ANGULO.
10	SHADOW MOLDING. ANGULO PERIMETRAL.
11	REMOVE CLIP FROM MAIN TEE AT WALL ANGLE. ELIMINAR EL CLIP DE LA TEE PRINCIPAL AL ANGULO PERIMETRAL.
12	MAIN TEE. TEE PRINCIPAL.
13	FIELD-CUT MAIN TEE AT WALL ANGLE. CORTE DE TEE PRINCIPAL AL ANGULO PERIMETRAL.
14	STEEL CARRYING CHANNEL BY OTHERS. CANAL DE CARGO POR OTROS.
15	SQUARE-CUT PANEL AT PERIMETER (OPTIONAL INSTALLATION). AJUSTE EN PLAFON PERIMETRAL (INSTALACION OPCIONAL).

ADDITIONAL NOTES:

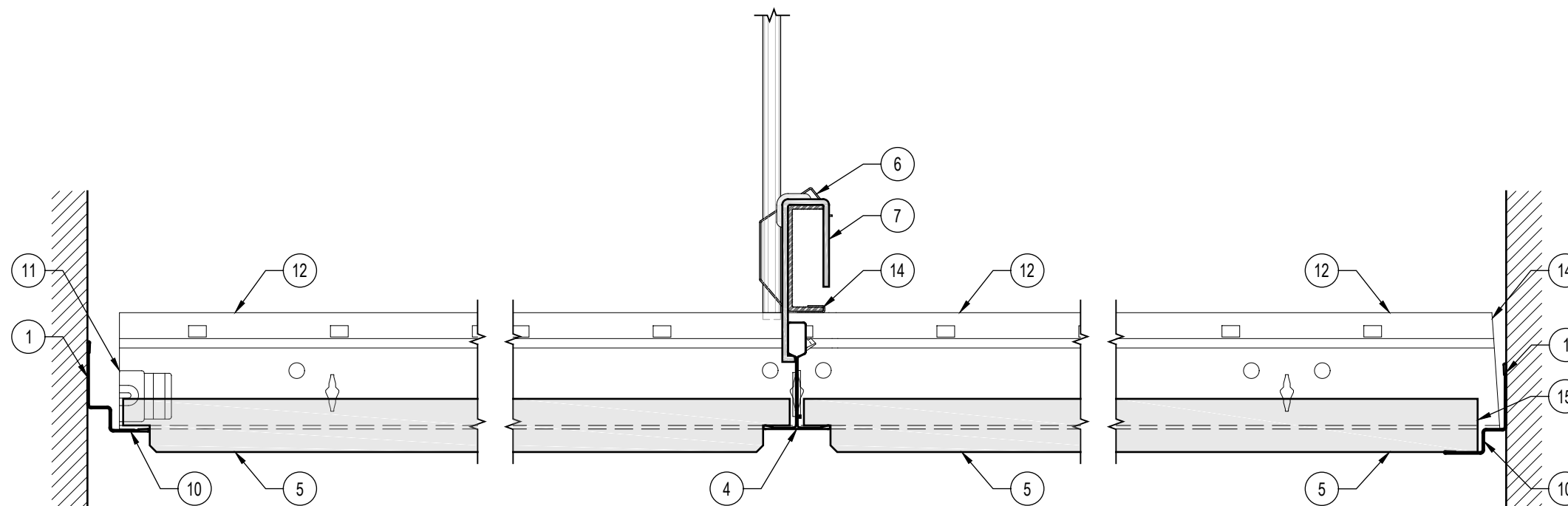
1. MECHANICAL FASTENERS MAY BE REQUIRED. CHECK WITH LOCAL CODE FOR COMPLIANCE.



1 DX/DXL CROSS TEE WITH SLB PANEL
FULL CEILING PANEL WITH WALL ANGLE
Scale: 6" = 1'-0"

2 DX/DXL GRID ATTACHED TO SUSPENDED STEEL FRAMING - CROSS TEE ELEVATION
PANEL AND GRID SECTION CUT THROUGH MAIN TEE
Scale: 6" = 1'-0"

3 DX/DXL CROSS TEE WITH SLB PANEL
FIELD-CUT GRID AND PANEL AT WALL ANGLE
Scale: 6" = 1'-0"



PREFERRED INSTALLATION: PROFILE EDGE OF PANEL TO BE SHOWN AT REVEAL MOLDING. FIELD-CUT AND ROUT EDGE TO MATCH IF NECESSARY.

OPTIONAL INSTALLATION: SQUARE-CUT AND ENCAPSULATE EDGE AT PERIMETER.

4 DX/DXL MAIN TEE WITH SLB PANEL
FULL CEILING PANEL WITH SHADOWLINE ANGLE
Scale: 6" = 1'-0"

5 DX/DXL GRID ATTACHED TO SUSPENDED STEEL FRAMING - MAIN TEE ELEVATION
PANEL AND GRID SECTION CUT THROUGH CROSS TEE
Scale: 6" = 1'-0"

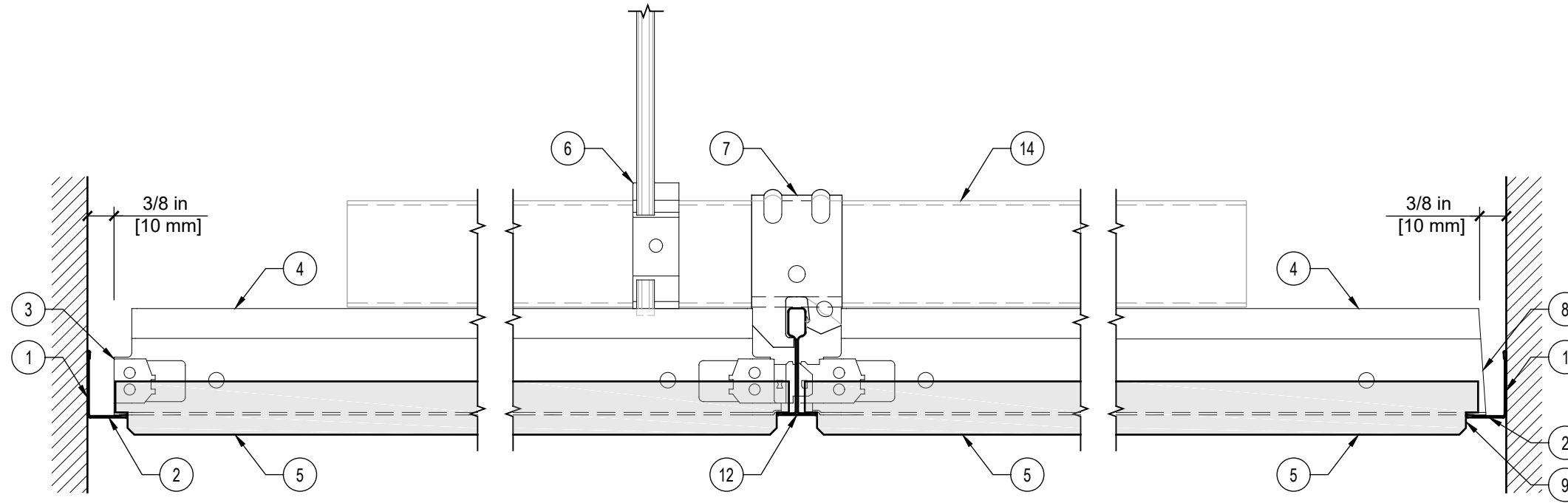
6 DX/DXL MAIN TEE WITH SLB PANEL
FIELD-CUT GRID WITH SQUARE-CUT PANEL
Scale: 6" = 1'-0"

KEYNOTES - BASIC CEILING DETAILS
NOTAS - DETALLES BASICOS DE PLAFON

1	ATTACH WALL ANGLE AT CEILING PERIMETER. FIJAR ANGULO PERIMETRAL AL MURO.
2	WALL ANGLE. ANGULO PERIMETRAL.
3	REMOVE CLIP FROM CROSS TEE AT WALL ANGLE. ELIMINAR EL CLIP DE LA TEE SECUNDARIA AL ANGULO PERIMETRAL.
4	CROSS TEE. TEE SECUNDARIA.
5	CEILING PANEL. PANEL DE PLAFON.
6	STEEL HANGER ROD AND CHANNEL CLIP BY OTHERS. VARILLA DE SUSPENSION Y CLIP DE CANAL POR OTROS.
7	ATTACH GRID TO CARRYING CHANNEL WITH USG V-14 FURRING CLIP OR EQUAL. FIJAR SUSPENSION A CARNELTA DE CARGA CON USG V-14 CLIP O IGUAL.
8	FIELD-CUT CROSS TEE AT WALL ANGLE. CORTE DE TEE AL ANGULO PERIMETRAL.
9	FIELD-CUT EDGE TO MATCH PANEL PROFILE. AJUSTE DE PLAFON PARA ENCAJAR EN EL ANGULO.
10	SHADOW MOLDING. ANGULO PERIMETRAL.
11	REMOVE CLIP FROM MAIN TEE AT WALL ANGLE. ELIMINAR EL CLIP DE LA TEE PRINCIPAL AL ANGULO PERIMETRAL.
12	MAIN TEE. TEE PRINCIPAL.
13	FIELD-CUT MAIN TEE AT WALL ANGLE. CORTE DE TEE PRINCIPAL AL ANGULO PERIMETRAL.
14	STEEL CARRYING CHANNEL BY OTHERS. CANAL DE CARGO POR OTROS.
15	SQUARE-CUT PANEL AT PERIMETER (OPTIONAL INSTALLATION). AJUSTE EN PLAFON PERIMETRAL (INSTALACION OPCIONAL).

ADDITIONAL NOTES:

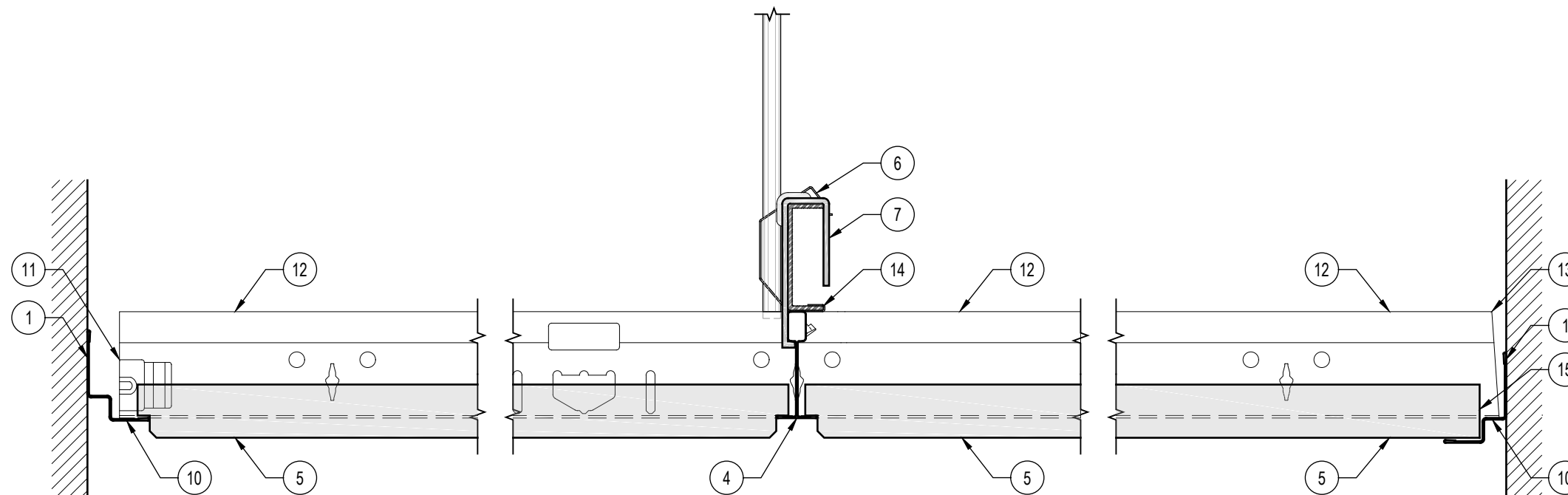
1. MECHANICAL FASTENERS MAY BE REQUIRED. CHECK WITH LOCAL CODE FOR COMPLIANCE.



1 DXT/DXLT CROSS TEE WITH FLB PANEL
FULL CEILING PANEL WITH WALL ANGLE
Scale: 6" = 1'-0"

2 DXT/DXLT GRID ATTACHED TO SUSPENDED STEEL FRAMING - CROSS TEE ELEVATION
PANEL AND GRID SECTION CUT THROUGH MAIN TEE
Scale: 6" = 1'-0"

3 DXT/DXLT CROSS TEE WITH FLB PANEL
FIELD-CUT GRID AND PANEL AT WALL ANGLE
Scale: 6" = 1'-0"



PREFERRED INSTALLATION: PROFILE EDGE OF PANEL TO BE SHOWN AT REVEAL MOLDING. FIELD-CUT AND ROUT EDGE TO MATCH IF NECESSARY.

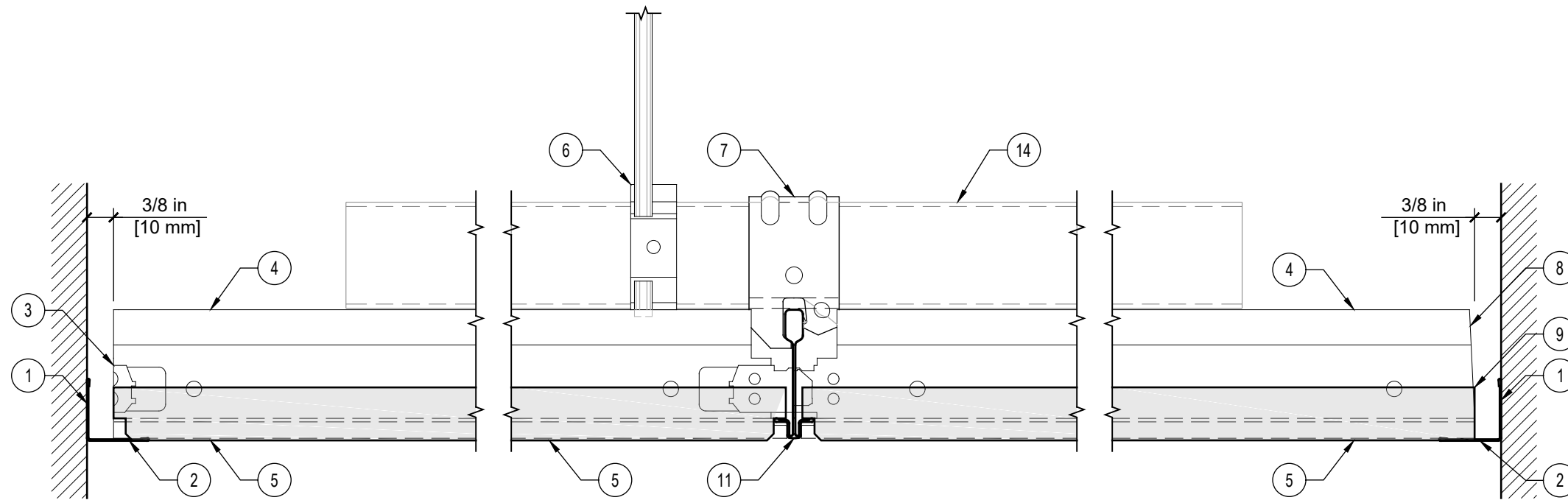
4 DXT/DXLT MAIN TEE WITH FLB PANEL
FULL CEILING PANEL WITH SHADOWLINE ANGLE
Scale: 6" = 1'-0"

5 DXT/DXLT GRID ATTACHED TO SUSPENDED STEEL FRAMING - MAIN TEE ELEVATION
PANEL AND GRID SECTION CUT THROUGH CROSS TEE
Scale: 6" = 1'-0"

OPTIONAL INSTALLATION: SQUARE-CUT AND ENCAPSULATE EDGE AT PERIMETER.

6 DXT/DXLT MAIN TEE WITH FLB PANEL
FIELD-CUT GRID WITH SQUARE-CUT PANEL
Scale: 6" = 1'-0"

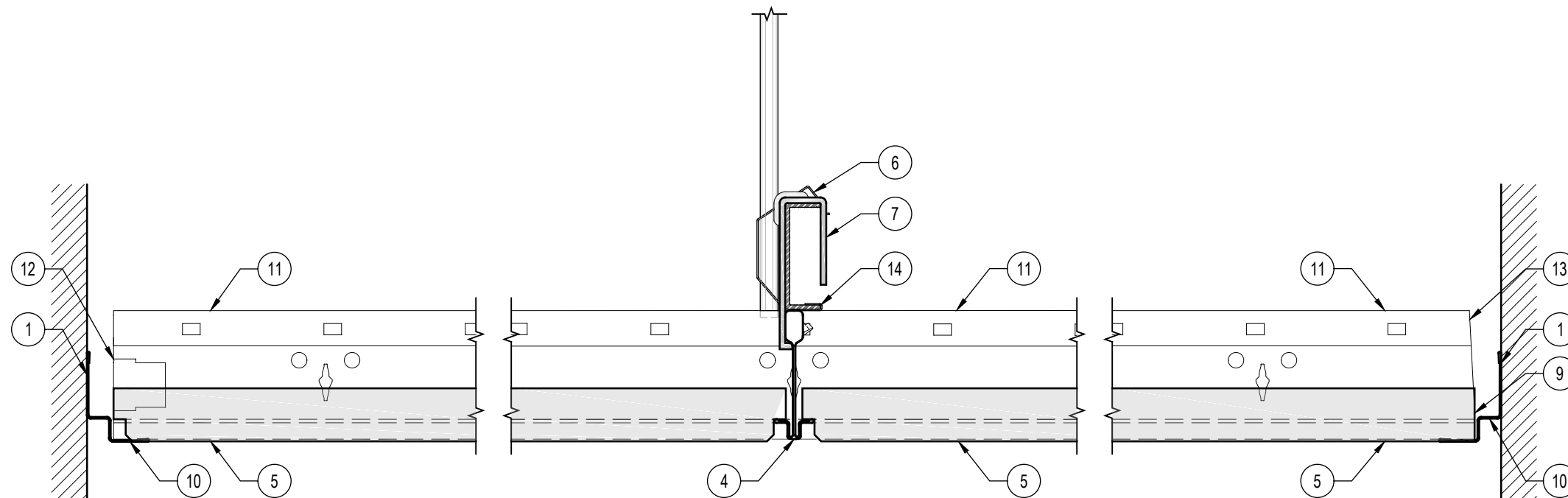
KEYNOTES - BASIC CEILING DETAILS
NOTAS - DETALLES BASICOS DE PLAFON



1 DXI CROSS TEE ELEVATION WITH FLB PANEL
FULL CEILING PANEL WITH WALL ANGLE
Scale: 6" = 1'-0"

2 DXI GRID ATTACHED TO SUSPENDED STEEL FRAMING - CROSS TEE ELEVATION
PANEL AND GRID SECTION CUT THROUGH MAIN TEE
Scale: 6" = 1'-0"

3 DXI CROSS TEE ELEVATION WITH FLB PANEL
FIELD-CUT GRID AND PANEL AT WALL ANGLE
Scale: 6" = 1'-0"



4 DXI MAIN TEE ELEVATION WITH FLB PANEL
FULL CEILING PANEL WITH SHADOWLINE ANGLE
Scale: 6" = 1'-0"

5 DXI GRID ATTACHED TO SUSPENDED STEEL FRAMING - MAIN TEE ELEVATION
PANEL AND GRID SECTION CUT THROUGH CROSS TEE
Scale: 6" = 1'-0"

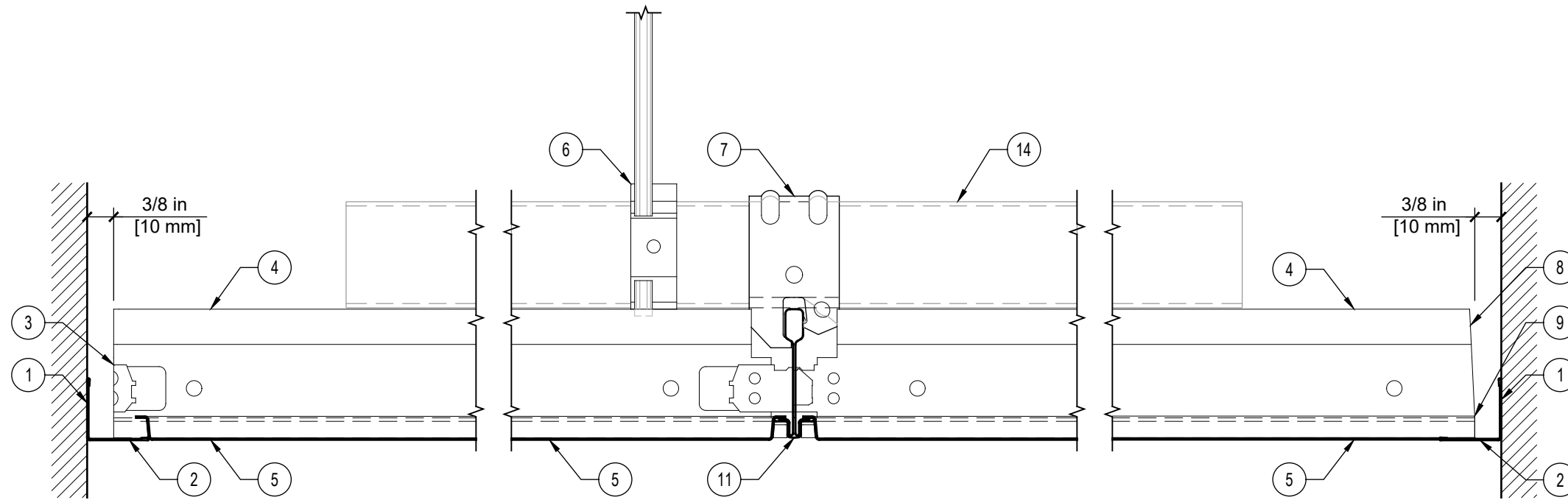
6 DXI MAIN TEE ELEVATION WITH FLB PANEL
FIELD-CUT GRID WITH SQUARE-CUT PANEL
Scale: 6" = 1'-0"

1	ATTACH WALL ANGLE AT CEILING PERIMETER. FIJAR ANGULO PERIMETRAL AL MURO.
2	WALL ANGLE. ANGULO PERIMETRAL.
3	REMOVE CLIP FROM CROSS TEE AT WALL ANGLE. ELIMINAR EL CLIP DE LA TEE SECUNDARIA AL ANGULO PERIMETRAL.
4	CROSS TEE. TEE SECUNDARIA.
5	CEILING PANEL. PANEL DE PLAFON.
6	STEEL HANGER ROD AND CHANNEL CLIP BY OTHERS. VARILLA DE SUSPENSION Y CLIP DE CANAL POR OTROS.
7	ATTACH GRID TO CARRYING CHANNEL WITH USG V-14 FURRING CLIP OR EQUAL. FIJAR SUSPENSION A CARNELTA DE CARGA CON USG V-14 CLIP O IGUAL.
8	FIELD-CUT CROSS TEE AT WALL ANGLE. CORTE DE TEE AL ANGULO PERIMETRAL.
9	SQUARE-CUT PANEL AT PERIMETER. AJUSTE EN PLAFON PERIMETRAL.
10	SHADOW MOLDING. ANGULO PERIMETRAL.
11	MAIN TEE. TEE PRINCIPAL.
12	REMOVE CLIP FROM MAIN TEE AT WALL ANGLE. ELIMINAR EL CLIP DE LA TEE PRINCIPAL AL ANGULO PERIMETRAL.
13	FIELD-CUT MAIN TEE AT WALL ANGLE. CORTE DE TEE PRINCIPAL AL ANGULO PERIMETRAL.
14	STEEL CARRYING CHANNEL BY OTHERS. CANAL DE CARGO POR OTROS.

ADDITIONAL NOTES:

- MECHANICAL FASTENERS MAY BE REQUIRED. CHECK WITH LOCAL CODE FOR COMPLIANCE.

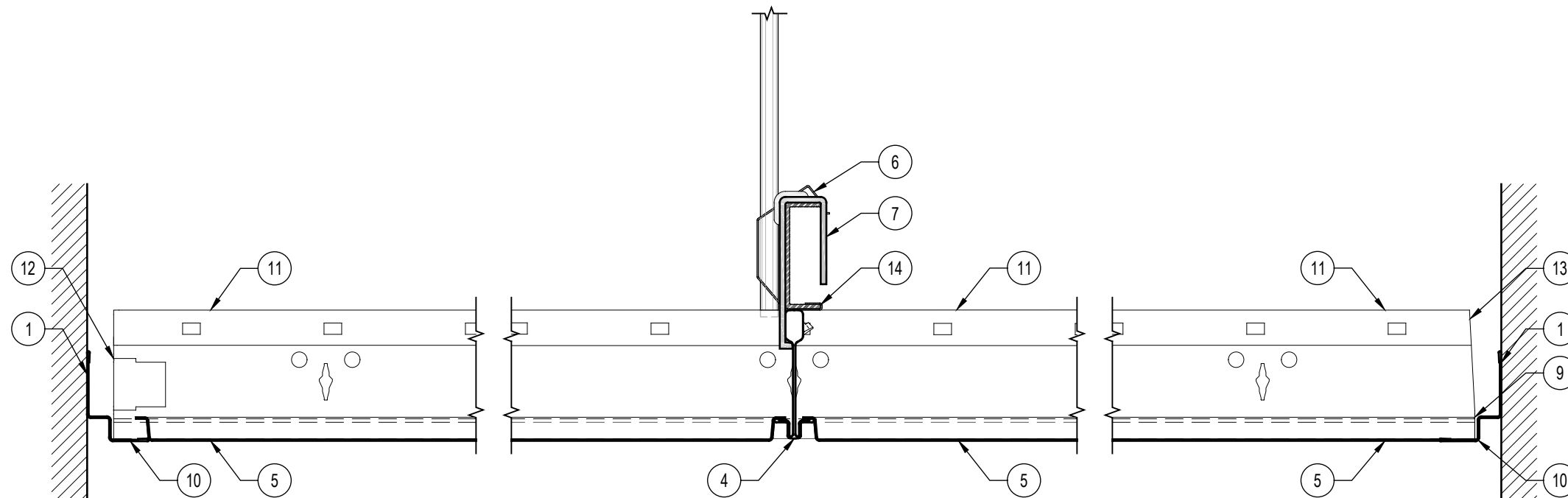
KEYNOTES - BASIC CEILING DETAILS
NOTAS - DETALLES BASICOS DE PLAFON



1 DXI CROSS TEE ELEVATION WITH PANZ PANEL
FULL CEILING PANEL WITH WALL ANGLE
Scale: 6" = 1'-0"

2 DXI GRID ATTACHED TO SUSPENDED STEEL FRAMING - CROSS TEE ELEVATION
PANEL AND GRID SECTION CUT THROUGH MAIN TEE
Scale: 6" = 1'-0"

3 DXI CROSS TEE ELEVATION WITH PANZ PANEL
FIELD-CUT GRID AND PANEL AT WALL ANGLE
Scale: 6" = 1'-0"



4 DXI MAIN TEE ELEVATION WITH PANZ PANEL
FULL CEILING PANEL WITH SHADOWLINE ANGLE
Scale: 6" = 1'-0"

5 DXI GRID ATTACHED TO SUSPENDED STEEL FRAMING - MAIN TEE ELEVATION
PANEL AND GRID SECTION CUT THROUGH CROSS TEE
Scale: 6" = 1'-0"

6 DXI MAIN TEE ELEVATION WITH PANZ PANEL
FIELD-CUT GRID WITH SQUARE-CUT PANEL
Scale: 6" = 1'-0"

1	ATTACH WALL ANGLE AT CEILING PERIMETER. FIJAR ANGULO PERIMETRAL AL MURO.
2	WALL ANGLE. ANGULO PERIMETRAL.
3	REMOVE CLIP FROM CROSS TEE AT WALL ANGLE. ELIMINAR EL CLIP DE LA TEE SECUNDARIA AL ANGULO PERIMETRAL.
4	CROSS TEE. TEE SECUNDARIA.
5	CEILING PANEL. PANEL DE PLAFON.
6	STEEL HANGER ROD AND CHANNEL CLIP BY OTHERS. VARILLA DE SUSPENSION Y CLIP DE CANAL POR OTROS.
7	ATTACH GRID TO CARRYING CHANNEL WITH USG V-14 FURRING CLIP OR EQUAL. FIJAR SUSPENSION A CARNELTA DE CARGA CON USG V-14 CLIP O IGUAL.
8	FIELD-CUT CROSS TEE AT WALL ANGLE. CORTE DE TEE AL ANGULO PERIMETRAL.
9	SQUARE-CUT PANEL AT PERIMETER. AJUSTE EN PLAFON PERIMETRAL.
10	SHADOW MOLDING. ANGULO PERIMETRAL.
11	MAIN TEE. TEE PRINCIPAL.
12	REMOVE CLIP FROM MAIN TEE AT WALL ANGLE. ELIMINAR EL CLIP DE LA TEE PRINCIPAL AL ANGULO PERIMETRAL.
13	FIELD-CUT MAIN TEE AT WALL ANGLE. CORTE DE TEE PRINCIPAL AL ANGULO PERIMETRAL.
14	STEEL CARRYING CHANNEL BY OTHERS. CANAL DE CARGO POR OTROS.

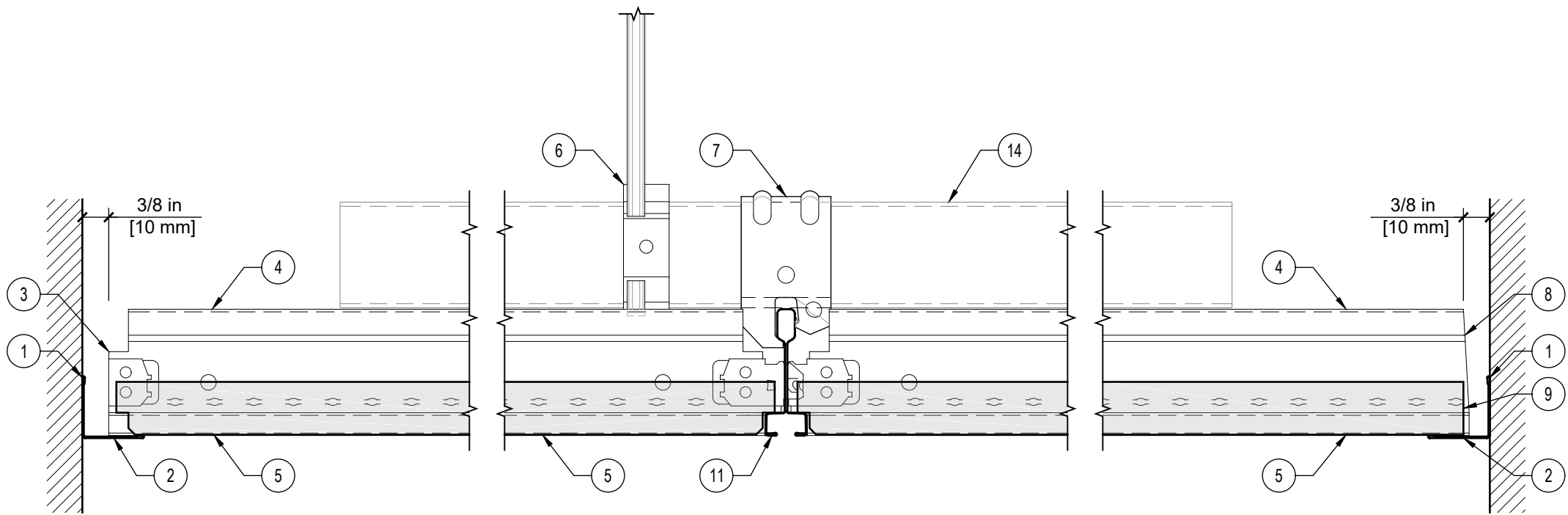
ADDITIONAL NOTES:

1. MECHANICAL FASTENERS MAY BE REQUIRED. CHECK WITH LOCAL CODE FOR COMPLIANCE.

KEYNOTES - BASIC CEILING DETAILS
NOTAS - DETALLES BASICOS DE PLAFON

1	ATTACH WALL ANGLE AT CEILING PERIMETER. FIJAR ANGULO PERIMETRAL AL MURO.
2	WALL ANGLE. ANGULO PERIMETRAL.
3	REMOVE CLIP FROM CROSS TEE AT WALL ANGLE. ELIMINAR EL CLIP DE LA TEE SECUNDARIA AL ANGULO PERIMETRAL.
4	CROSS TEE. TEE SECUNDARIA.
5	CEILING PANEL. PANEL DE PLAFON.
6	STEEL HANGER ROD AND CHANNEL CLIP BY OTHERS. VARILLA DE SUSPENSION Y CLIP DE CANAL POR OTROS.
7	ATTACH GRID TO CARRYING CHANNEL WITH USG V-14 FURRING CLIP OR EQUAL. FIJAR SUSPENSION A CARNELTA DE CARGA CON USG V-14 CLIP O IGUAL.
8	FIELD-CUT CROSS TEE AT WALL ANGLE. CORTE DE TEE AL ANGULO PERIMETRAL.
9	SQUARE-CUT PANEL AT PERIMETER. AJUSTE EN PLAFON PERIMETRAL.
10	SHADOW MOLDING. ANGULO PERIMETRAL.
11	MAIN TEE. TEE PRINCIPAL.
12	REMOVE CLIP FROM MAIN TEE AT WALL ANGLE. ELIMINAR EL CLIP DE LA TEE PRINCIPAL AL ANGULO PERIMETRAL.
13	FIELD-CUT MAIN TEE AT WALL ANGLE. CORTE DE TEE PRINCIPAL AL ANGULO PERIMETRAL.
14	STEEL CARRYING CHANNEL BY OTHERS. CANAL DE CARGO POR OTROS.

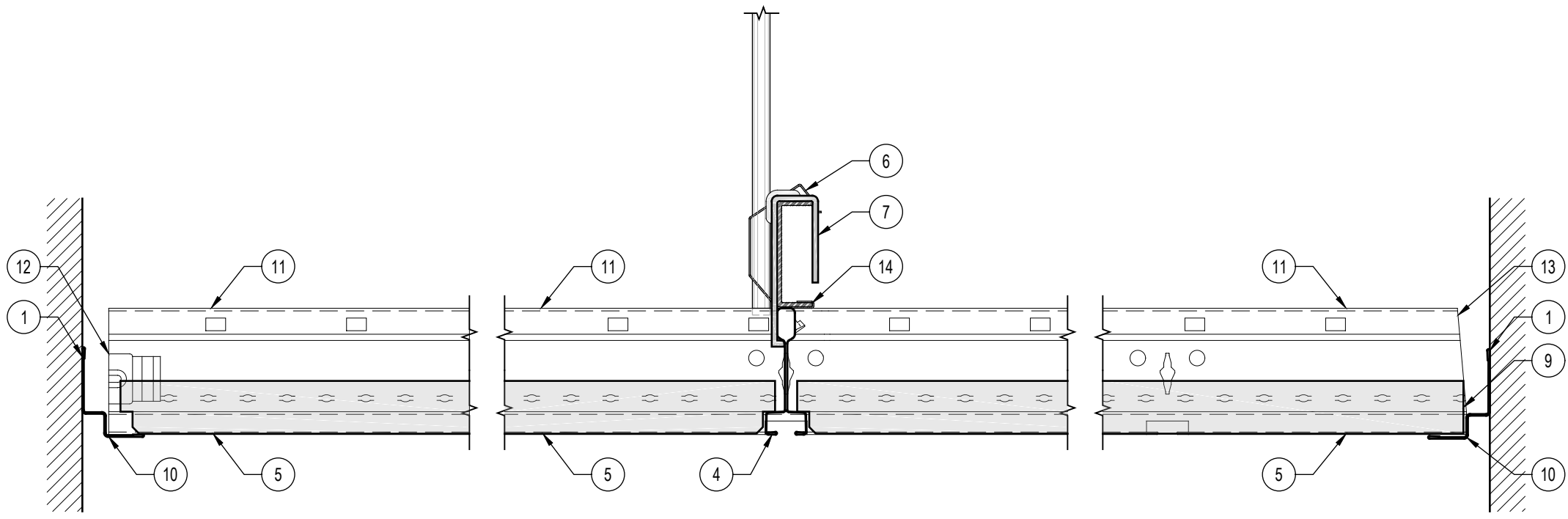
ADDITIONAL NOTES:
1. MECHANICAL FASTENERS MAY BE REQUIRED. CHECK WITH LOCAL CODE FOR COMPLIANCE.



1 DXF/DXLF CROSS TEE ELEVATION WITH FLB PANEL
FULL CEILING PANEL WITH WALL ANGLE
Scale: 6" = 1'-0"

2 DXF/DXLF GRID ATTACHED TO SUSPENDED STEEL FRAMING - CROSS TEE ELEVATION
PANEL AND GRID SECTION CUT THROUGH MAIN TEE
Scale: 6" = 1'-0"

3 DXF/DXLF CROSS TEE ELEVATION WITH FLB PANEL
FIELD-CUT GRID AND PANEL AT WALL ANGLE
Scale: 6" = 1'-0"



PREFERRED INSTALLATION: PROFILE EDGE OF PANEL TO BE SHOWN AT REVEAL MOLDING. FIELD-CUT AND ROUT EDGE TO MATCH IF NECESSARY.

4 DXF/DXLF MAIN TEE ELEVATION WITH FLB PANEL
FULL CEILING PANEL WITH SHADOWLINE ANGLE
Scale: 6" = 1'-0"

5 DXF/DXLF GRID ATTACHED TO SUSPENDED STEEL FRAMING - MAIN TEE ELEVATION
PANEL AND GRID SECTION CUT THROUGH CROSS TEE
Scale: 6" = 1'-0"

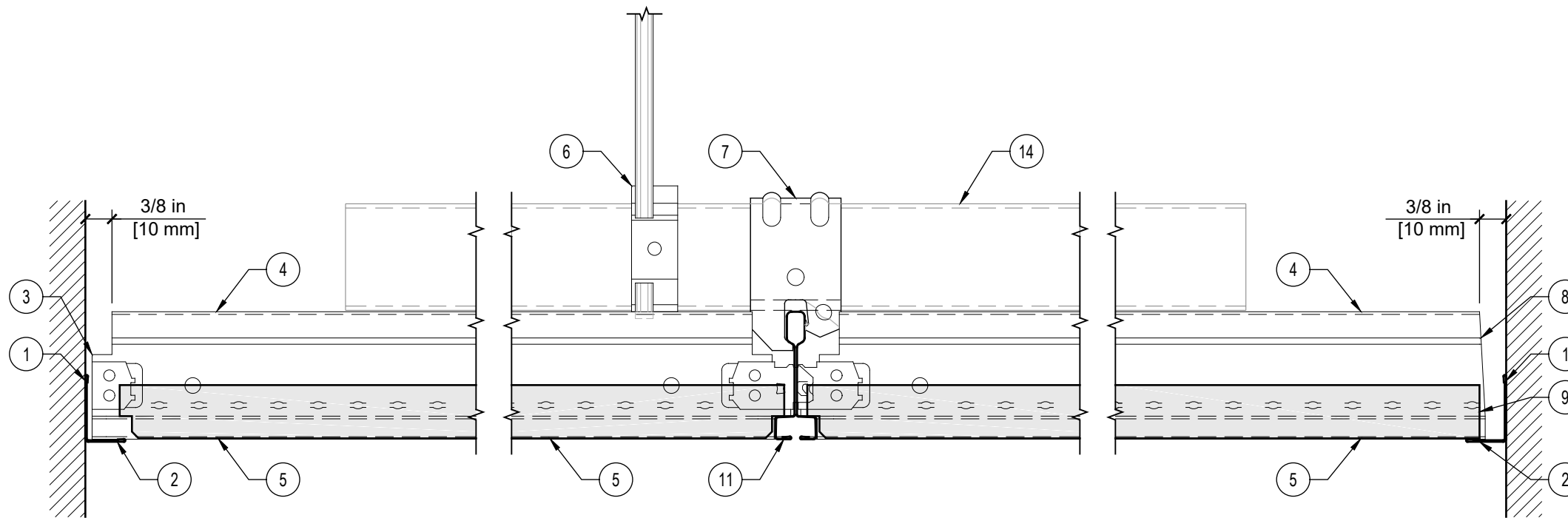
6 DXF/DXLF MAIN TEE ELEVATION WITH FLB PANEL
FIELD-CUT GRID WITH SQUARE-CUT PANEL
Scale: 6" = 1'-0"

KEYNOTES - BASIC CEILING DETAILS
NOTAS - DETALLES BASICOS DE PLAFON

1	ATTACH WALL ANGLE AT CEILING PERIMETER. FIJAR ANGULO PERIMETRAL AL MURO.
2	WALL ANGLE. ANGULO PERIMETRAL.
3	REMOVE CLIP FROM CROSS TEE AT WALL ANGLE. ELIMINAR EL CLIP DE LA TEE SECUNDARIA AL ANGULO PERIMETRAL.
4	CROSS TEE. TEE SECUNDARIA.
5	CEILING PANEL. PANEL DE PLAFON.
6	STEEL HANGER ROD AND CHANNEL CLIP BY OTHERS. VARILLA DE SUSPENSION Y CLIP DE CANAL POR OTROS.
7	ATTACH GRID TO CARRYING CHANNEL WITH USG V-14 FURRING CLIP OR EQUAL. FIJAR SUSPENSION A CARNELTA DE CARGA CON USG V-14 CLIP O IGUAL.
8	FIELD-CUT CROSS TEE AT WALL ANGLE. CORTE DE TEE AL ANGULO PERIMETRAL.
9	SQUARE-CUT PANEL AT PERIMETER. AJUSTE EN PLAFON PERIMETRAL.
10	SHADOW MOLDING. ANGULO PERIMETRAL.
11	MAIN TEE. TEE PRINCIPAL.
12	REMOVE CLIP FROM MAIN TEE AT WALL ANGLE. ELIMINAR EL CLIP DE LA TEE PRINCIPAL AL ANGULO PERIMETRAL.
13	FIELD-CUT MAIN TEE AT WALL ANGLE. CORTE DE TEE PRINCIPAL AL ANGULO PERIMETRAL.
14	STEEL CARRYING CHANNEL BY OTHERS. CANAL DE CARGO POR OTROS.

ADDITIONAL NOTES:

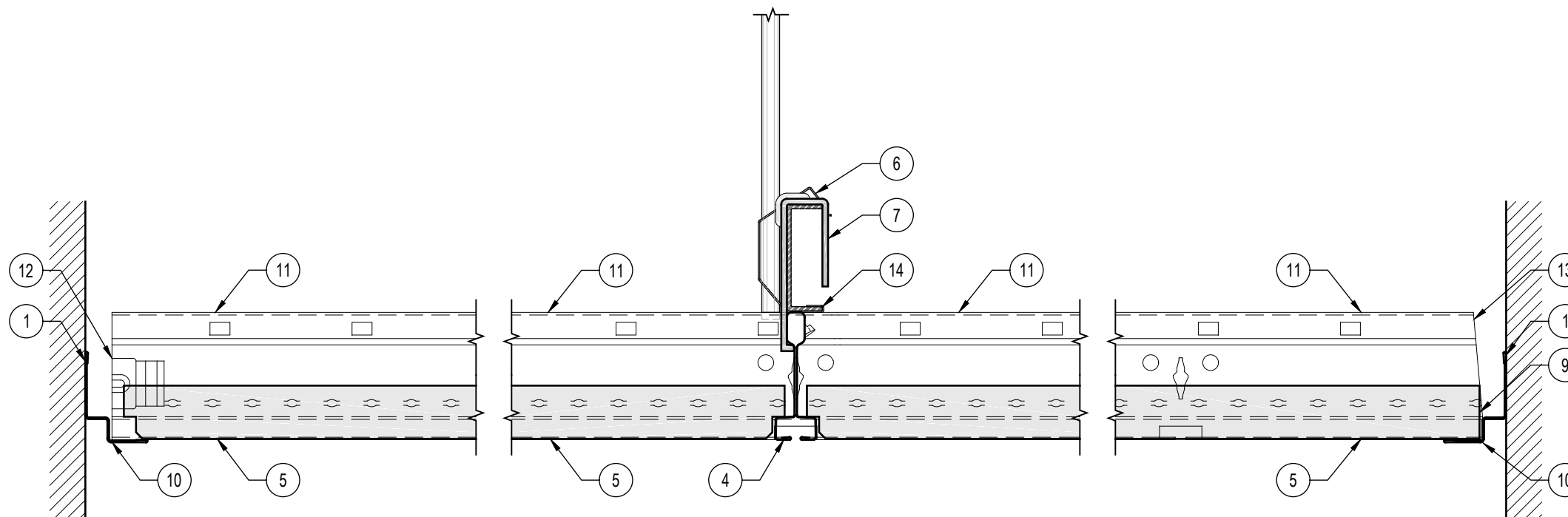
1. MECHANICAL FASTENERS MAY BE REQUIRED. CHECK WITH LOCAL CODE FOR COMPLIANCE.



1 DXFF CROSS TEE ELEVATION WITH FLB PANEL
FULL CEILING PANEL WITH WALL ANGLE
Scale: 6" = 1'-0"

2 DXFF GRID ATTACHED TO SUSPENDED STEEL FRAMING - CROSS TEE ELEVATION
PANEL AND GRID SECTION CUT THROUGH MAIN TEE
Scale: 6" = 1'-0"

3 DXFF CROSS TEE ELEVATION WITH FLB PANEL
FIELD-CUT GRID AND PANEL AT WALL ANGLE
Scale: 6" = 1'-0"



4 DXFF MAIN TEE ELEVATION WITH FLB PANEL
FULL CEILING PANEL WITH SHADOWLINE ANGLE
Scale: 6" = 1'-0"

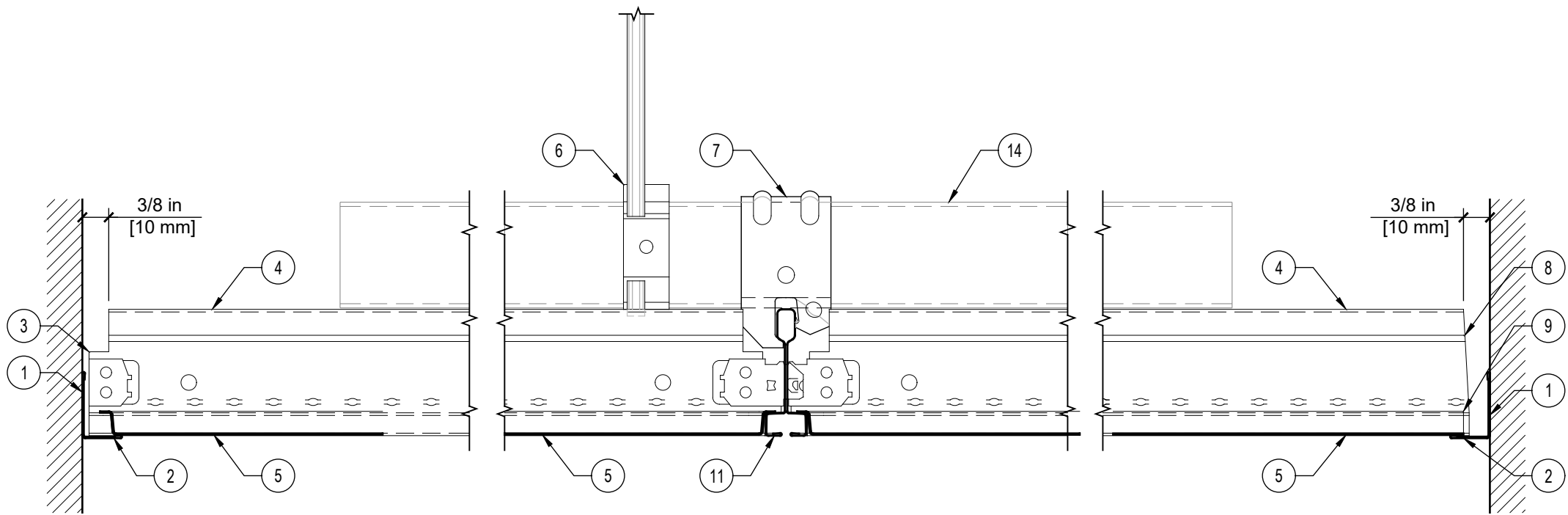
5 DXFF GRID ATTACHED TO SUSPENDED STEEL FRAMING - MAIN TEE ELEVATION
PANEL AND GRID SECTION CUT THROUGH CROSS TEE
Scale: 6" = 1'-0"

6 DXFF MAIN TEE ELEVATION WITH FLB PANEL
FIELD-CUT GRID WITH SQUARE-CUT PANEL
Scale: 6" = 1'-0"

KEYNOTES - BASIC CEILING DETAILS
NOTAS - DETALLES BASICOS DE PLAFON

1	ATTACH WALL ANGLE AT CEILING PERIMETER. FIJAR ANGULO PERIMETRAL AL MURO.
2	WALL ANGLE. ANGULO PERIMETRAL.
3	REMOVE CLIP FROM CROSS TEE AT WALL ANGLE. ELIMINAR EL CLIP DE LA TEE SECUNDARIA AL ANGULO PERIMETRAL.
4	CROSS TEE. TEE SECUNDARIA.
5	CEILING PANEL. PANEL DE PLAFON.
6	STEEL HANGER ROD AND CHANNEL CLIP BY OTHERS. VARILLA DE SUSPENSION Y CLIP DE CANAL POR OTROS.
7	ATTACH GRID TO CARRYING CHANNEL WITH USG V-14 FURRING CLIP OR EQUAL. FIJAR SUSPENSION A CARNELTA DE CARGA CON USG V-14 CLIP O IGUAL.
8	FIELD-CUT CROSS TEE AT WALL ANGLE. CORTE DE TEE AL ANGULO PERIMETRAL.
9	SQUARE-CUT PANEL AT PERIMETER. AJUSTE EN PLAFON PERIMETRAL.
10	SHADOW MOLDING. ANGULO PERIMETRAL.
11	MAIN TEE. TEE PRINCIPAL.
12	REMOVE CLIP FROM MAIN TEE AT WALL ANGLE. ELIMINAR EL CLIP DE LA TEE PRINCIPAL AL ANGULO PERIMETRAL.
13	FIELD-CUT MAIN TEE AT WALL ANGLE. CORTE DE TEE PRINCIPAL AL ANGULO PERIMETRAL.
14	STEEL CARRYING CHANNEL BY OTHERS. CANAL DE CARGO POR OTROS.

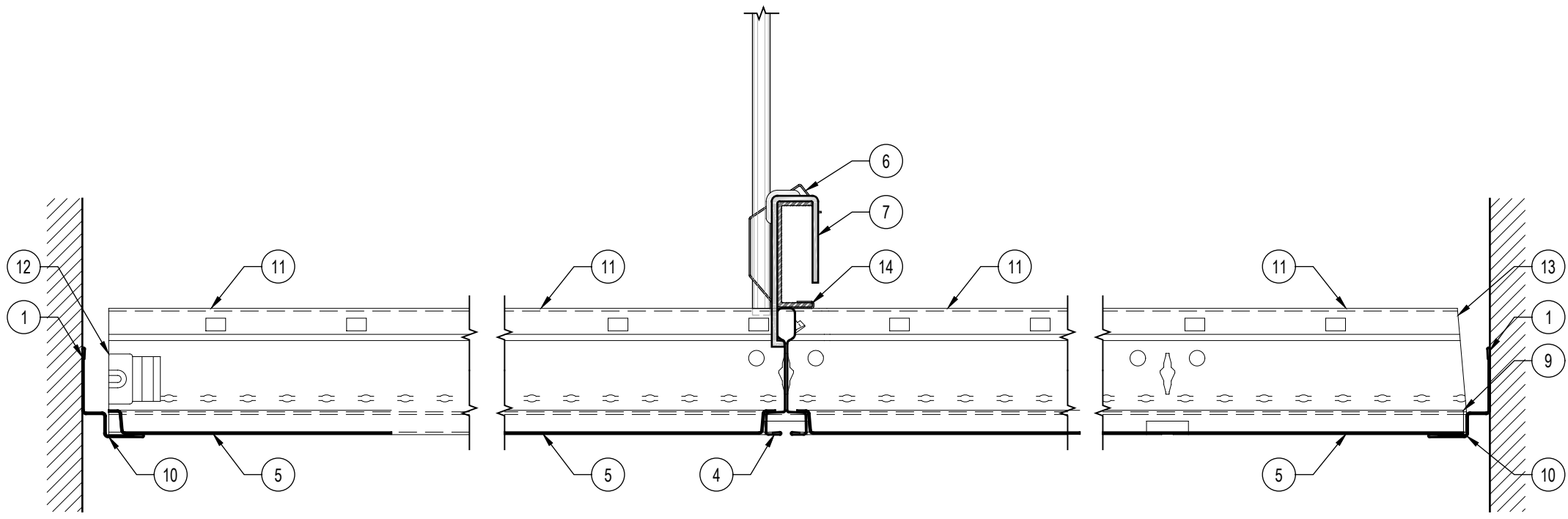
ADDITIONAL NOTES:
1. MECHANICAL FASTENERS MAY BE REQUIRED. CHECK WITH LOCAL CODE FOR COMPLIANCE.



1 DXFF CROSS TEE ELEVATION WITH PANZ PANEL
FULL CEILING PANEL WITH WALL ANGLE
Scale: 6" = 1'-0"

2 DXFF GRID ATTACHED TO SUSPENDED STEEL FRAMING - CROSS TEE ELEVATION
PANEL AND GRID SECTION CUT THROUGH MAIN TEE
Scale: 6" = 1'-0"

3 DXFF CROSS TEE ELEVATION WITH PANZ PANEL
FIELD-CUT GRID AND PANEL AT WALL ANGLE
Scale: 6" = 1'-0"



4 DXFF MAIN TEE ELEVATION WITH PANZ PANEL
FULL CEILING PANEL WITH SHADOWLINE ANGLE
Scale: 6" = 1'-0"

5 DXFF GRID ATTACHED TO SUSPENDED STEEL FRAMING - MAIN TEE ELEVATION
PANEL AND GRID SECTION CUT THROUGH CROSS TEE
Scale: 6" = 1'-0"

6 DXFF MAIN TEE ELEVATION WITH PANZ PANEL
FIELD-CUT GRID WITH SQUARE-CUT PANEL
Scale: 6" = 1'-0"