

USG
Ceiling
Solutions

**USG COMPOSITIONS®
DECORATIVE CLOUDS**

INSTALLATION GUIDE



IT'S YOUR WORLD. BUILD IT.™

USG COMPOSITIONS[®] DECORATIVE CLOUDS

DESCRIPTION

USG Compositions[®] are decorative ceiling clouds offered in convenient, ready-to-assemble kits. USG Compositions allow you to create a custom look, accentuate an area or make a unique design statement. The suspension system, trim and suspension wire is pre-cut and ready to assemble.

EACH KIT CONTAINS

- USG Compässö™ Elite Extruded Perimeter Trim, factory curved and cut to form a cloud to the required size and shape
- Suspension system and tee brace components precut
- Hanger wire, no. 12-gauge galvanized, soft-annealed, mild steel wire, cut to 6' length, in the amount required for the installation
- USG Compässö Elite extruded perimeter trim splice plates
- Attachment clips to connect the trim to the suspension system components

Note: Pop rivets, screws and hardware required for attachment to the structure are not included. Compositions kits contain all of the components required to construct and hang a complete cloud except for the screws or pop rivets needed to attach the clips to the grid members and the hardware needed for attachment to the structure. Hanger wire needed for extended distances to the structure is not included.

Ceiling panels are ordered separately.

Many building codes require nonstructural building components to be restrained. USG recommends restraint in accordance with all local building code requirements. Please consult with the Authority Having Jurisdiction over the project to determine appropriate restraint requirements for the installation of Compositions. Restraints are not included in the kit.

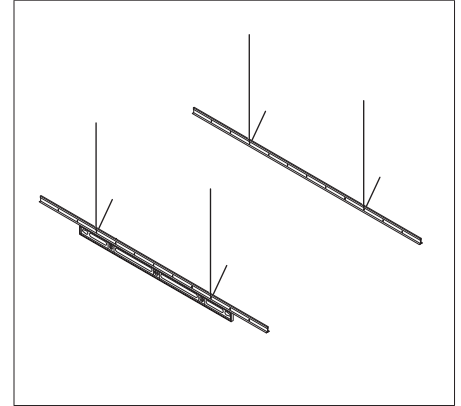
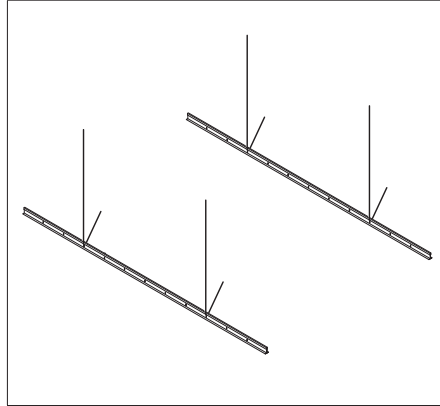
Placement of Compositions may obstruct or distort the existing or planned fire sprinkler water distribution pattern, or possibly delay the activation of the fire sprinkler or fire detection system. USG recommends consulting a fire protection engineer, NFPA 13, and the local code authority for guidance on the proper installation techniques where fire detection or suppression systems are present.

CAUTION: Ceiling panels used in Compositions shall not exceed 4 lb. (1.81 kg). Thorough component and full-scale load tests were conducted to ensure performance with a variety of infill panels and loading conditions. Use of panels weighing more than this stated limit could result in failure of suspension system components. Solid wood panels are not recommended.

- 1 Follow good safety/industrial hygiene practices during installation. Wear appropriate personal protective equipment. Read literature before specification and installation.
- 2 Determine the location of the hanger wires: For any type of cloud system this depends on the size and configuration. In order to ensure proper hanger wire location, refer to *USG Compositions™ Systems Guide* (IS267), or included isometric with hanger points noted.
- 3 Determine finished ceiling height.

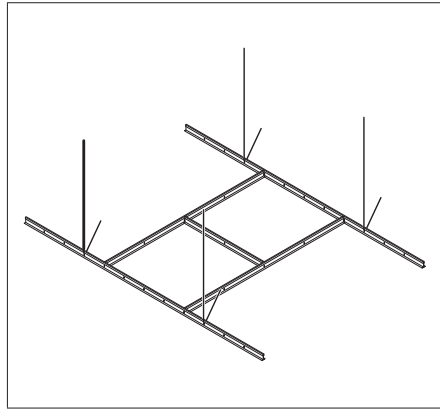
4

Install the main tees on the hanger wires. Level, but do not tie the hanger wires. The added weight of the cross tees and trim will change the hanger wire position slightly so it is good practice to tie the hanger wire after all the trim and grid is installed.



5

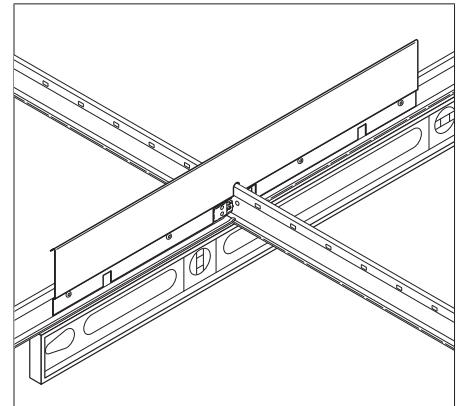
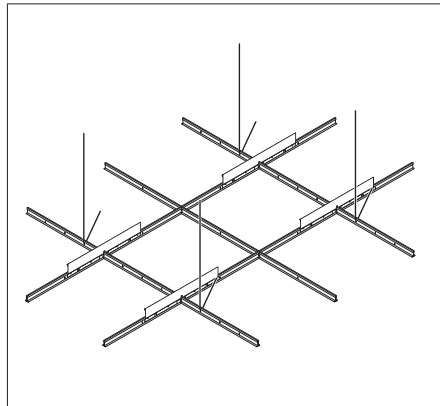
Install all cross tees except perimeter cross tees.



6

Install the perimeter tees followed by the tee brace. Be sure the system is level while installing the tee braces.

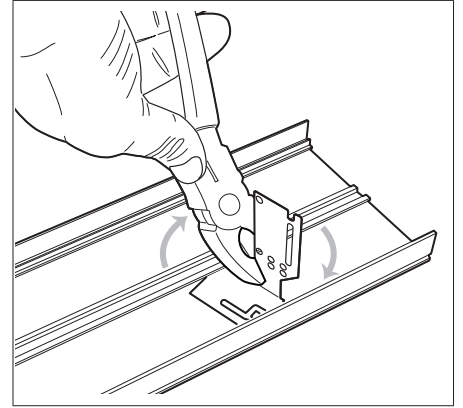
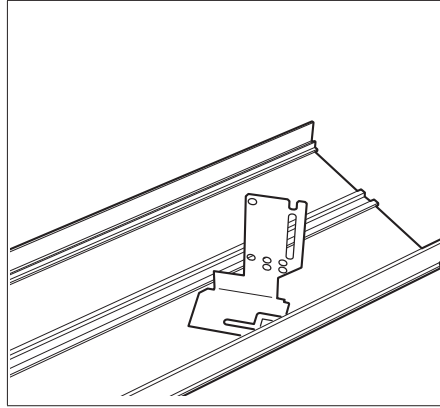
Note: It is important to install the cross tees first and then install the tee brace by fitting it onto the web of the tee and then positioning it on the top surface of the tee. Fasten the tee brace with 1/8" pop rivets or 7/16" pan head screws through the four holes provided. Some systems require an additional tee brace on the tee intersection located at the center of the ceiling system.



7

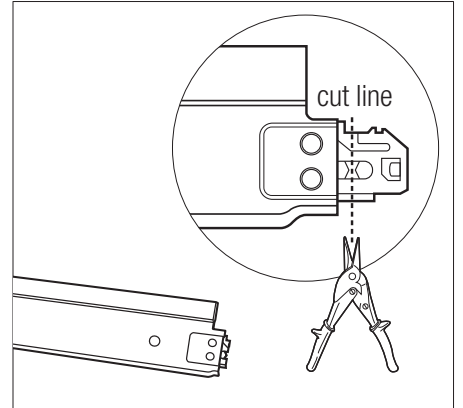
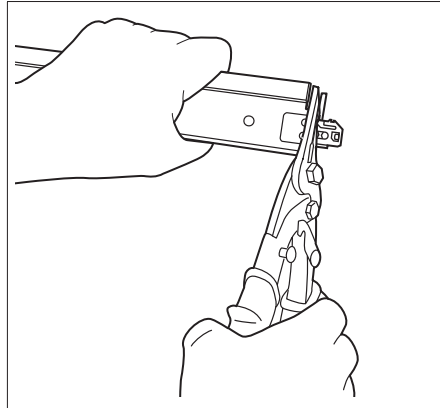
Install the attachment clips onto the USG Compasso™ Trim.

Note: USG recommends leaving the installed trim attachment clips unlocked in the trim channels until the system is ready to receive the ceiling tiles. This allows the installer to position the tees as needed during installation.



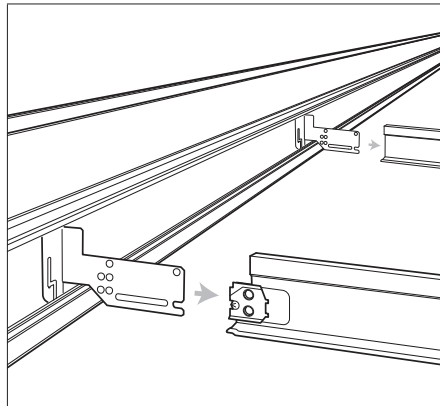
8

Prior to installing the perimeter trim snip off the cross tee clips by cutting them through the middle of the hour-glassed shaped hole.



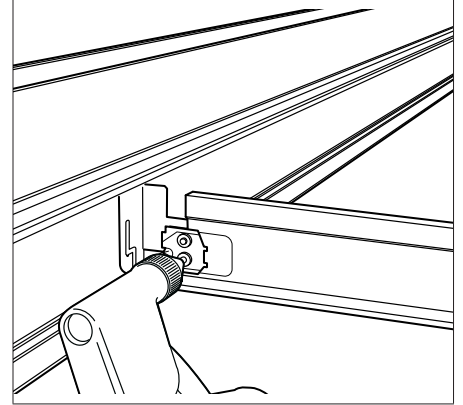
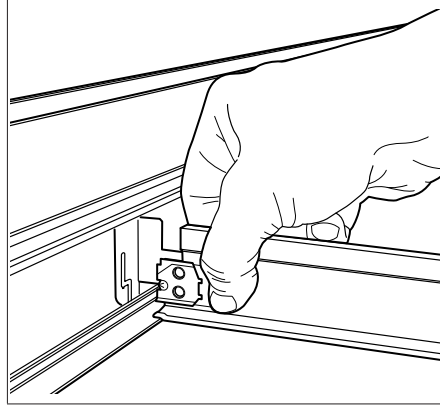
9

Install the trim onto the suspension system by starting with an end cap.



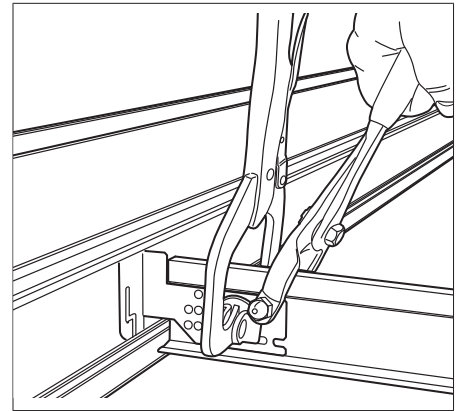
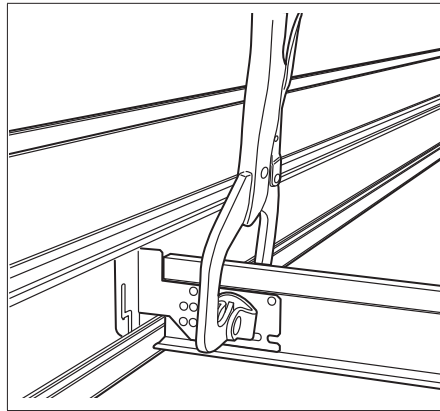
10

For cross tees, once the proper location of the attachment clips has been determined, fasten the clip with two pop rivets installed through the cross tee clip holes.



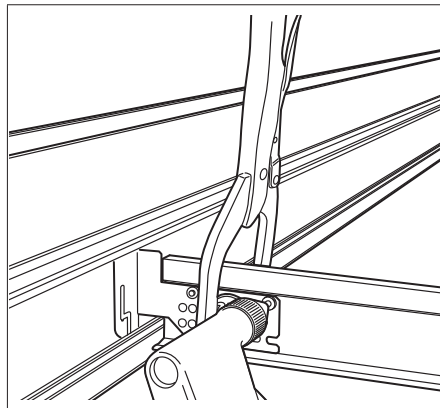
11

For main tees, adjust the attachment clips to the proper location by aligning them against the override feature and temporarily clamping it. Use a hole punch to create rivet holes through the tee aligned with the two top holes through the attachment clip.



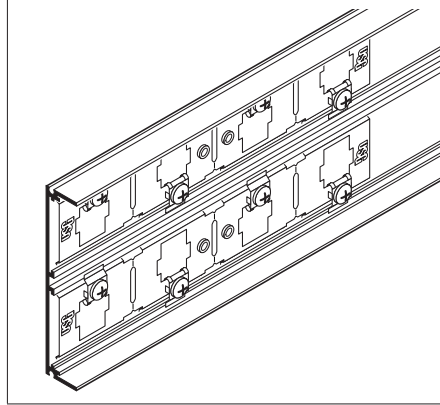
12

Once the holes are punched, fasten the attachment clip to the tee with two pop rivets.



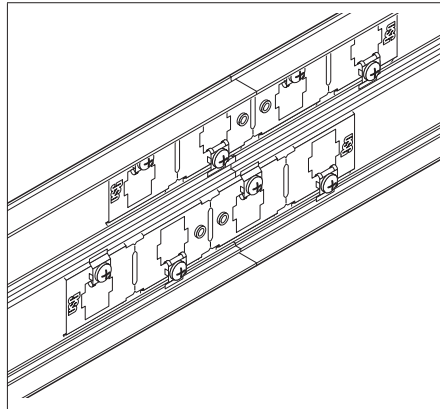
13

Prior to installing the straight trim pieces, be sure to first slide the splice plates in the integral trim channels flush with the edge of the trim so they do not extend beyond the end of the trim.



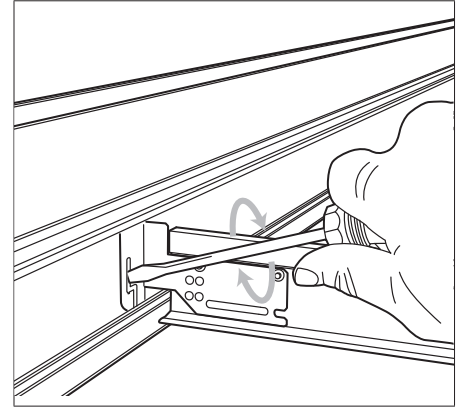
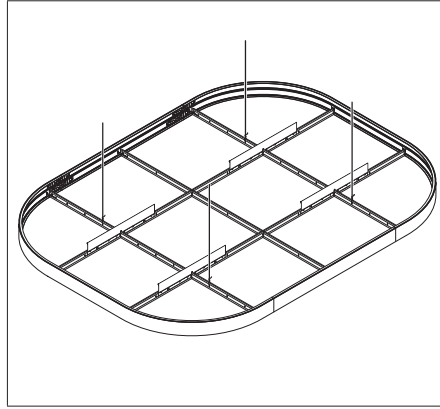
14

Install the straight sides next and position in place. Extend the splice plates to connect the trim pieces with the splice plates installed slightly offset of the center of the connection.



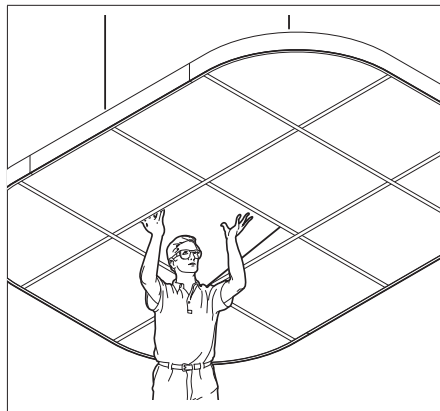
15

Install the remaining end caps and check the system for squareness. At this point the attachment clips may be locked into place. The attachment clips are locked by inserting a flat-blade or straight screwdriver into the vertical slot in the clip and twisting clockwise, keying the clip into the trim. Be sure all hanger wires are securely wrapped.



16

Install ceiling panels after checking for system squareness.



PRODUCT INFORMATION

For the most up-to-date product information, visit usg.com or cgcinc.com

CUSTOMER SERVICE

USG: 800 950-3839

CGC: 800 387-2690

TECHNICAL SERVICE

800 USG.4YOU (874-4968)

WEBSITES

usg.com

cgcinc.com

seismicceilings.com

sustainableceilings.com

usgdesignstudio.com

INSTALLATION

Must be installed in compliance with ASTM C636, ASTM E580, CISCA and standard industry practices, within all applicable code requirements. Alternative assemblies and installation methods may be utilized when approved by the Authority Having Jurisdiction. USG recommends checking with the Authority Having Jurisdiction prior to designing and installing a suspended ceiling system.

CODE COMPLIANCE

The information presented is correct to the best of our knowledge at the date of issuance. Because codes continue to evolve, check with a local official prior to designing and installing a ceiling system. Other restrictions and exemptions may apply. This is only intended as a quick installation reference.

RESTRAINT/SEISMIC BRACING

If restraint or seismic bracing is required please refer to Seismic Technical Guide - Specialty Decorative Ceilings, SC2494, for more information and examples of seismically tested bracing methods. Prior to installation please consult with a licensed architect or engineer in the particular locale of the installation to assure compliance with all legal requirements.

ICC EVALUATION SERVICE, LLC., REPORT COMPLIANCE

Suspension systems manufactured by USG Interiors, LLC, have been reviewed and are approved by listing in ICC-Evaluation Service Report ESR-1222. Evaluation Reports are subject to reexamination, revision and possible cancellation. Please refer to usgdesignstudio.com or usg.com for current reports.

L.A. RESEARCH REPORT COMPLIANCE

USG Donn® Brand Suspension Systems manufactured by USG Interiors, LLC, have been reviewed and are approved by listing in the following L.A. Research Report number: 25764.

NOTICE

We shall not be liable for incidental and consequential damages, directly or indirectly sustained, nor for any loss caused by application of these goods not in accordance with current printed instructions or for other than the intended use. Our liability is expressly limited to replacement of defective goods. Any claim shall be deemed waived unless made in writing to us within thirty (30) days from date it was or reasonably should have been discovered.

SAFETY FIRST!

Follow good safety/industrial hygiene practices during installation. Wear appropriate personal protective equipment. Read SDS and literature before specification and installation.