



USG CEILINGS PLUS[®] ILLUSIONS[®]

FORMED METAL MODULAR
CEILING PANELS

INSTALLATION GUIDE



Introduction

Enter **ILLUSIONS®** - Innovative ceiling designs brought to you by **USG Ceilings Plus**. In this manual we'll show you how to perform the installation the right way, the first time. Go ahead, install with a smile..

The purpose of this installation manual is to provide you with general steps and procedures on how to properly and safely install **ILLUSIONS®** ceiling systems as well as how to address various field conditions.

Please read this entire manual and familiarize yourself with all procedures before you begin. If you have been supplied with project drawings specific to your order, make sure you have a thorough understanding of those. Any details within those documents will supersede this manual. Work area must be clear of debris and obstacles to ensure a safe and fast installation.

Please work safely!

Table of Contents

Preparation

Component Identification	1
Tools	2
Blank Grid	3 - 4

General Installation

Install Hanger Wire & Main Tees	5
Install Cross Tees	6
Level Grid System	7
Install Perimeter Trim Corner Units	8
Install Corner-Adjacent Trim Sections	9
Install Successive & Final Trim Sections	10
Install Illusions Panels	11
Install Remaining Illusions Panels	12
Column Integration	13 - 14
Angled Wall Condition	15 - 18

MEP Integration

Lighting & HVAC Integration	19 - 22
Fire Sprinklers Integration	23 - 24

Maintenance

Adjust & Clean	25
----------------	----

Support

Contacts	25
----------	----

Notices

26

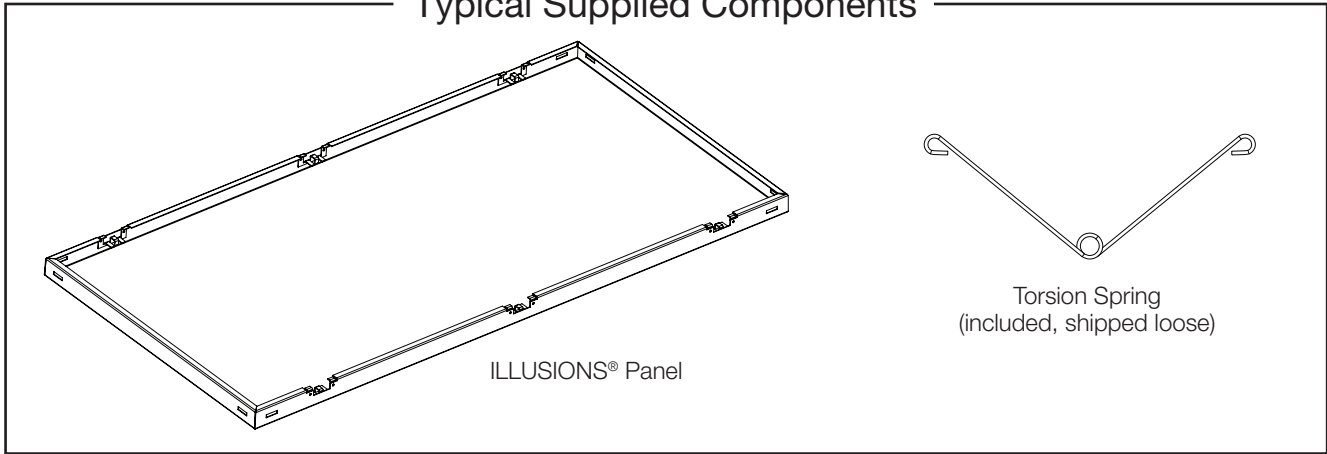
Notes

27 - 28

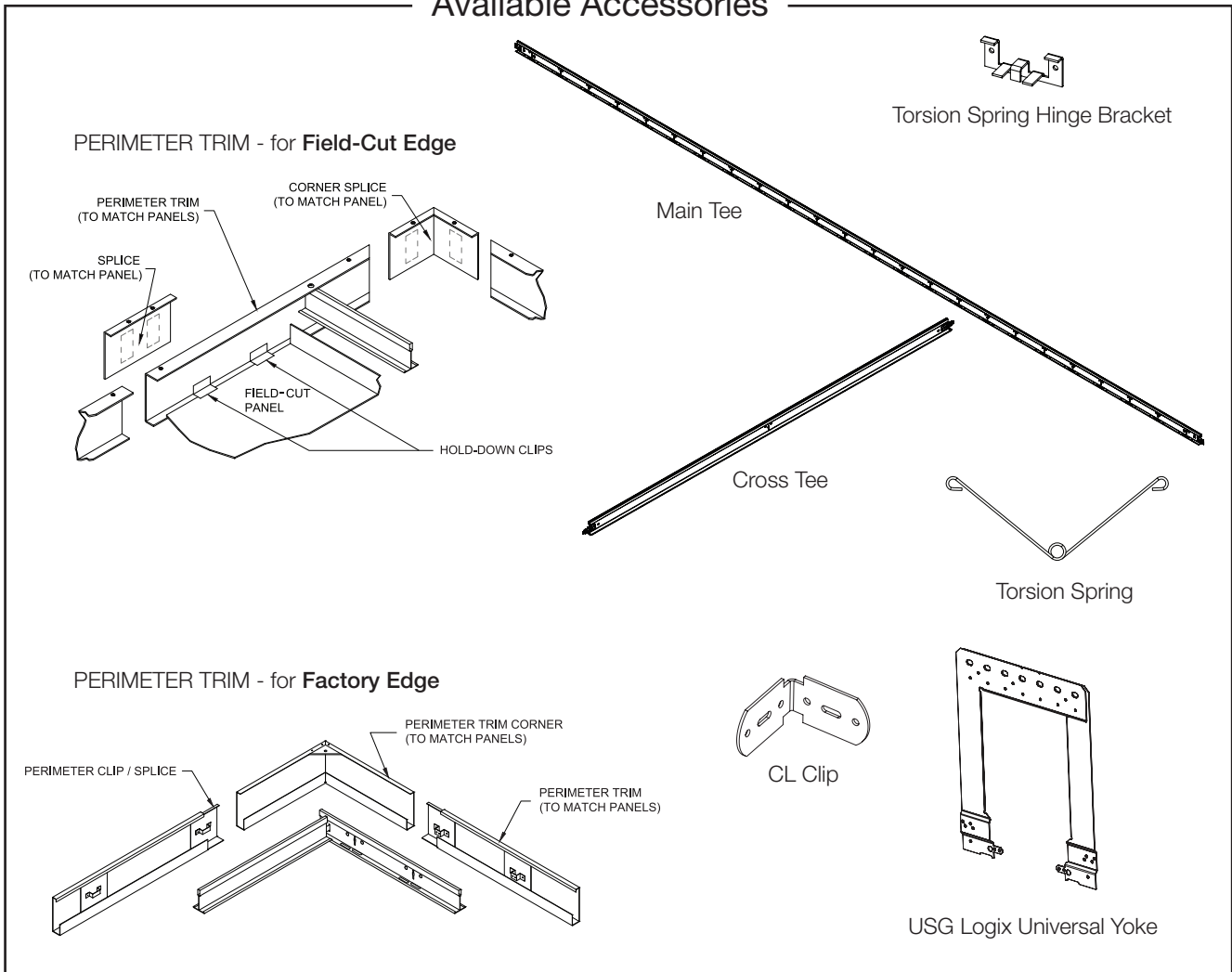
Preparation

Component Identification

Typical Supplied Components

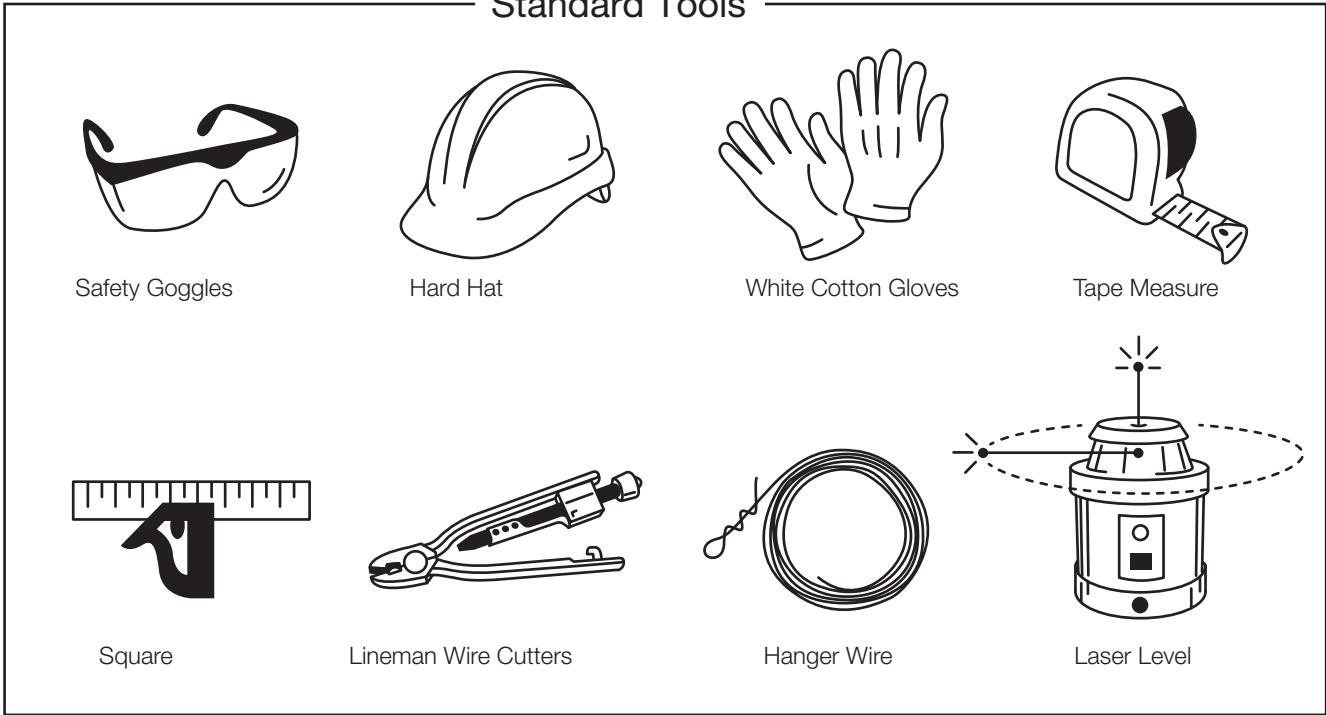


Available Accessories

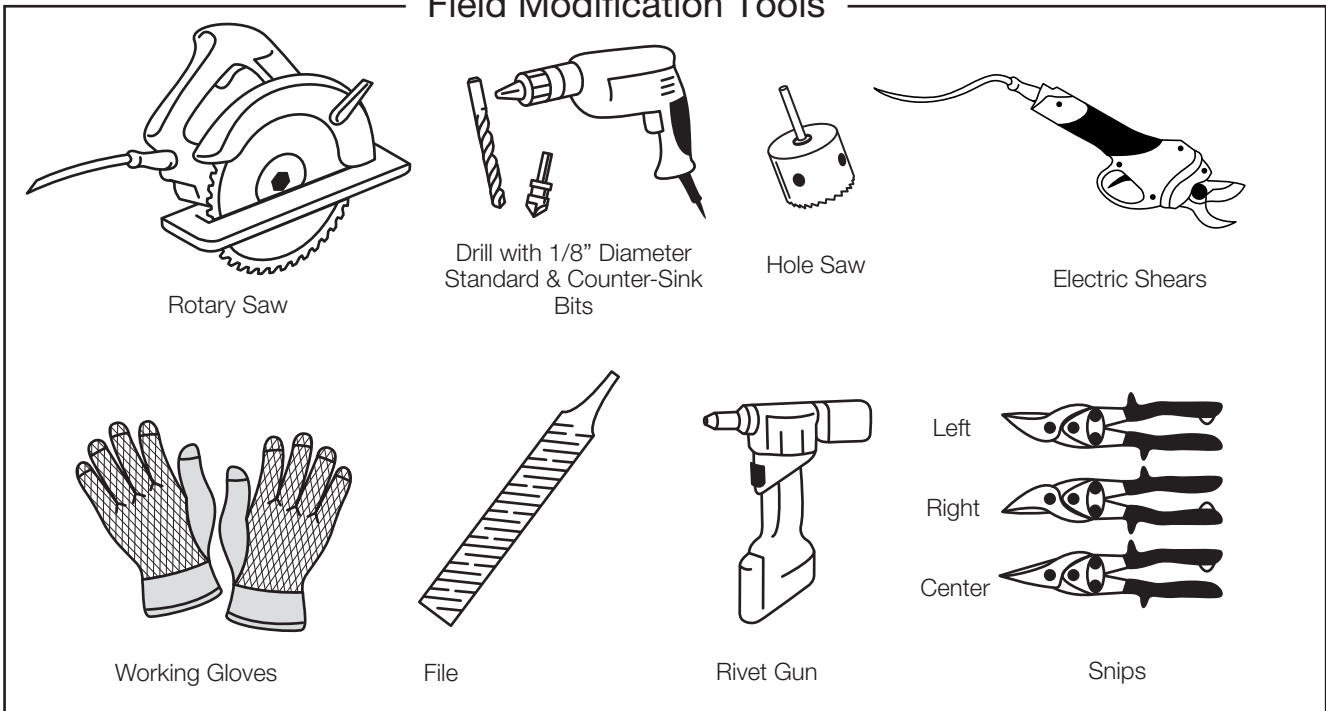


Preparation Tools

Standard Tools



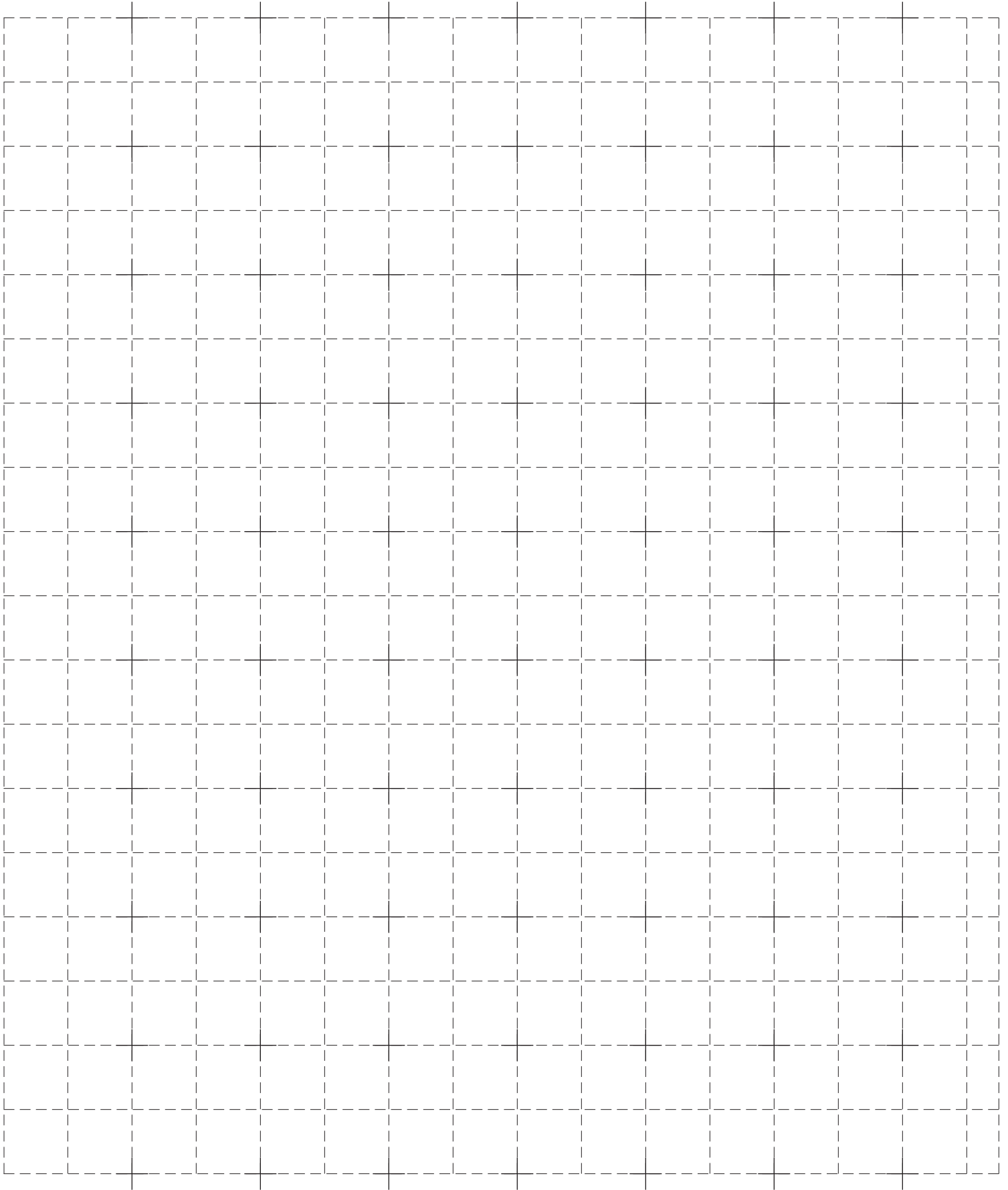
Field Modification Tools



Grid Planning

Blank Grid

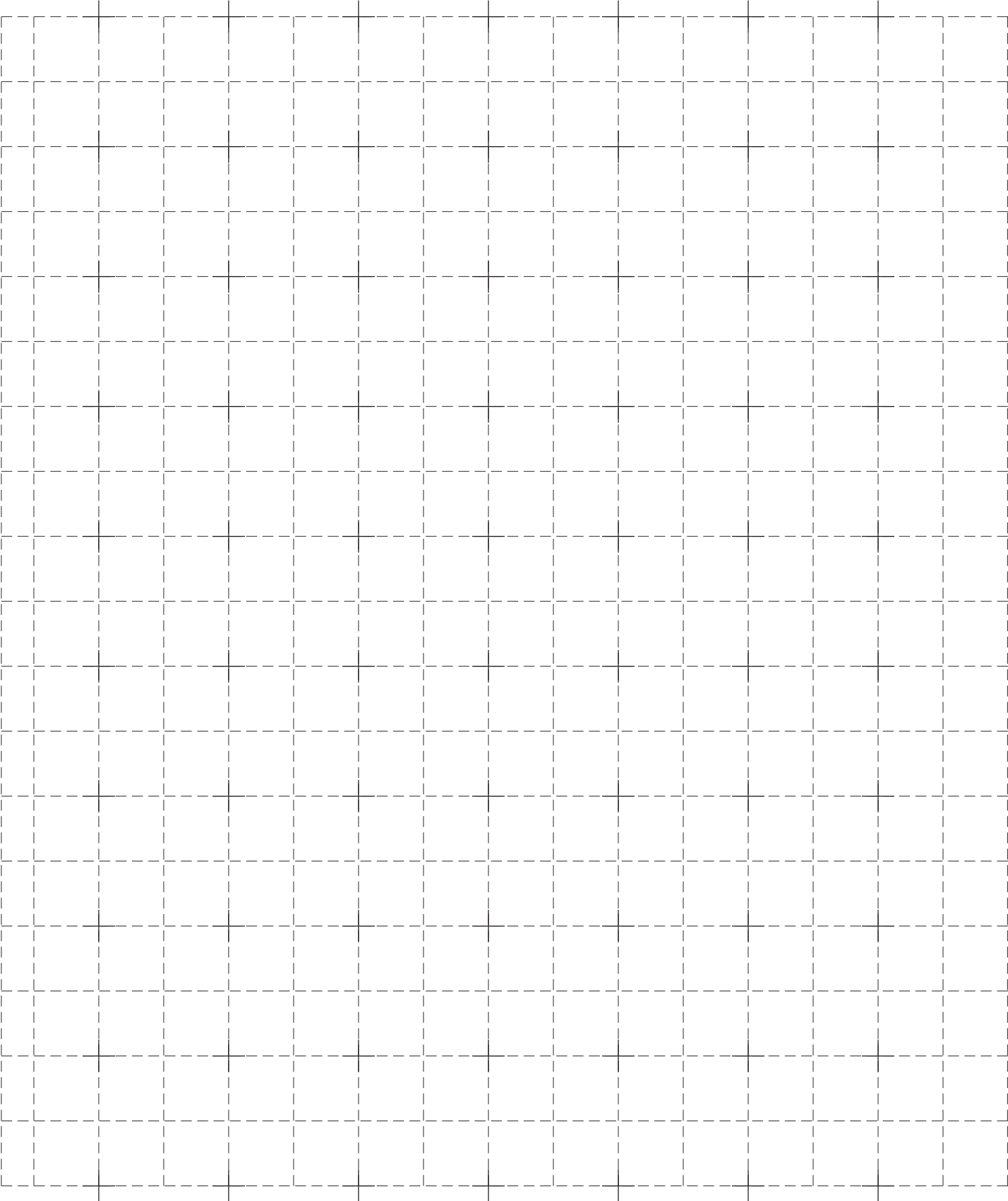
Crosses @ 4'⌞ ,Dashed Lines @ 2'⌞



Grid Planning

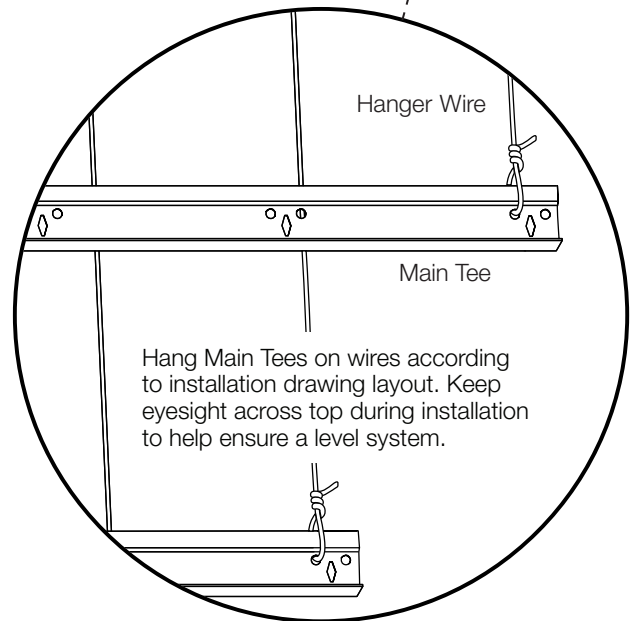
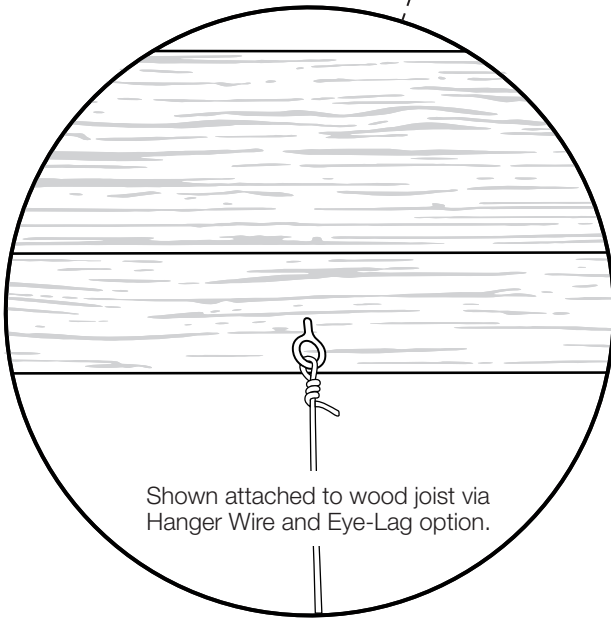
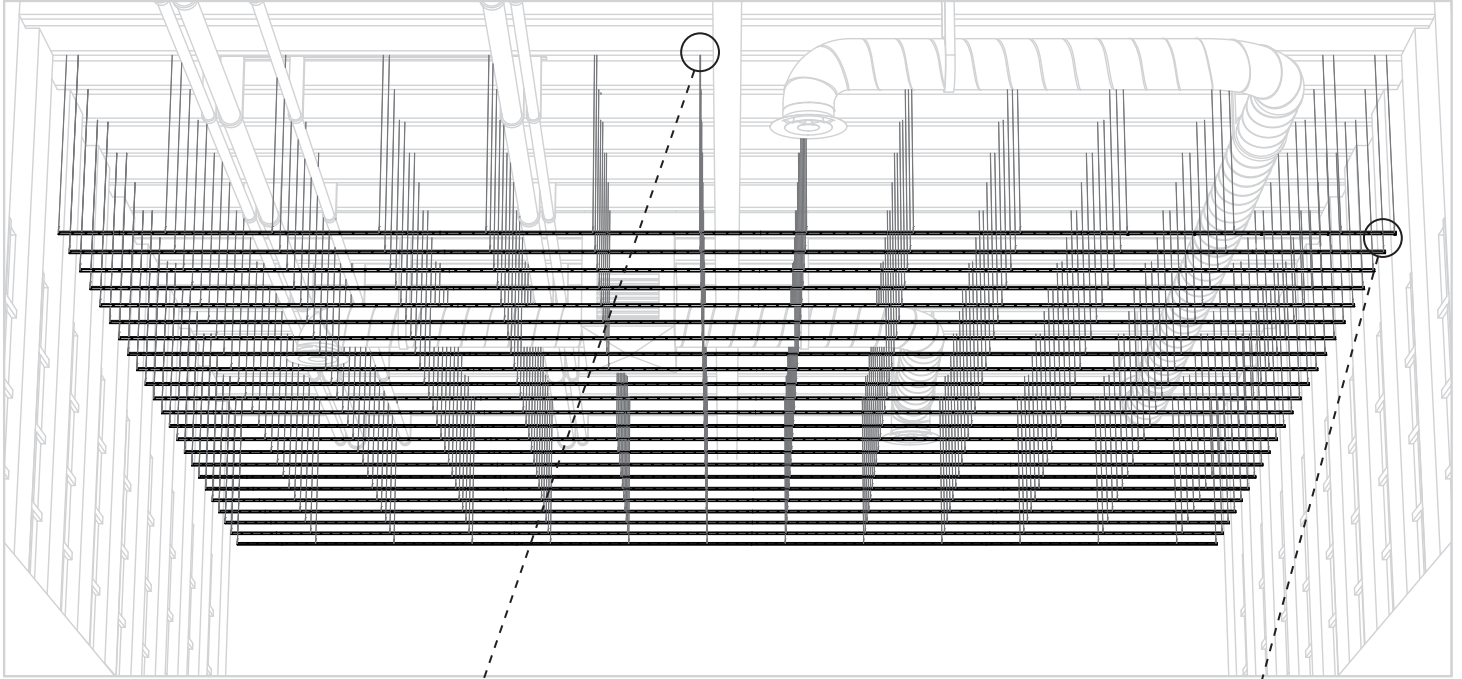
Blank Grid

Crosses @ 4'⌀ ,Dashed Lines @ 2'⌀



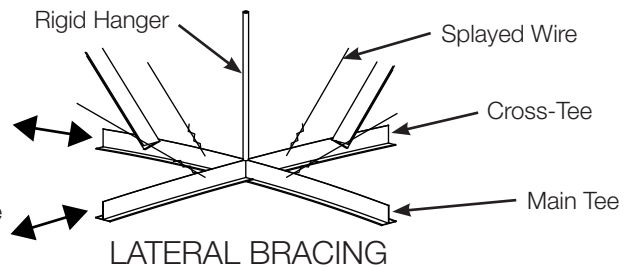
General Installation

Install Hanger Wire & Main Tees



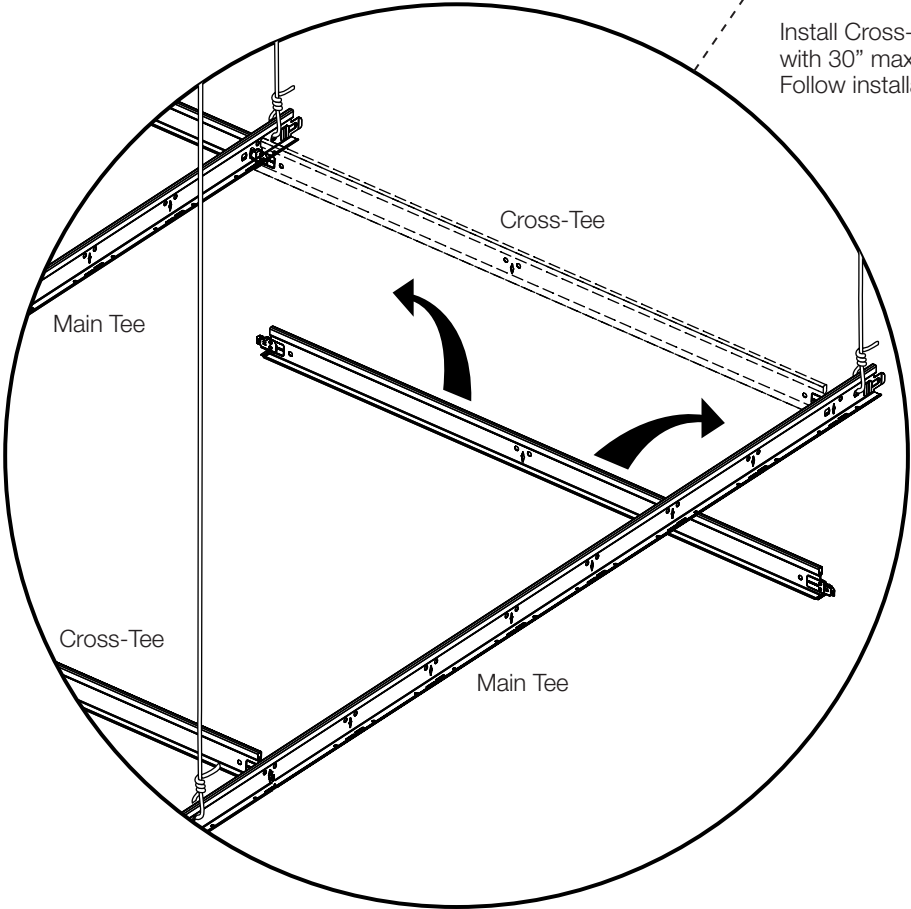
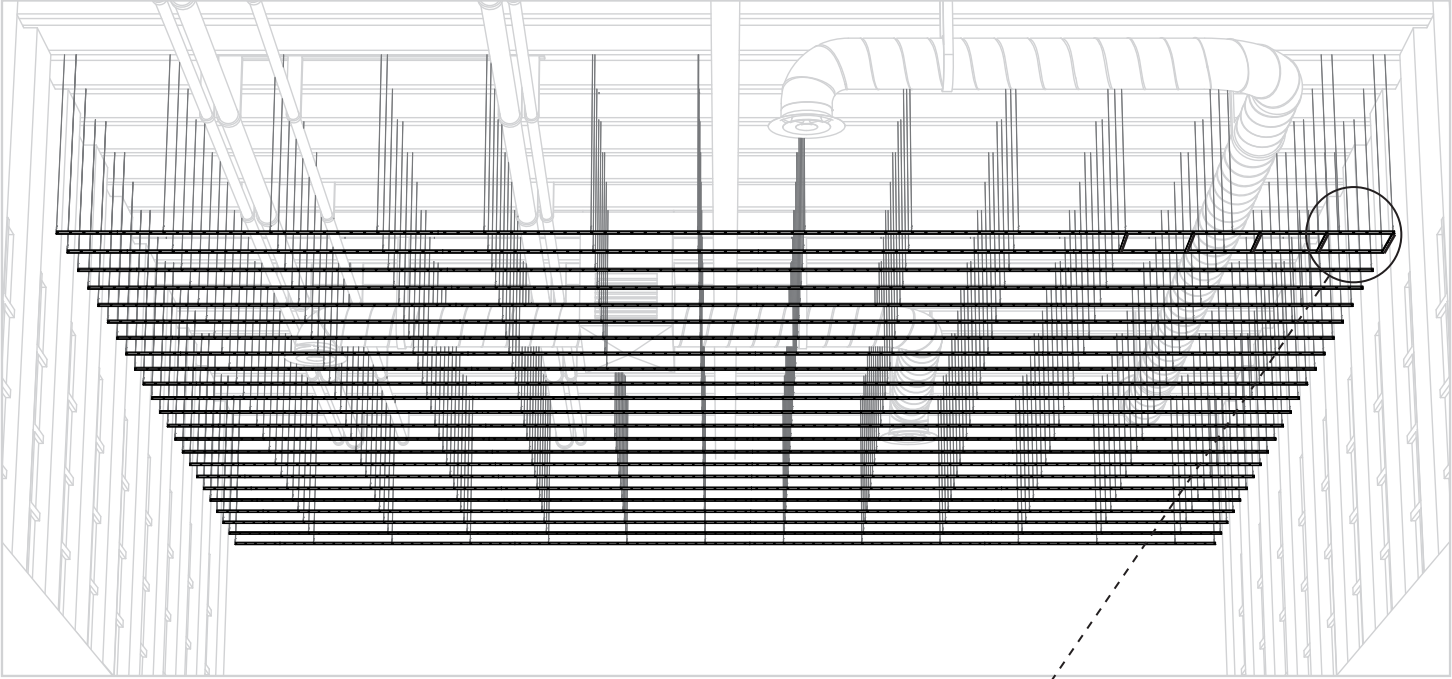
Install per ASTM C636 and ASTM E580 specifications. Select the correct fastener based on your field conditions, i.e. shot-in pin, anchor bolts, screw/clip, etc.

Install additional bracing required for project's seismic codes. Lateral bracing wires/compression posts. For lateral bracing, counter-splayed wires or diagonal bracing are required for each direction.



General Installation

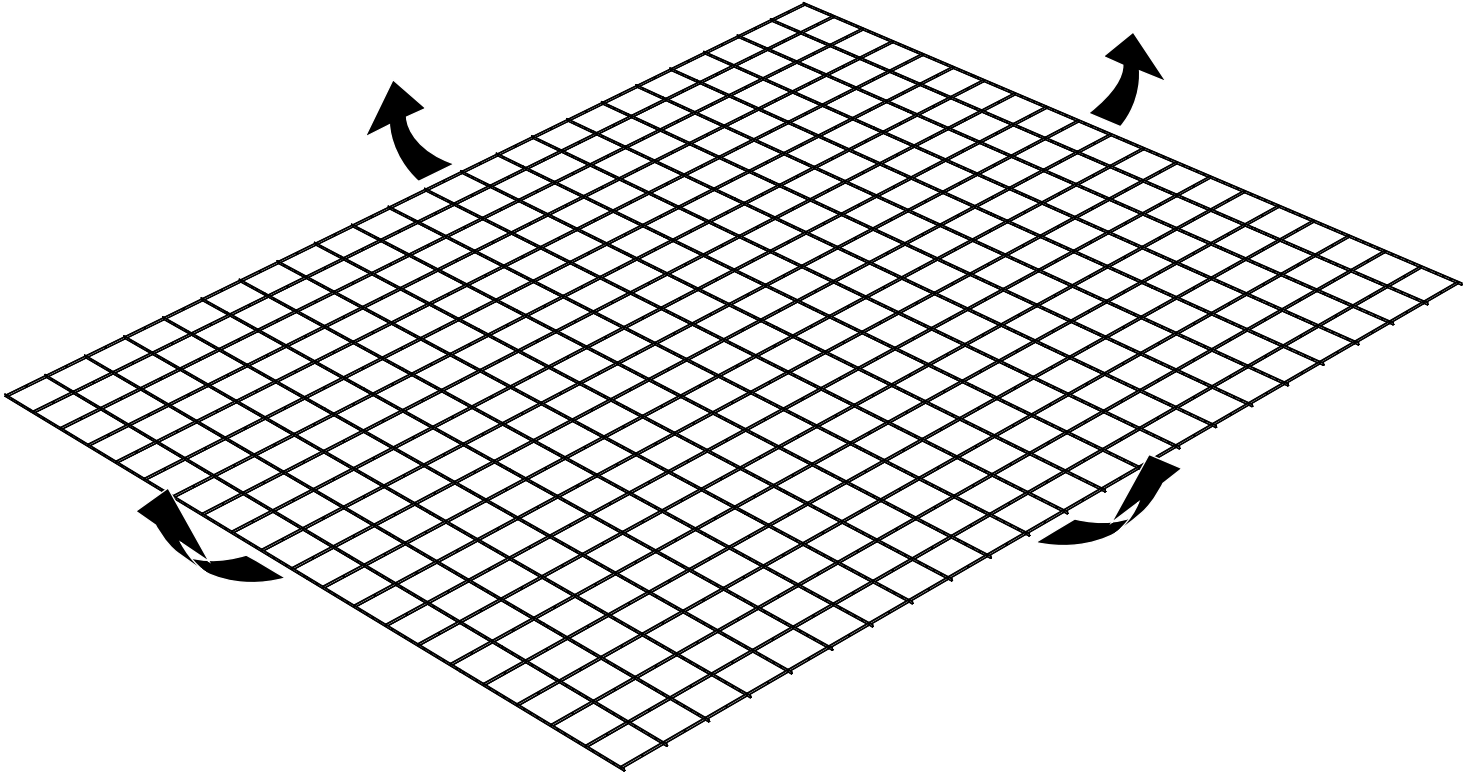
Install Cross Tees



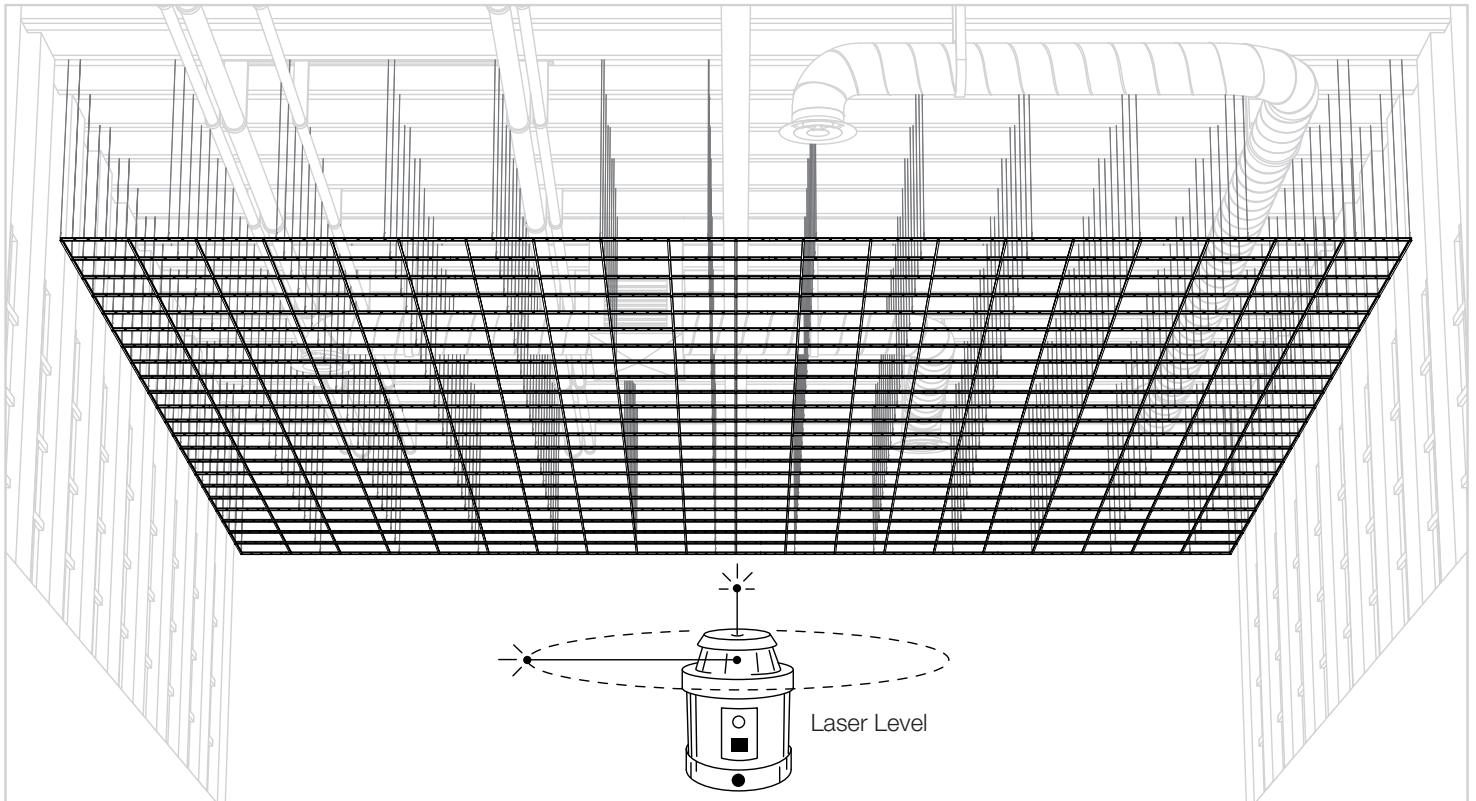
Install Cross-Tees between Main Tees with 30" maximum \varnothing spacing. Follow installation drawing layout.

General Installation

Level Grid System

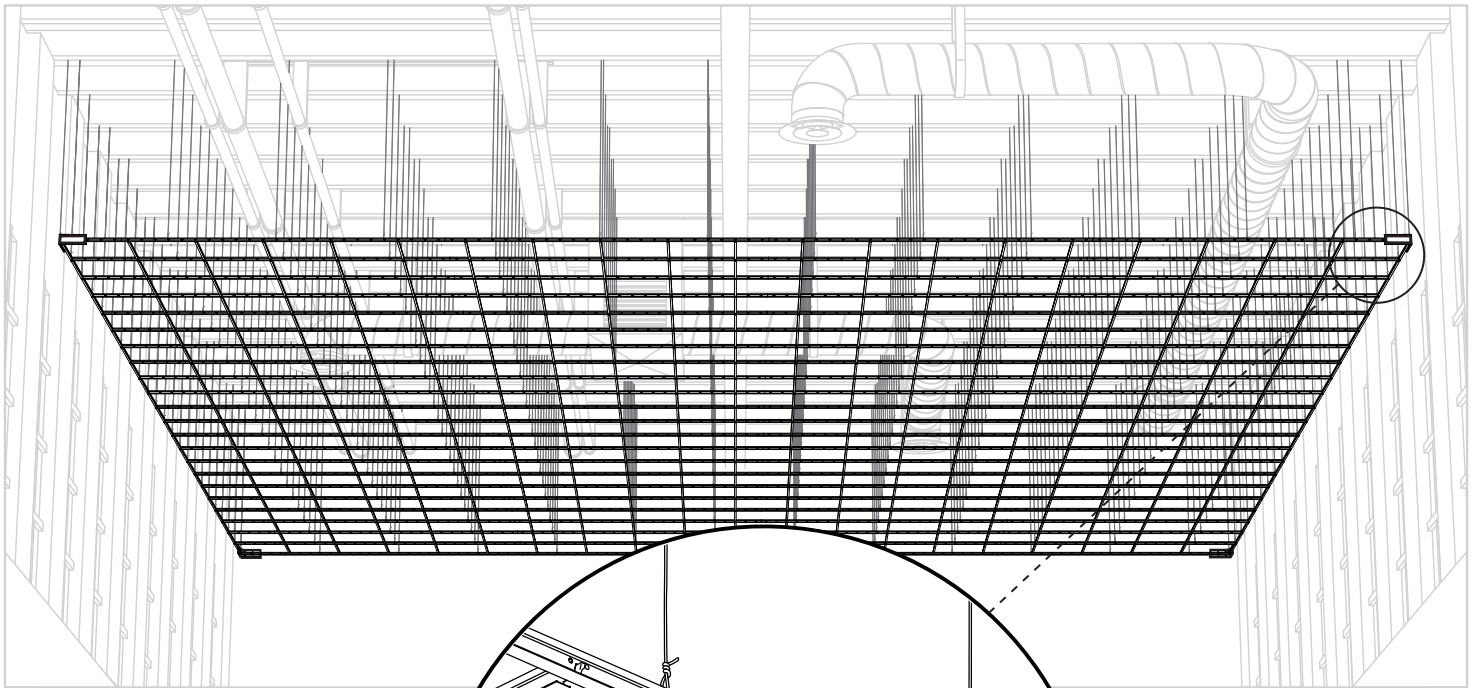


Use laser level to ensure whole grid is leveled to a 1/8" maximum variance.



General Installation

Install Perimeter Trim Corner Units

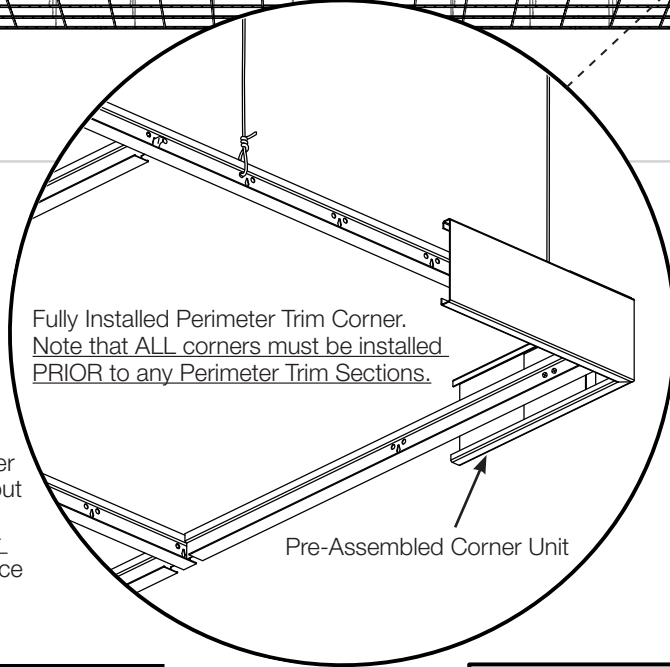


Step 1

PREPARE PRE-ASSEMBLED CORNER TRIM UNIT

A) Insert and slide Splicer Brackets into place at each end of the assembled Corner Unit to approximately 6-5/8" OC from edge. Horizontal positions of Splicer Brackets may be adjusted as needed, but noting that other Splicer Brackets from adjoining Sections will occupy area over Seams On Center and will need clearance (see next page for this detail).

Fully Installed Perimeter Trim Corner.
Note that ALL corners must be installed PRIOR to any Perimeter Trim Sections.

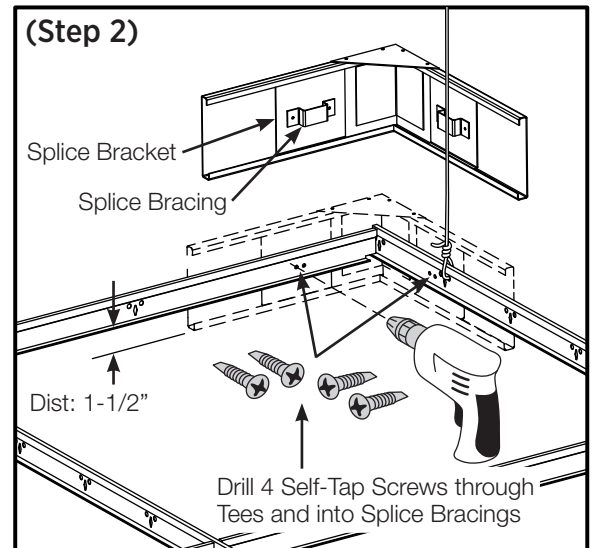
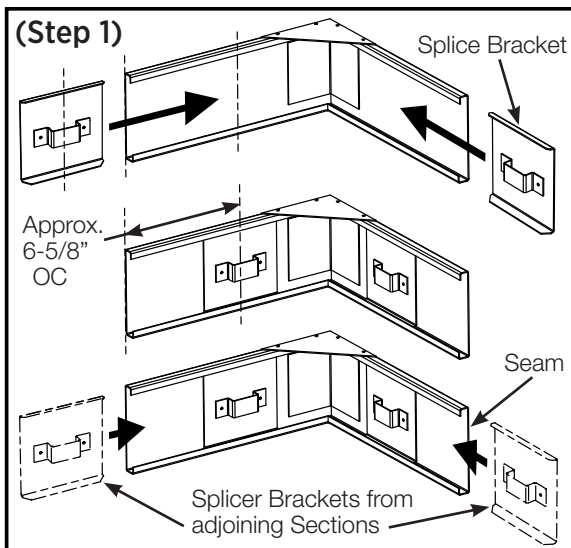


Step 2

MOUNT CORNER TRIM UNIT

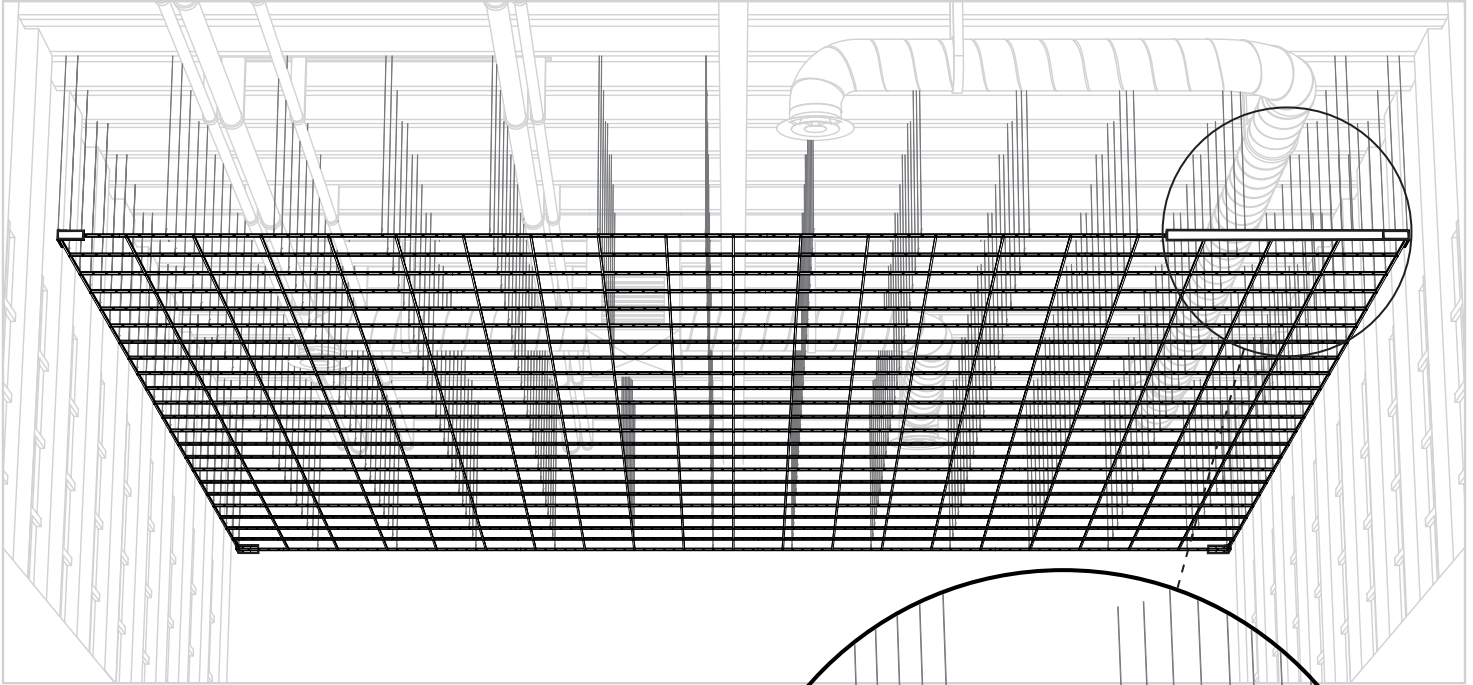
A) Align assembled Corner Trim Unit with Tees as shown below and hold in place at 1-1/2" down from bottom of Tee to bottom of Corner Unit.

B) Using 4 Self-Tap Screws, fasten Splicer Bracing to Tees.



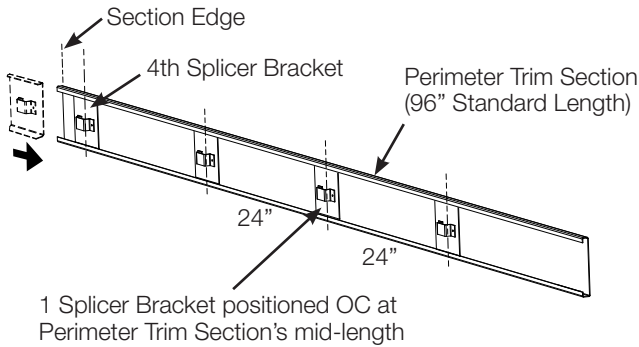
General Installation

Install Corner-Adjacent Trim Sections

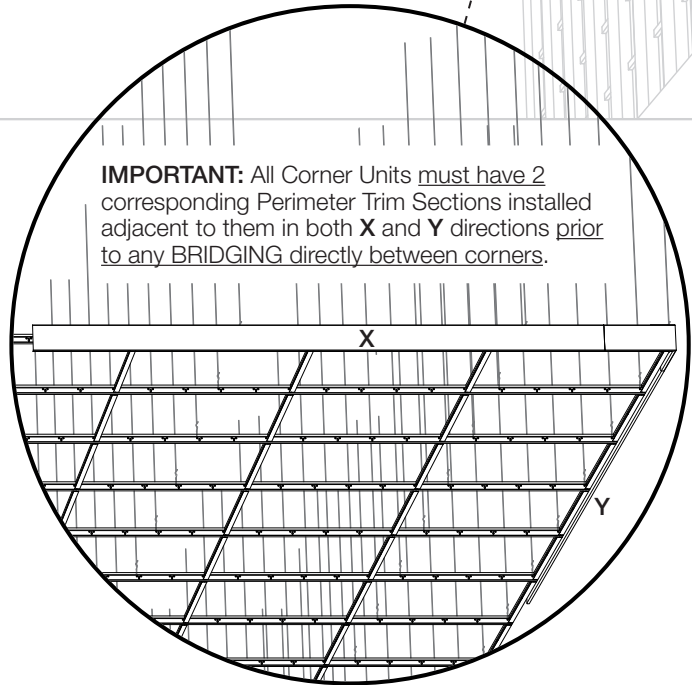


PREPARE PERIMETER TRIM SECTION

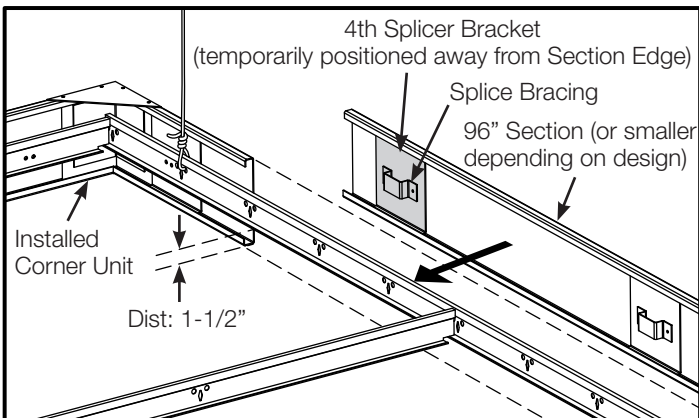
A) Insert 3 Splicer Brackets and slide into place with 1 positioned at center of Trim Section's total length and 1 on each side of it, spaced at 24" OC. Insert a 4th bracket, temporarily positioning it in and away from the Section Edge during alignment with Tees/Grid.



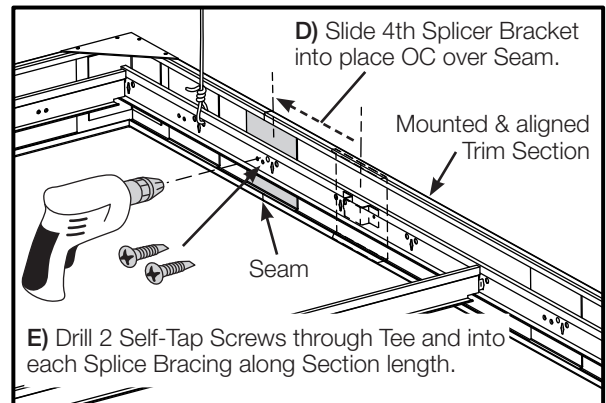
IMPORTANT: All Corner Units must have 2 corresponding Perimeter Trim Sections installed adjacent to them in both **X** and **Y** directions prior to any BRIDGING directly between corners.



B) Align Perimeter Trim Section with Tee and hold in place at 1-1/2" down from bottom of Tee to bottom of Trim Section body.

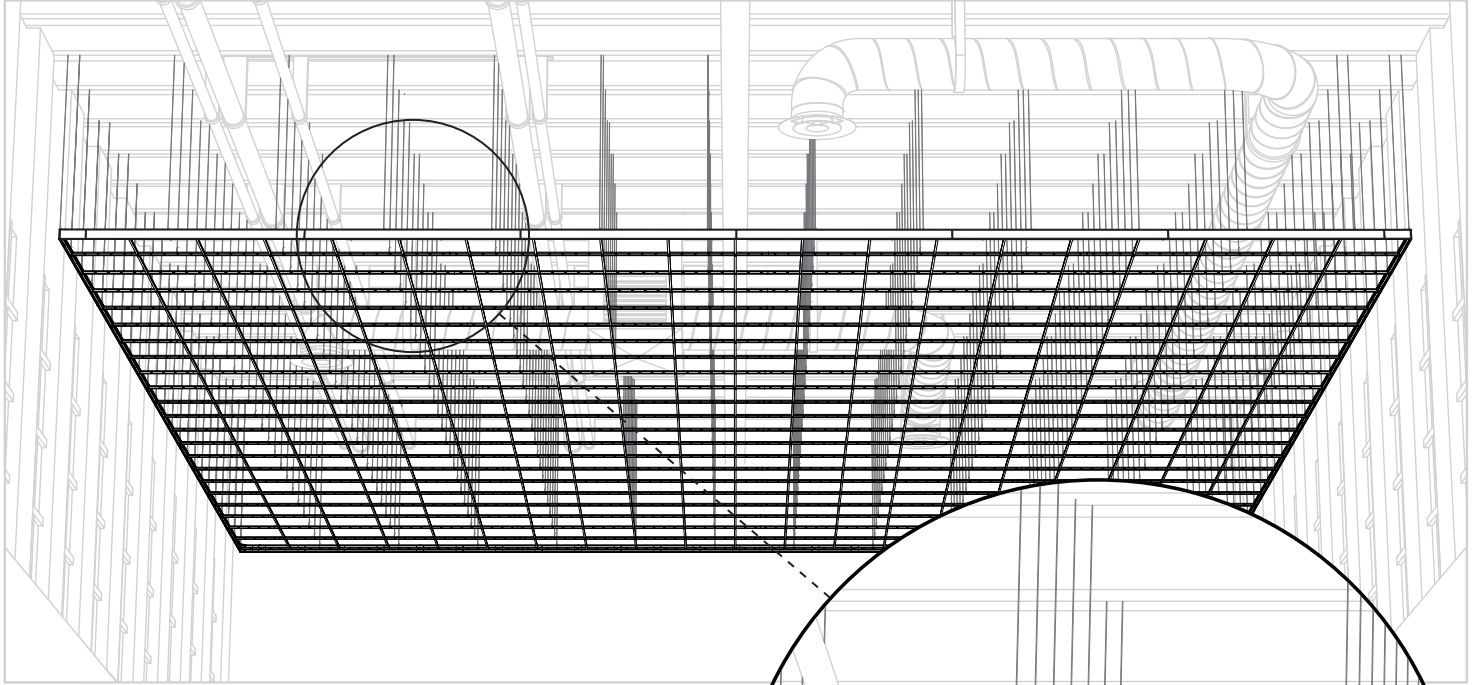


C) Fasten Splicer Bracing to Tees. Horizontal position of all Splicer Brackets may be adjusted as needed. Repeat Steps A through E on **X & Y** at all corners.



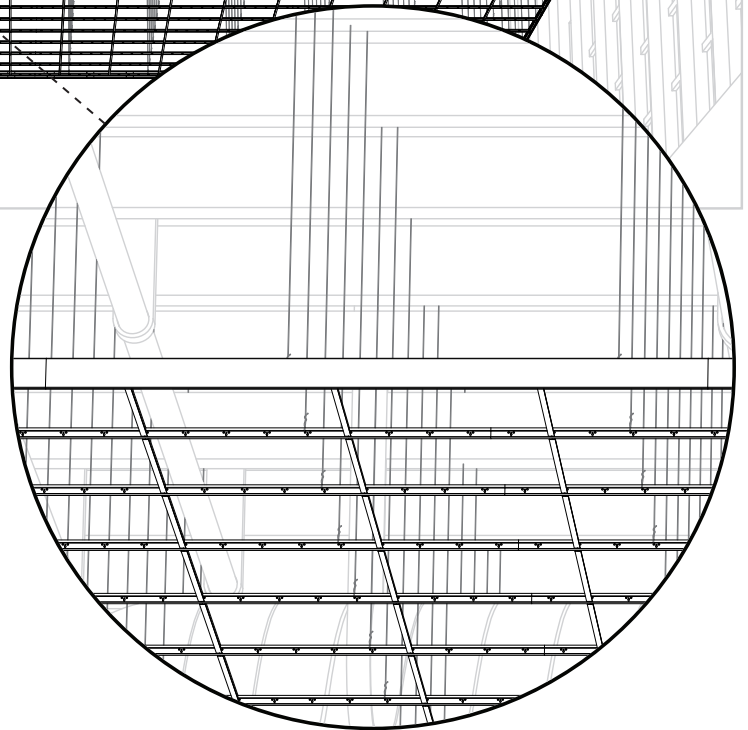
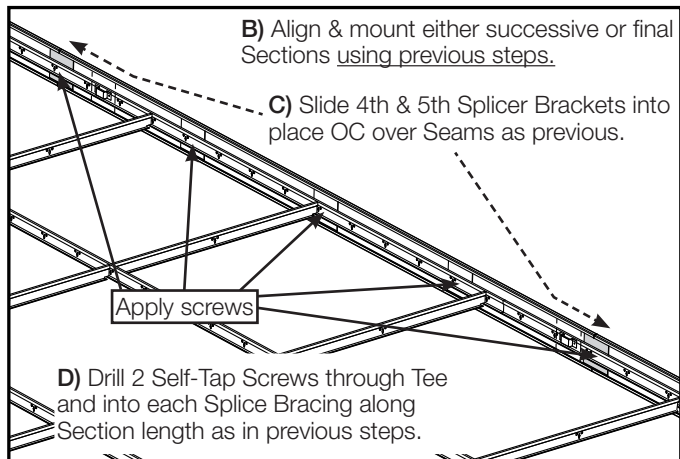
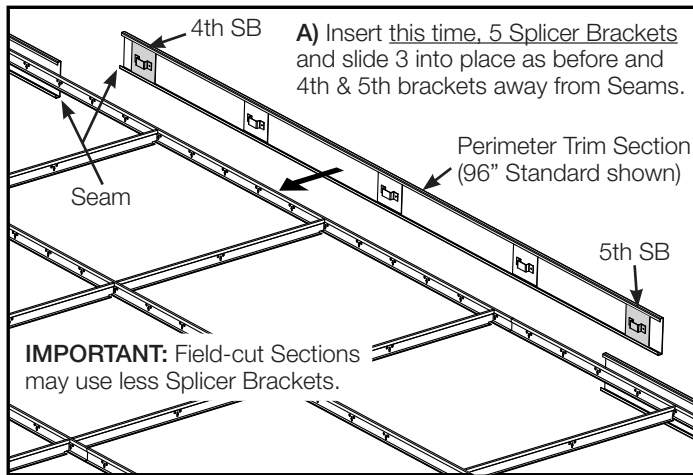
General Installation

Install Successive & Final Trim Sections

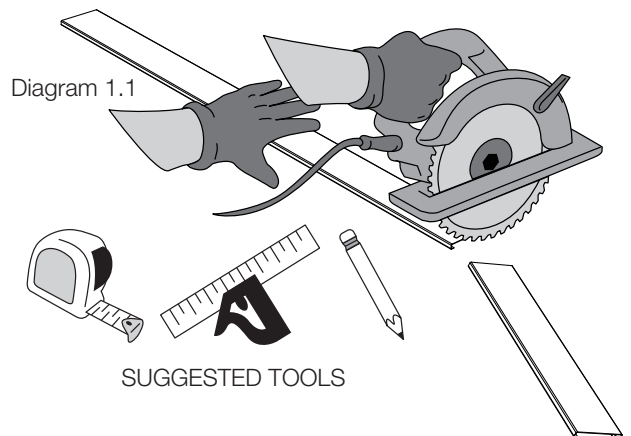


MOUNTING BRIDGE SECTIONS

NOTE: Image below may represent a “successive”, a “final”, or a “Field-Cut” Section mounting procedure (same rules apply). See Diagram 1.1 for field-cut operation.

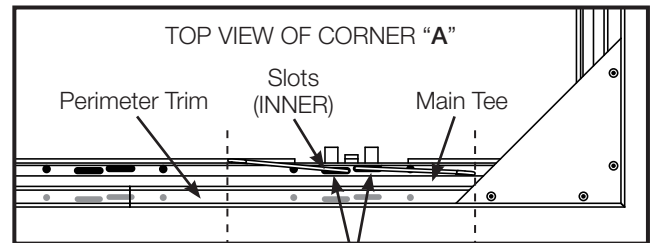
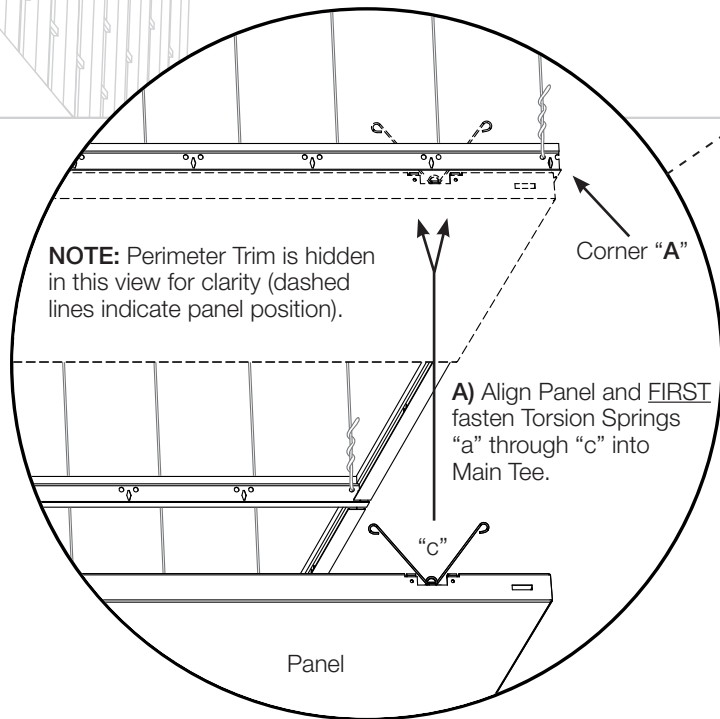
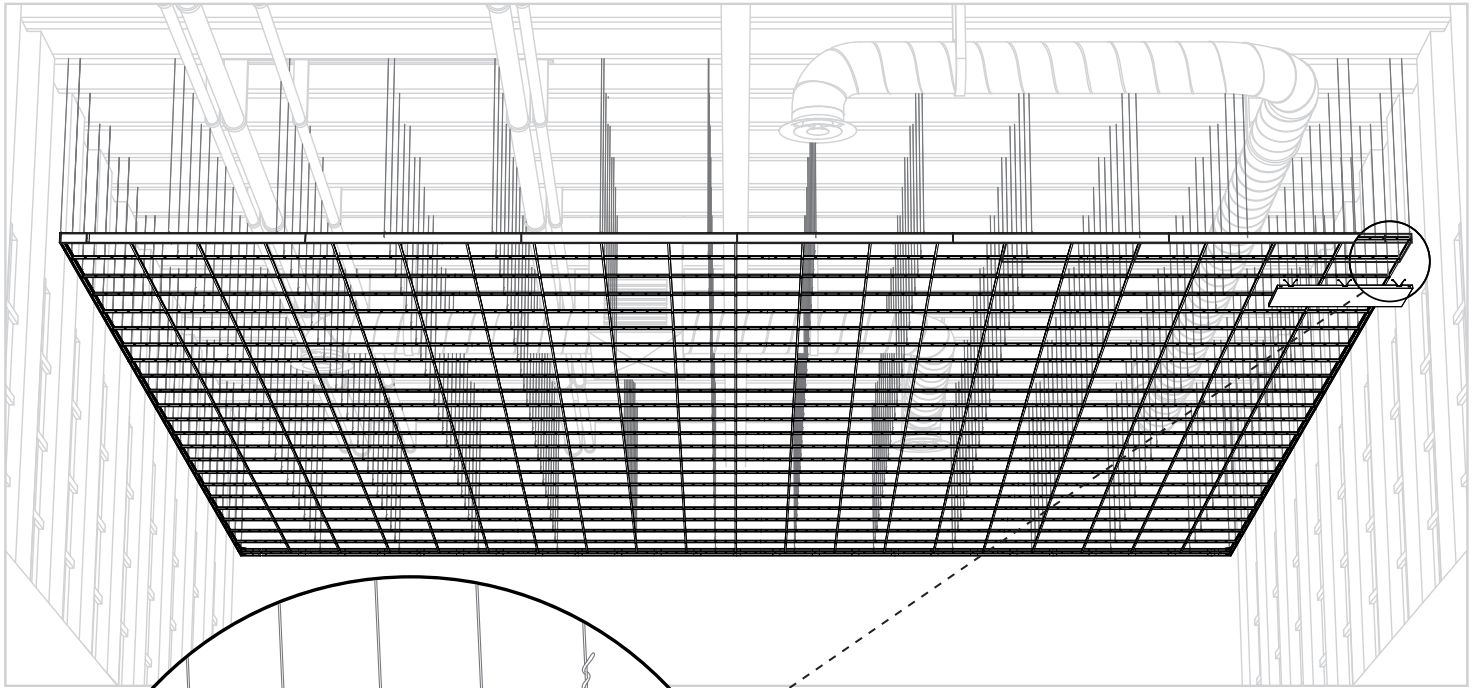


FIELD-CUTTING OPERATION: Measure, mark, & cut. Minimum length for Field-Cut Sections is 6”.

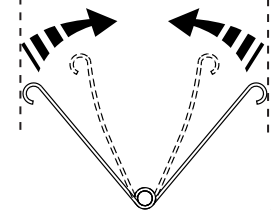


General Installation

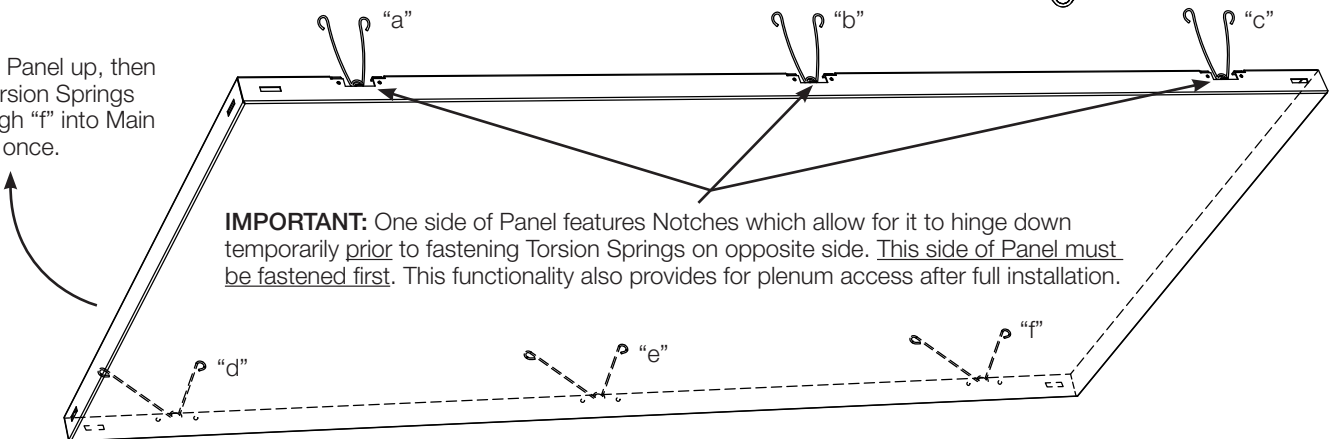
Install Illusions Panels



Compress and insert Torsion Springs into corresponding INNER Slots of Main Tees

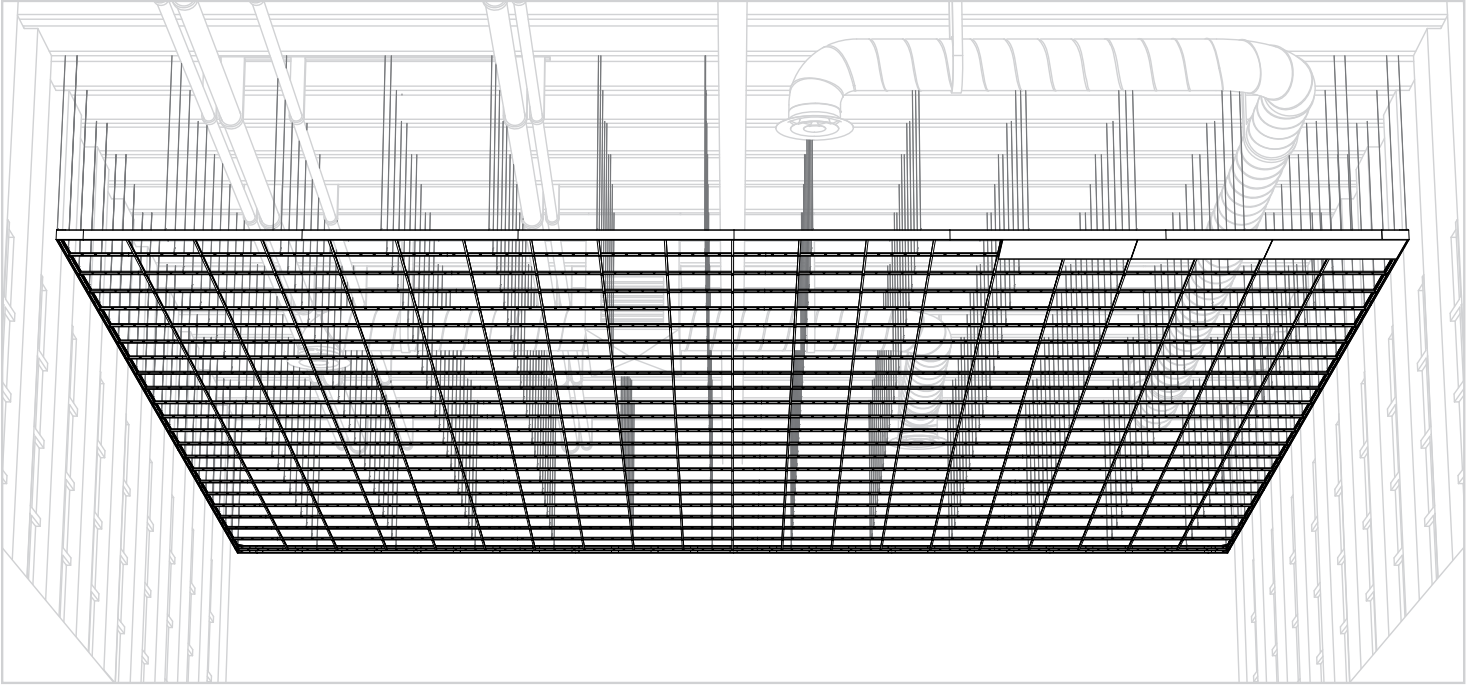


B) Swing Panel up, then fasten Torsion Springs "d" through "f" into Main Tee all at once.



General Installation

Install Remaining Illusions Panels

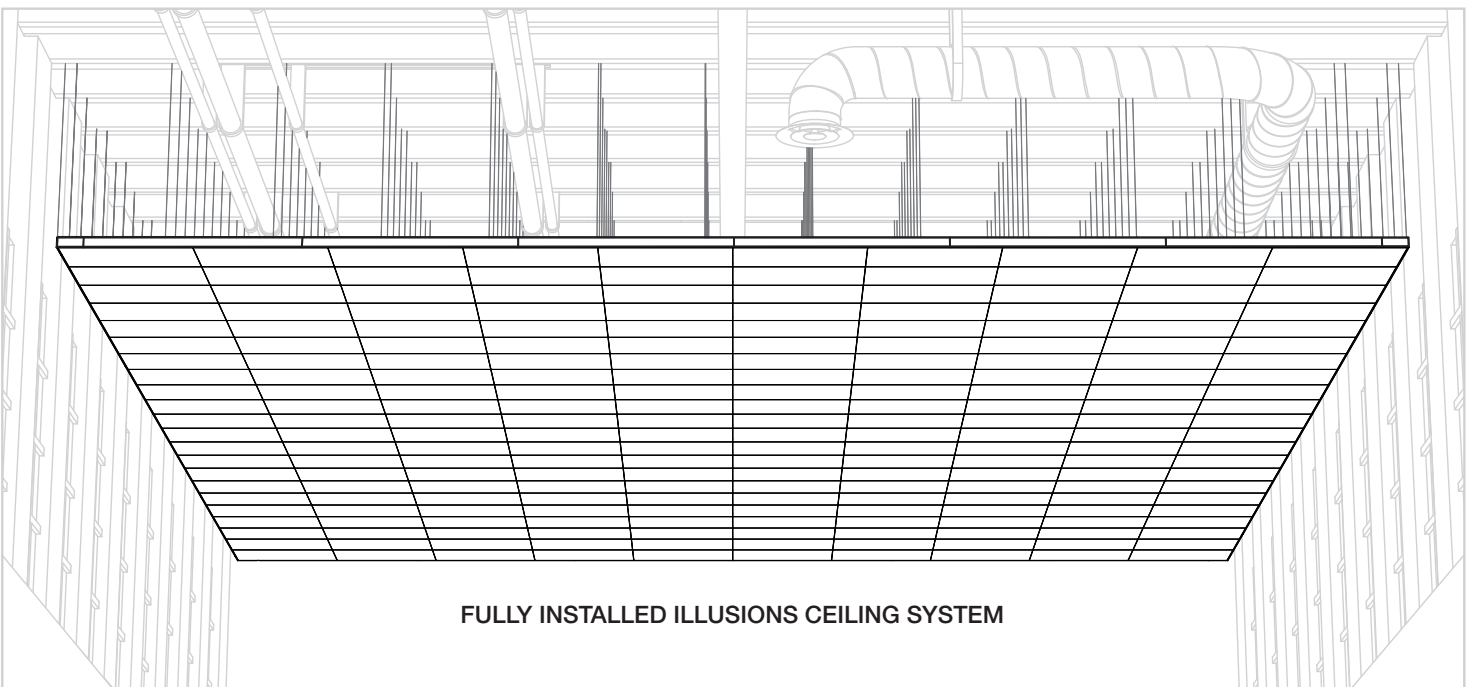


C) Continue installing **all** successive Panels adjacent to Perimeter Trim using previous procedures.

D) Once **all** perimeter-adjacent panels have been installed, proceed with next round of panels, working inward towards center. **NOTE:** It is important to work from perimeter to center, to prevent fastening of Torsion Springs to incorrect Slots. Working inward will make clear which row of slots is next.

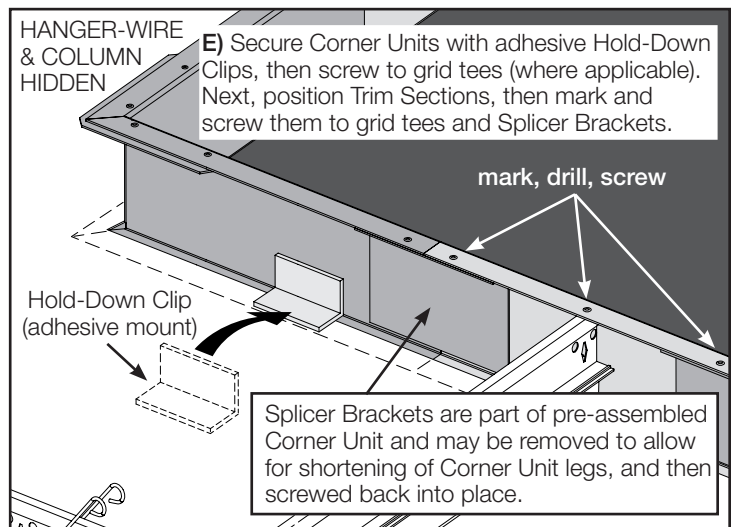
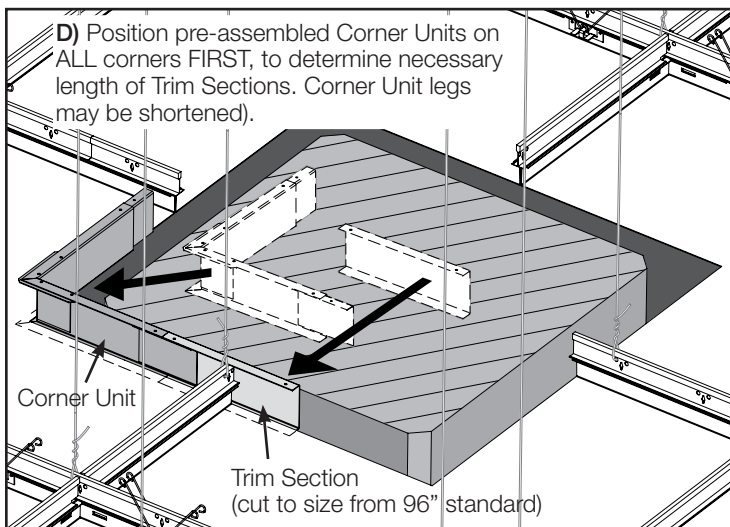
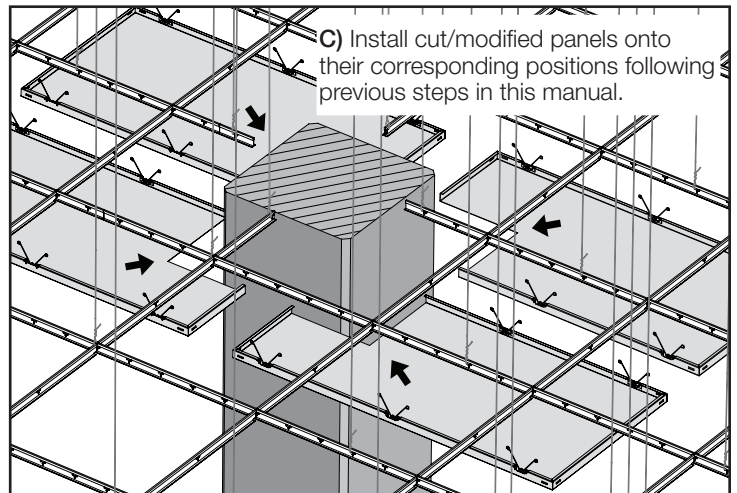
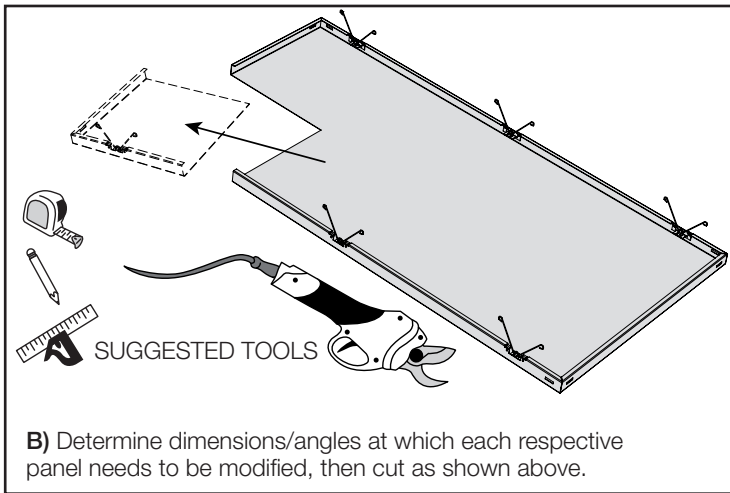
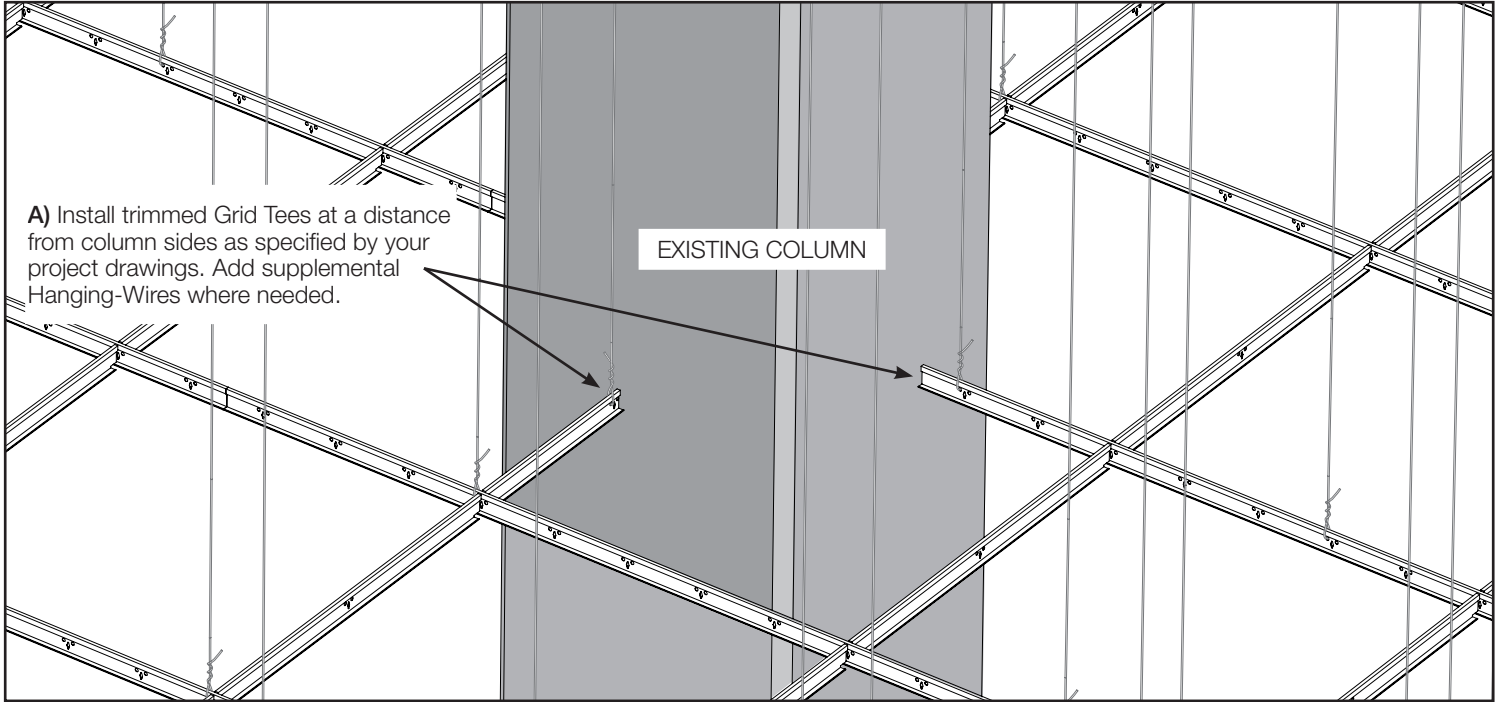
E) INSPECT INSTALLATION:

- Make sure all hanging-wire and supports are properly connected.
- Make sure grid is leveled.
- Check for any scratches and smudges and address accordingly.
- Sign off.



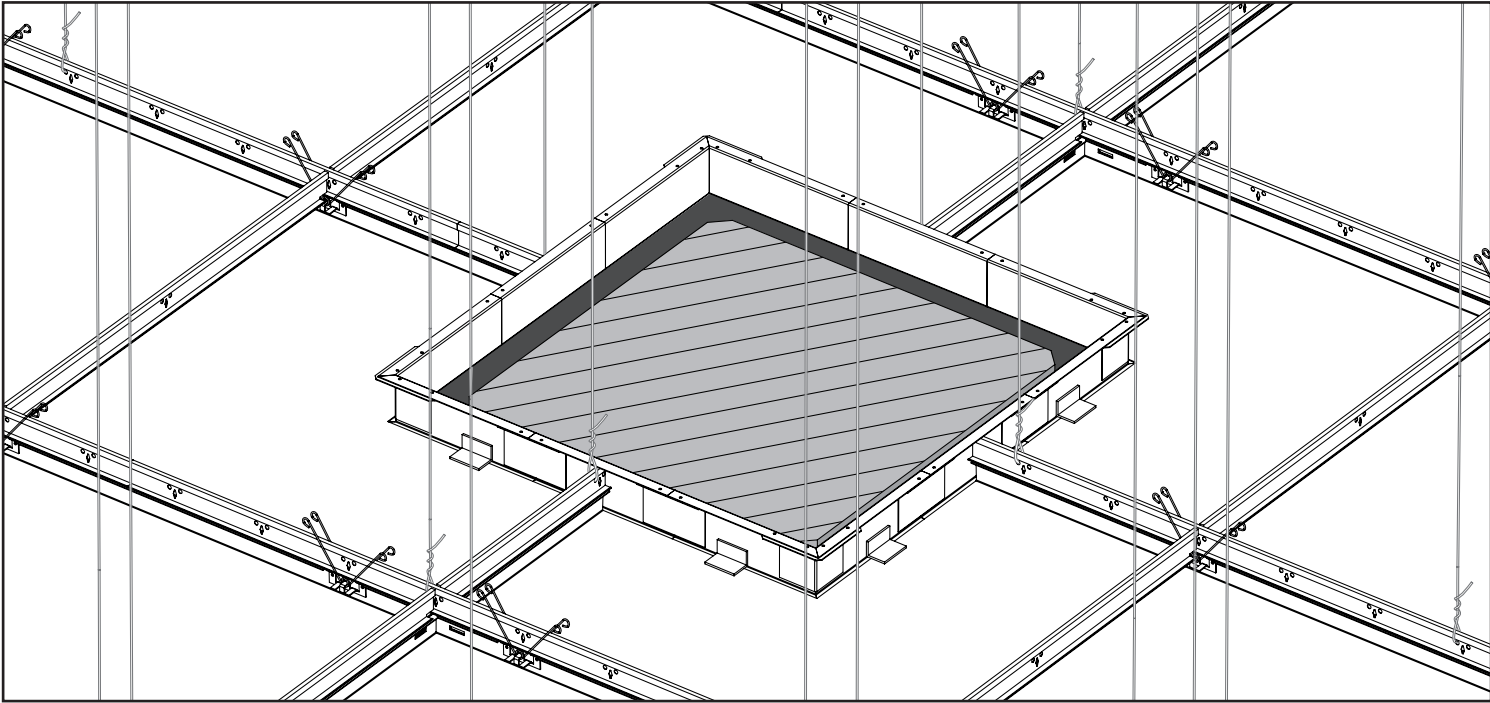
Perimeter Conditions

Column Integration

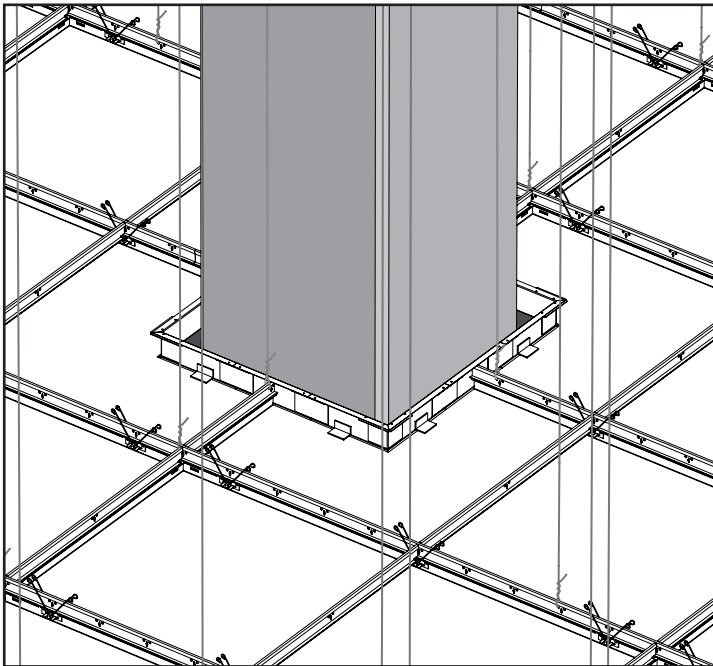


Perimeter Conditions

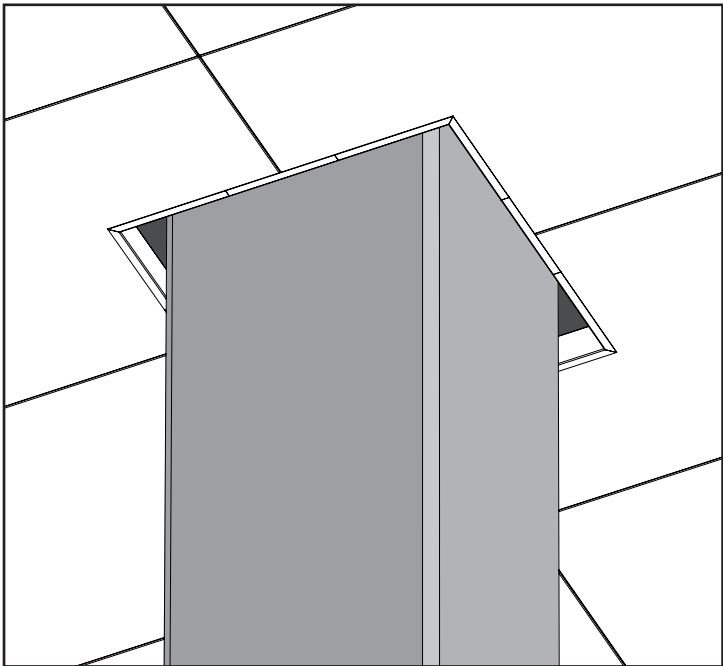
Column Integration Completed



COMPLETED TRIM INSTALLATION



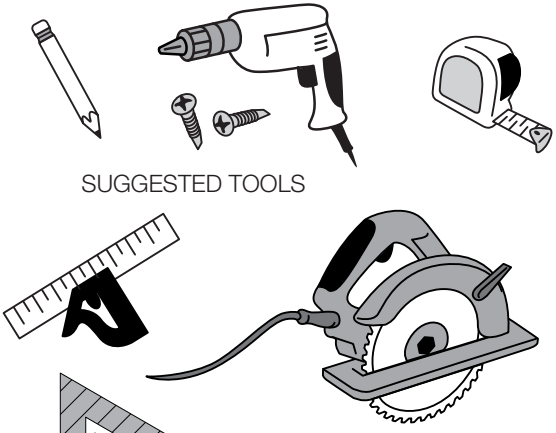
VIEW FROM PLENUM



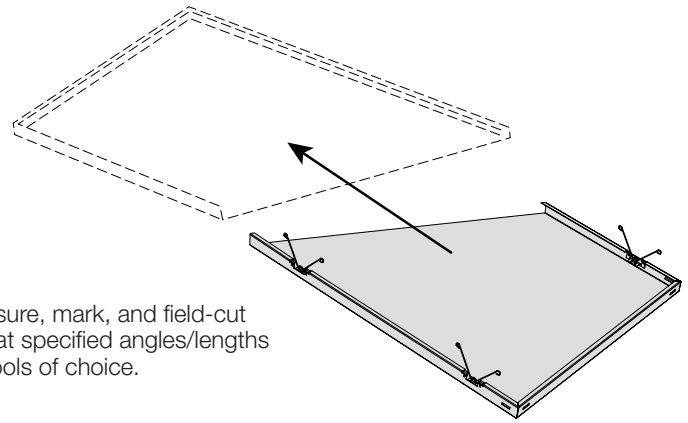
VIEW FROM FLOOR

Perimeter Conditions

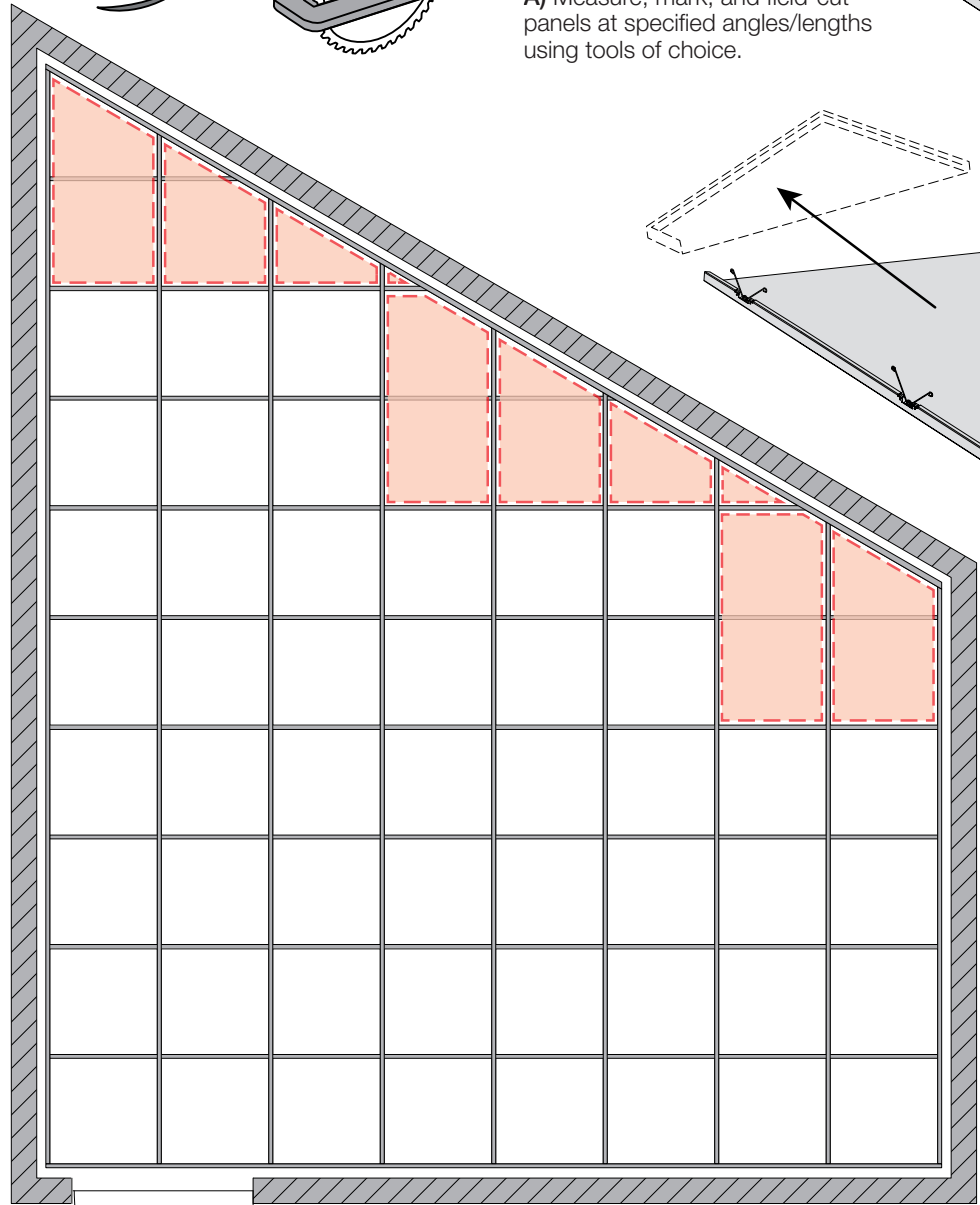
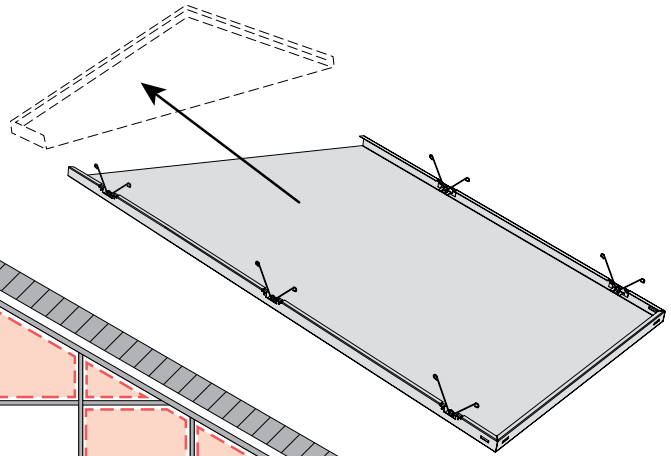
Angled Wall Condition



SUGGESTED TOOLS



A) Measure, mark, and field-cut panels at specified angles/lengths using tools of choice.

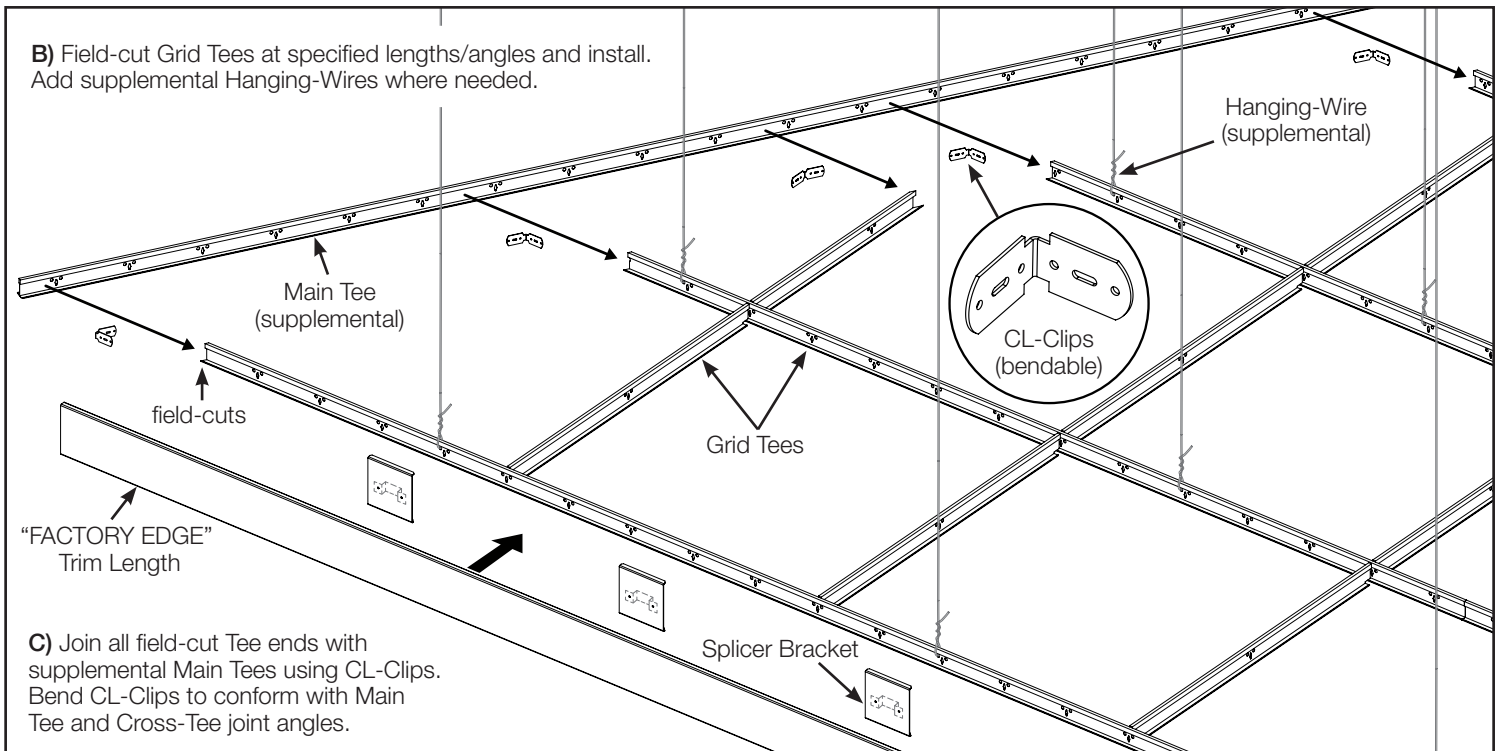


(30" X 60" panel examples)

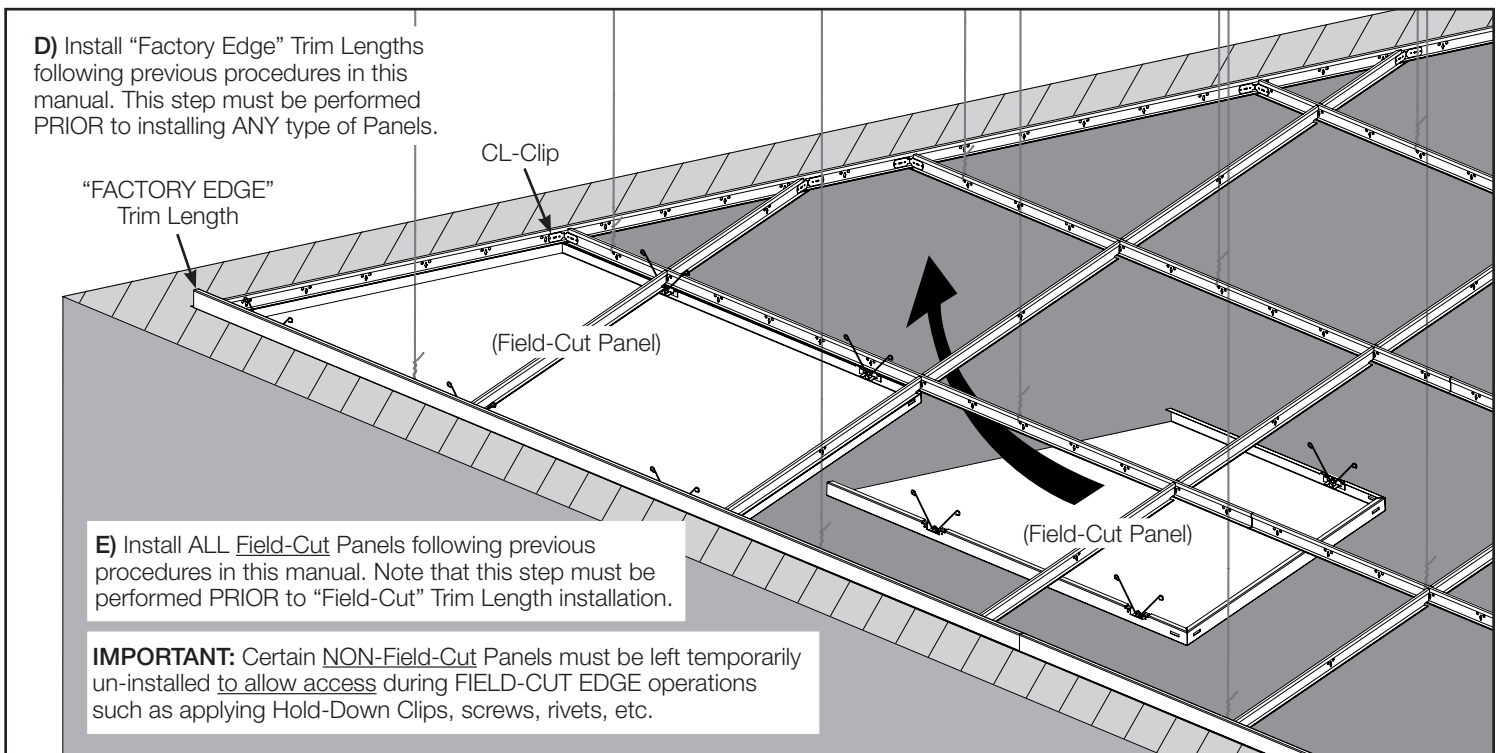
RED SHADING INDICATES FIELD-CUT PANELS

Perimeter Conditions

Angled Wall Condition Cont'd.



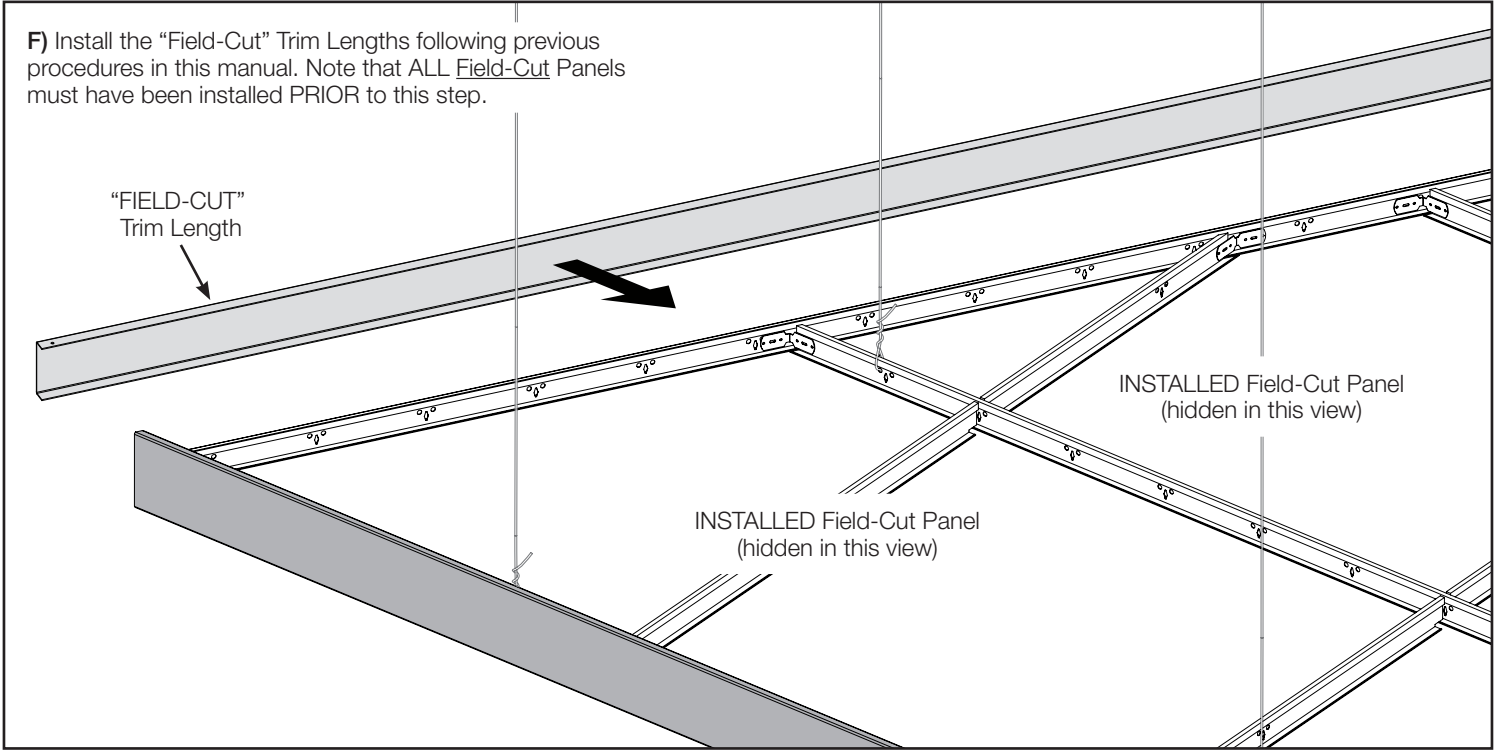
WALLS ARE HIDDEN IN THIS VIEW FOR CLARITY



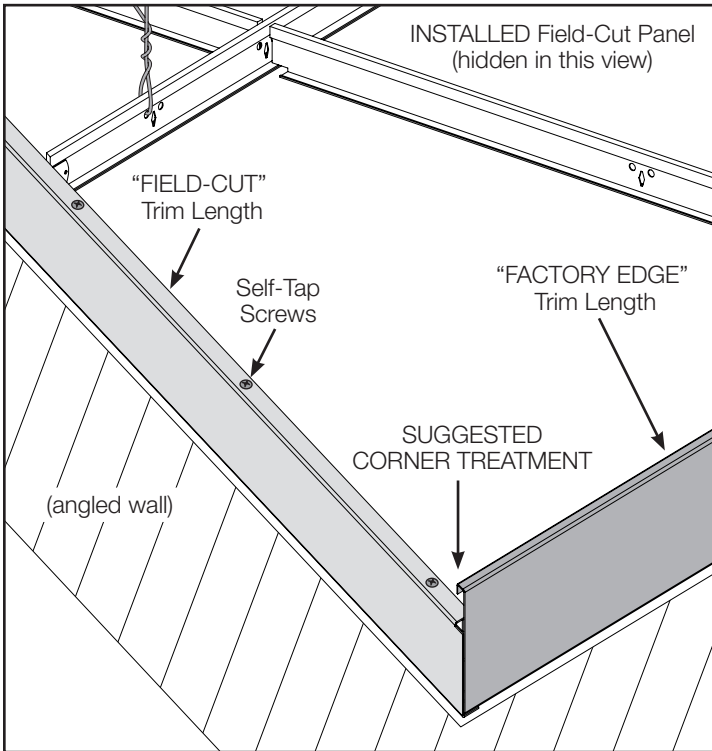
Perimeter Conditions

Angled Wall Condition Cont'd.

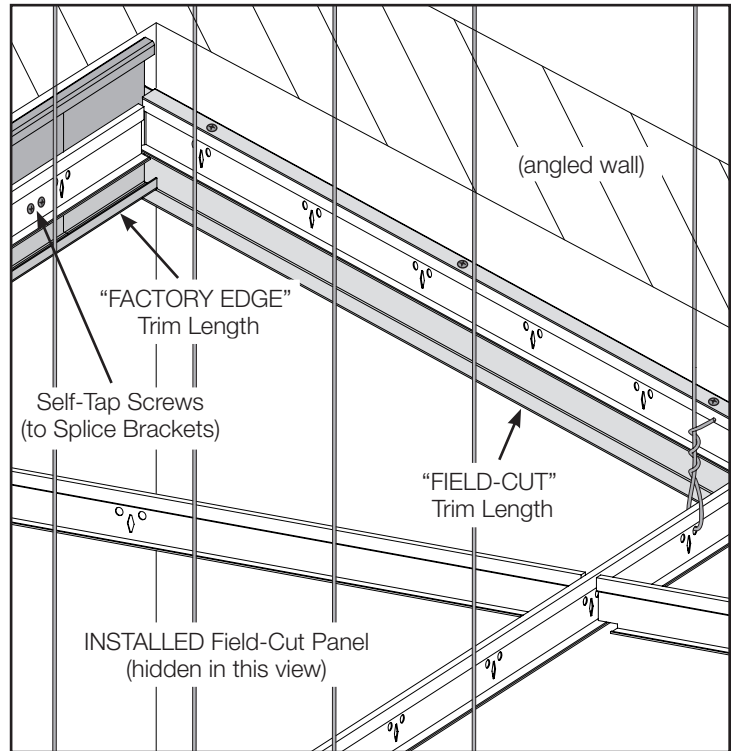
F) Install the "Field-Cut" Trim Lengths following previous procedures in this manual. Note that ALL Field-Cut Panels must have been installed PRIOR to this step.



WALLS HIDDEN IN THIS VIEW FOR CLARITY



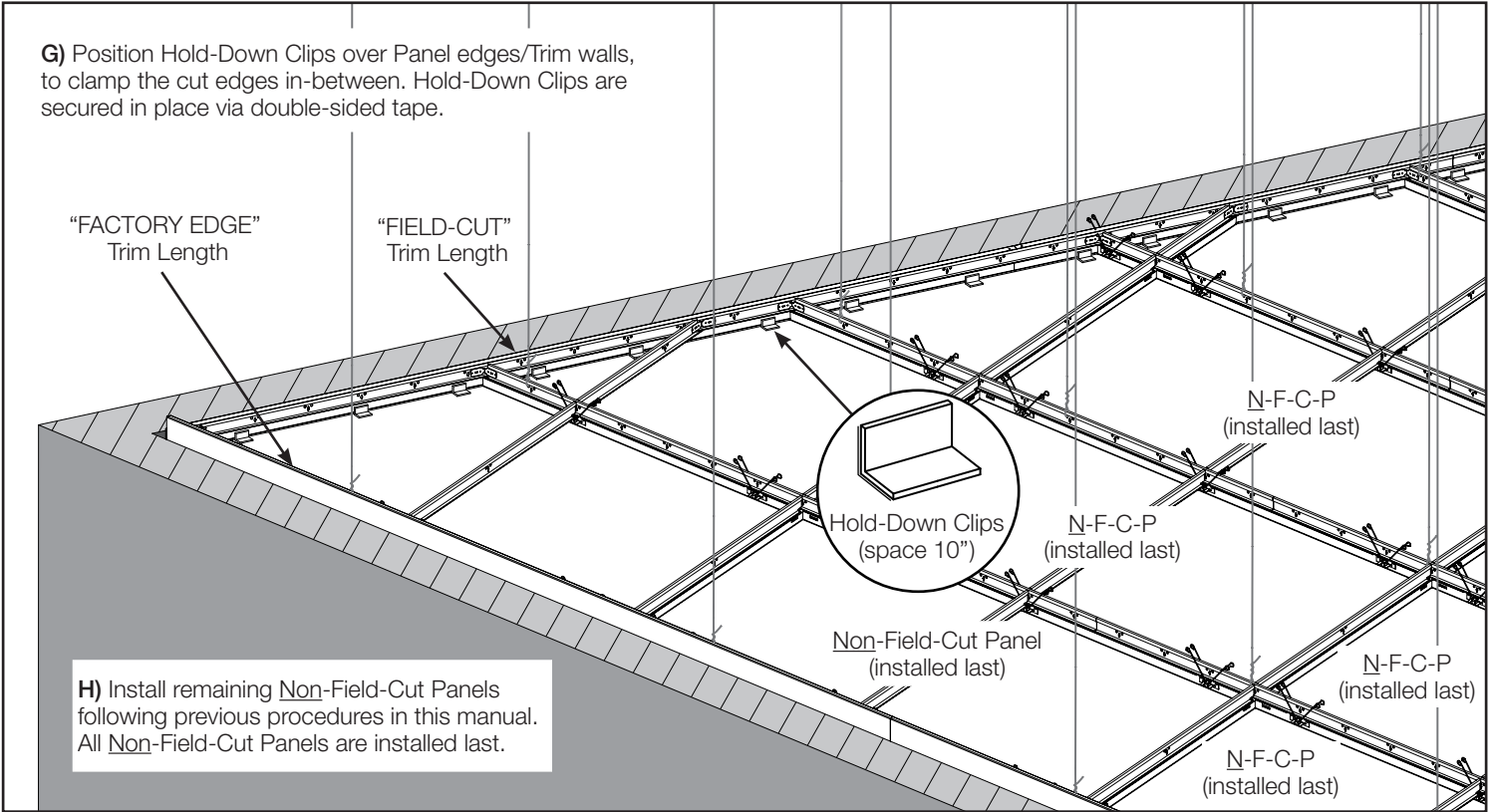
OUTSIDE CORNER VIEW FROM PLENUM



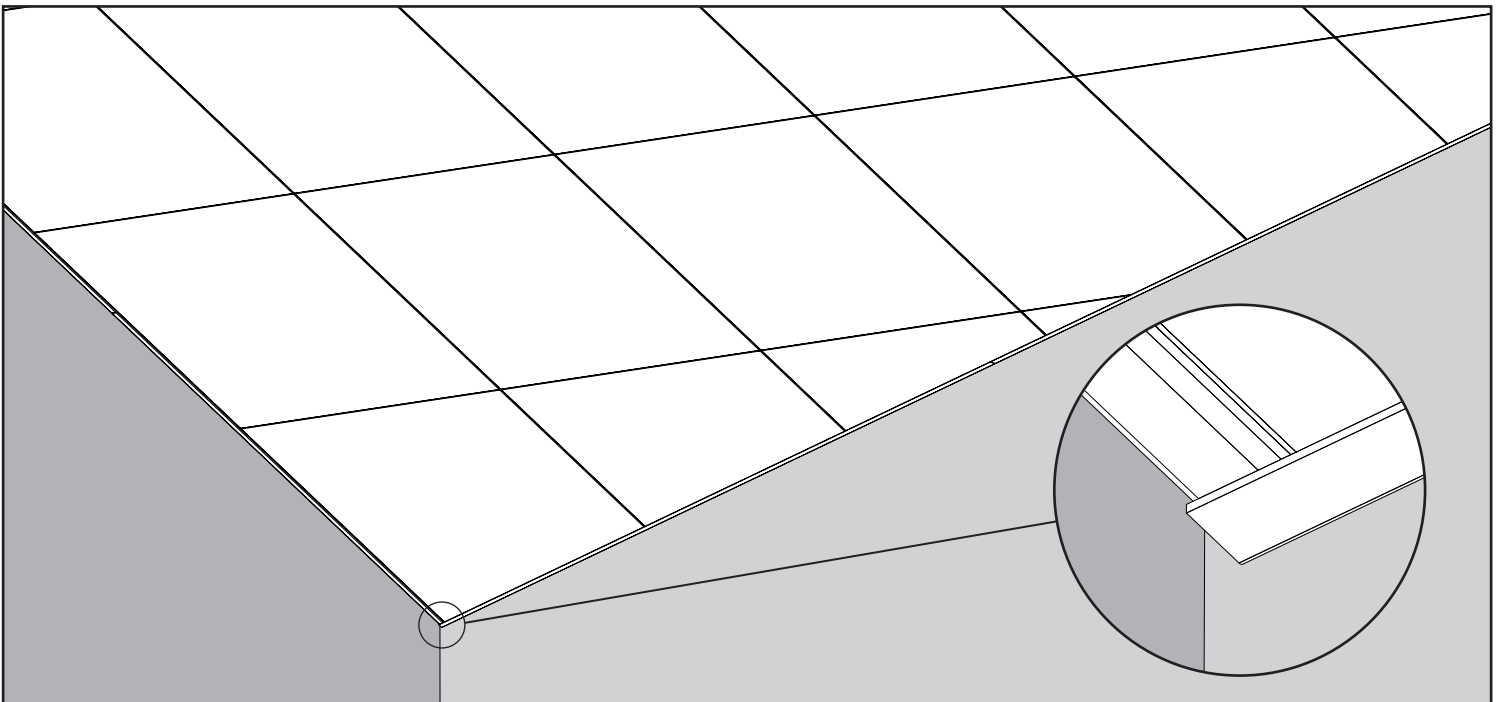
INSIDE CORNER VIEW FROM PLENUM

Perimeter Conditions

Angled Wall Condition Completed



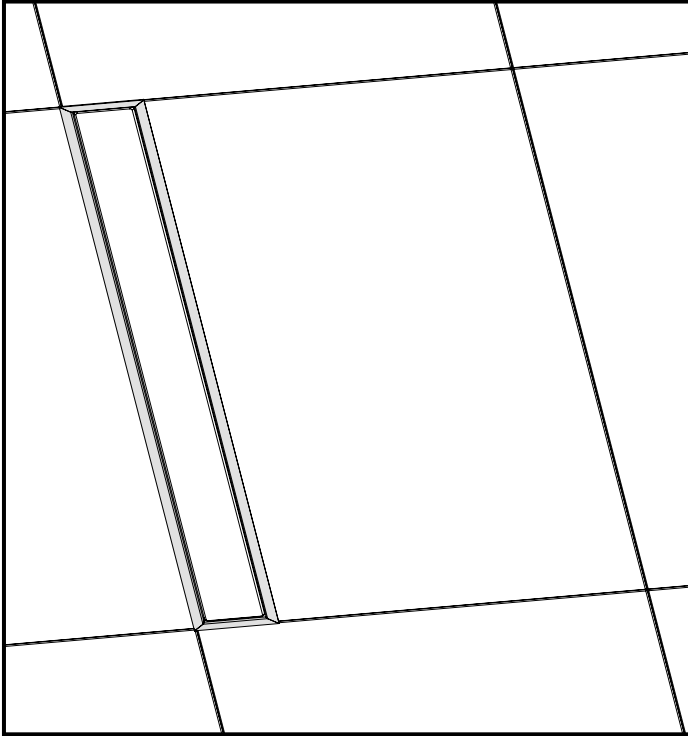
COMPLETED INSTALLATION (view from plenum)



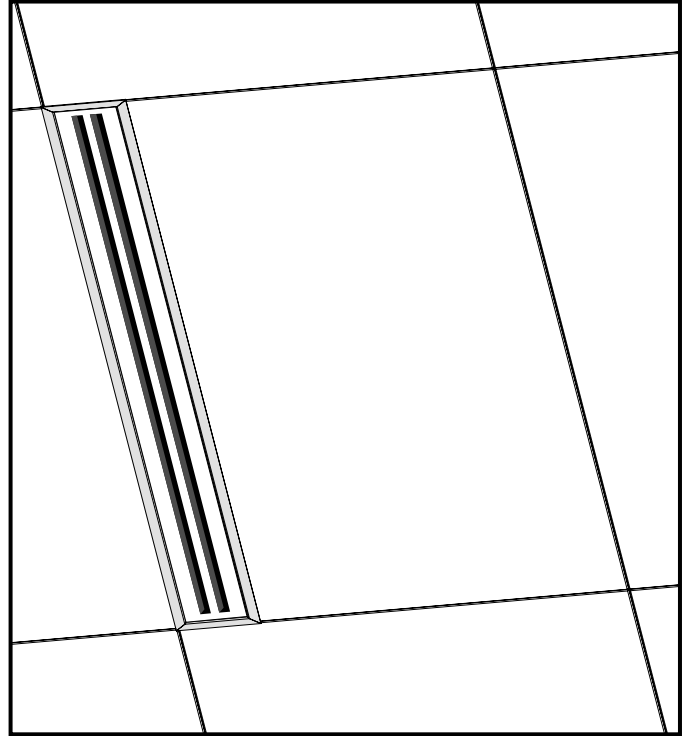
COMPLETED INSTALLATION (view from floor)

MEP Integration

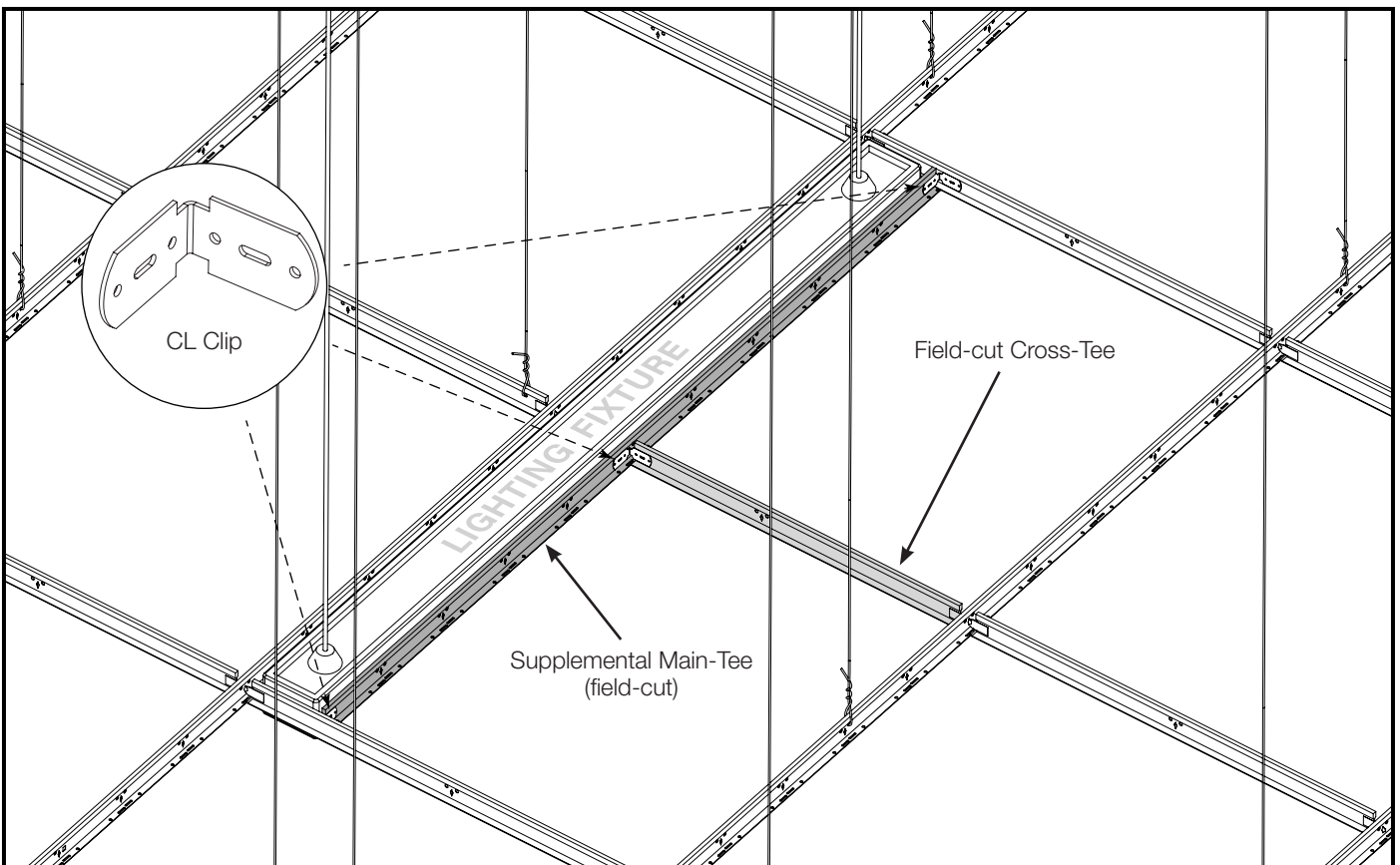
Lighting & HVAC Integration



LIGHTING



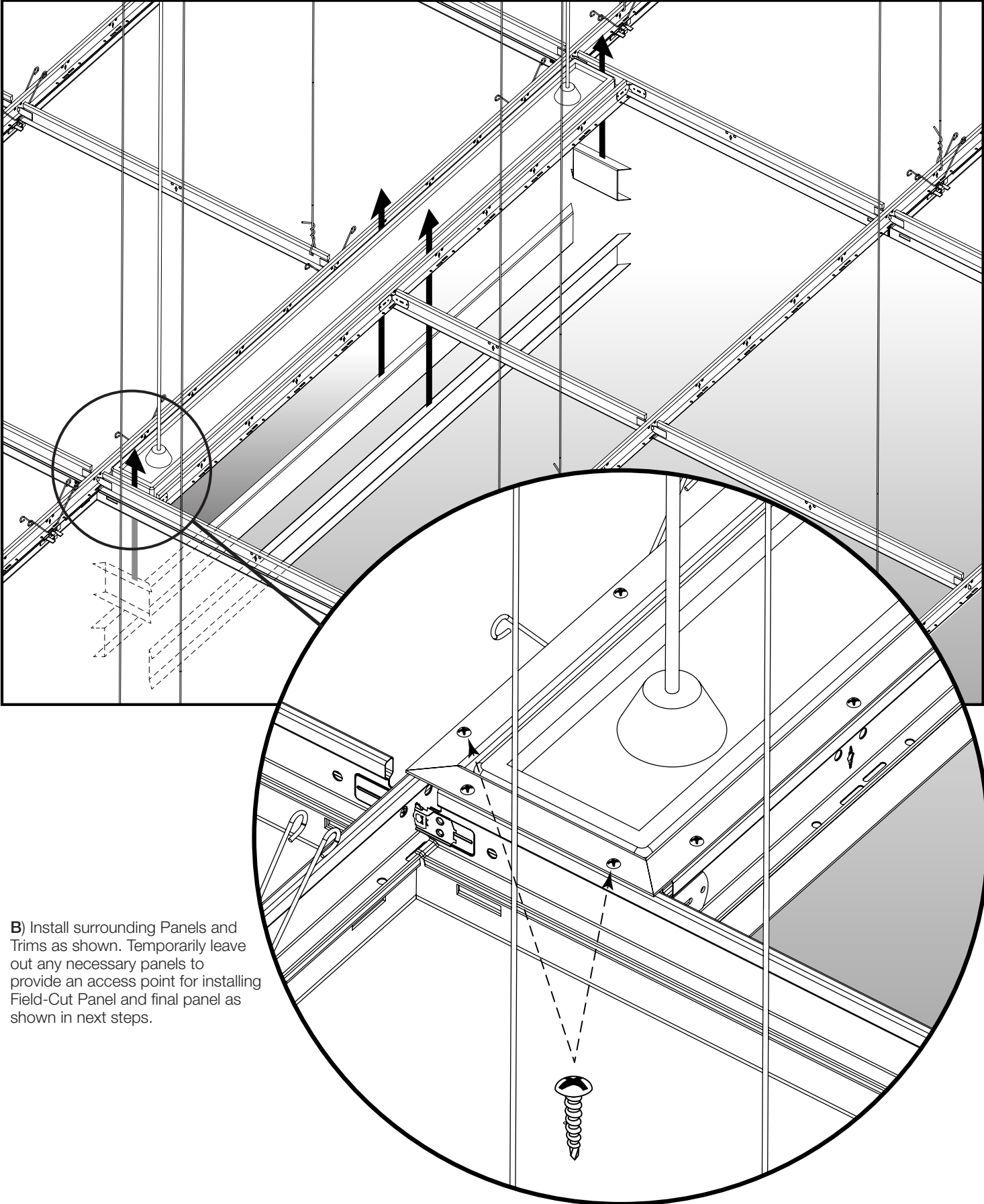
HVAC



A) Install Supplemental Main Tee and field-cut Cross-Tee. Replace/add any Hang-Wires.

MEP Integration

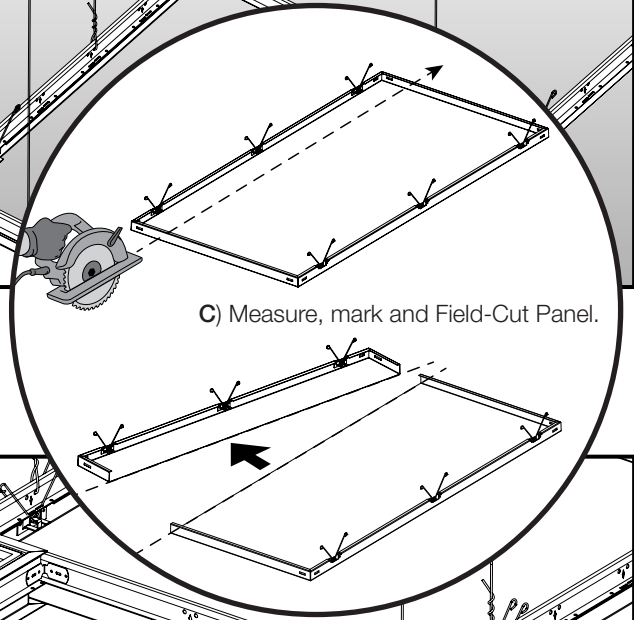
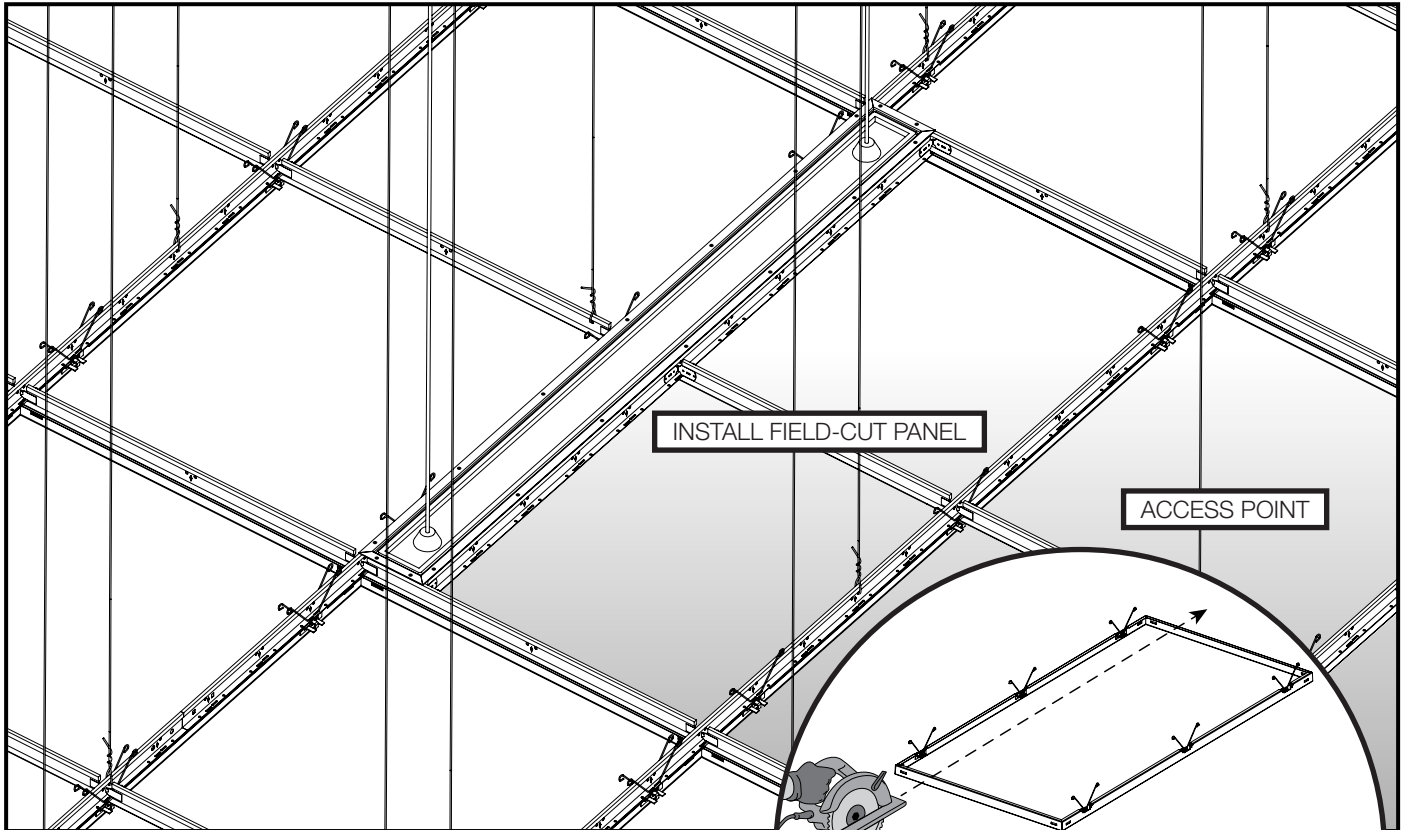
Lighting & HVAC Integration



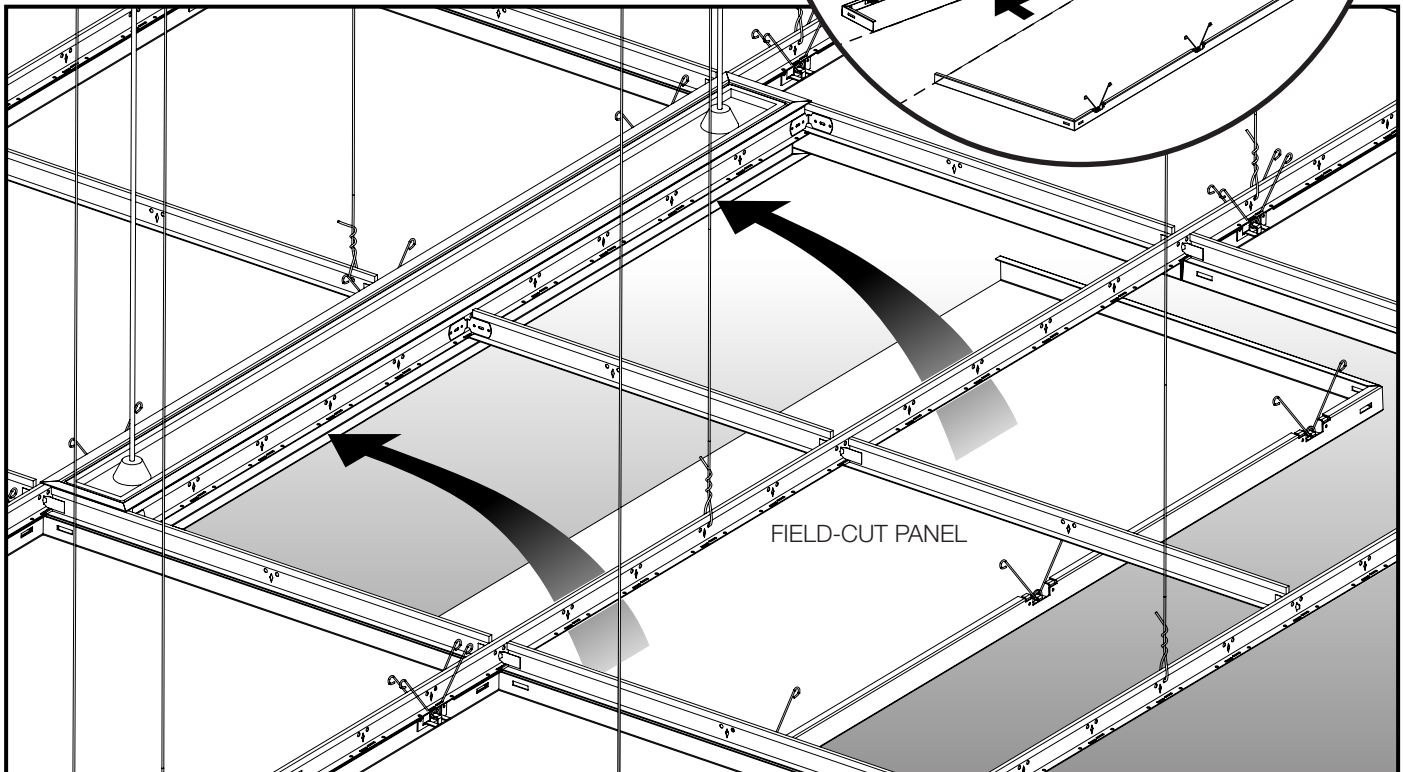
B) Install surrounding Panels and Trims as shown. Temporarily leave out any necessary panels to provide an access point for installing Field-Cut Panel and final panel as shown in next steps.

MEP Integration

Lighting & HVAC Integration



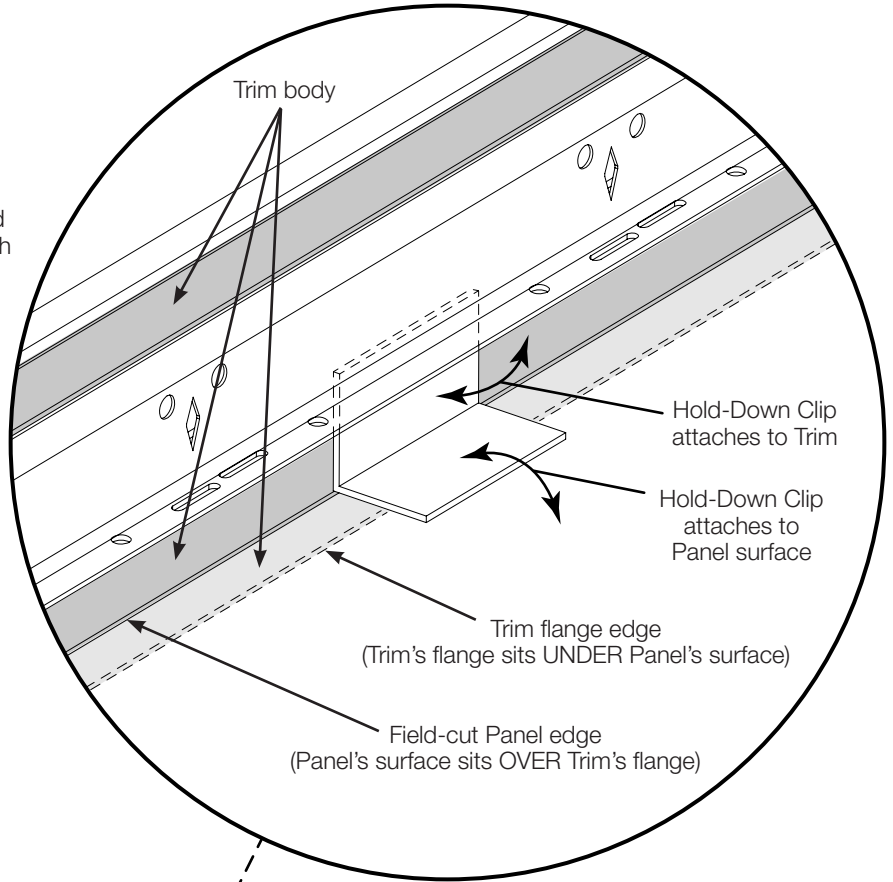
D) Install Field-Cut Panel as shown. Field-cut edge of Panel must rest on TOP of Trim's flange (see arrow points below).



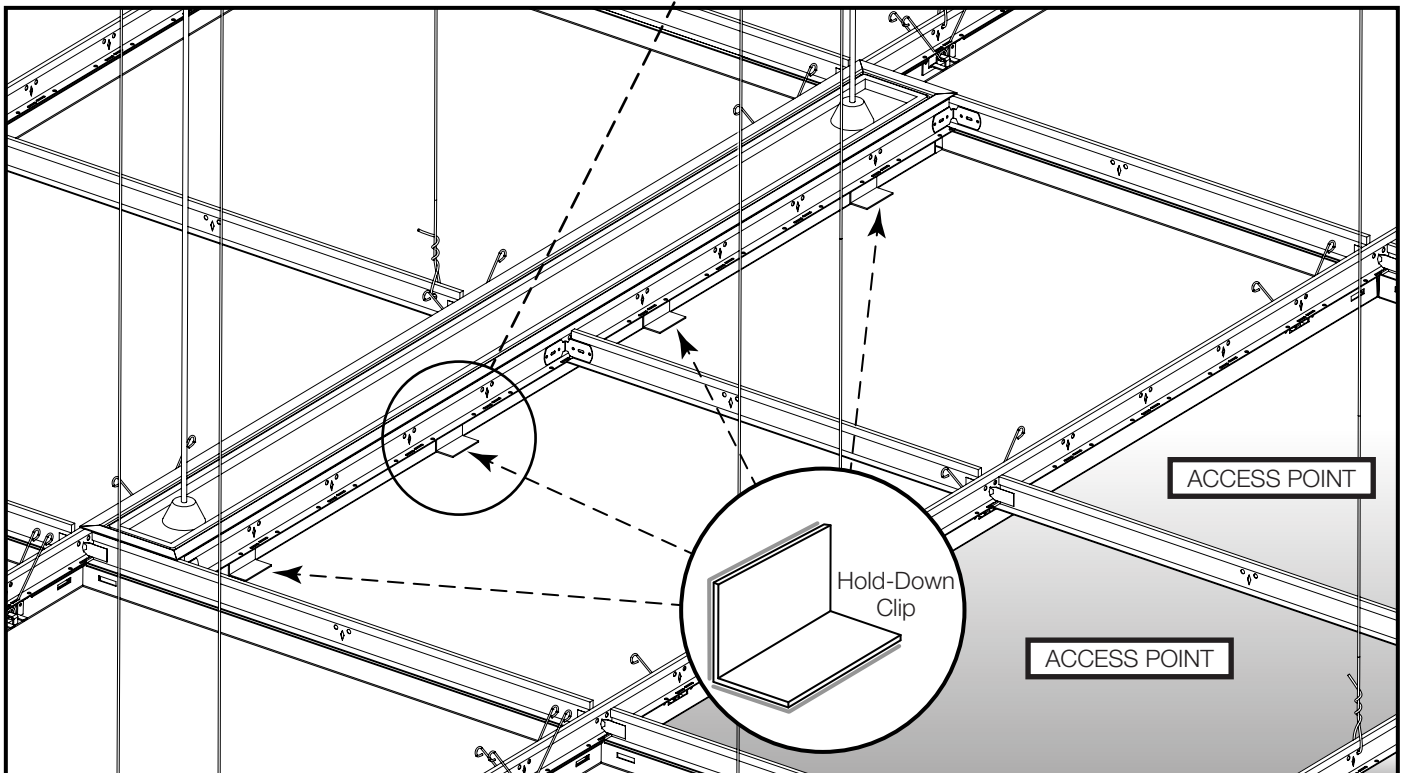
MEP Integration

Lighting & HVAC Integration Completed

E) Apply Hold-Down Clips using Double-Sided Tape via ACCESS POINT opening. Clips attach over Panel surface and to Trim's wall.

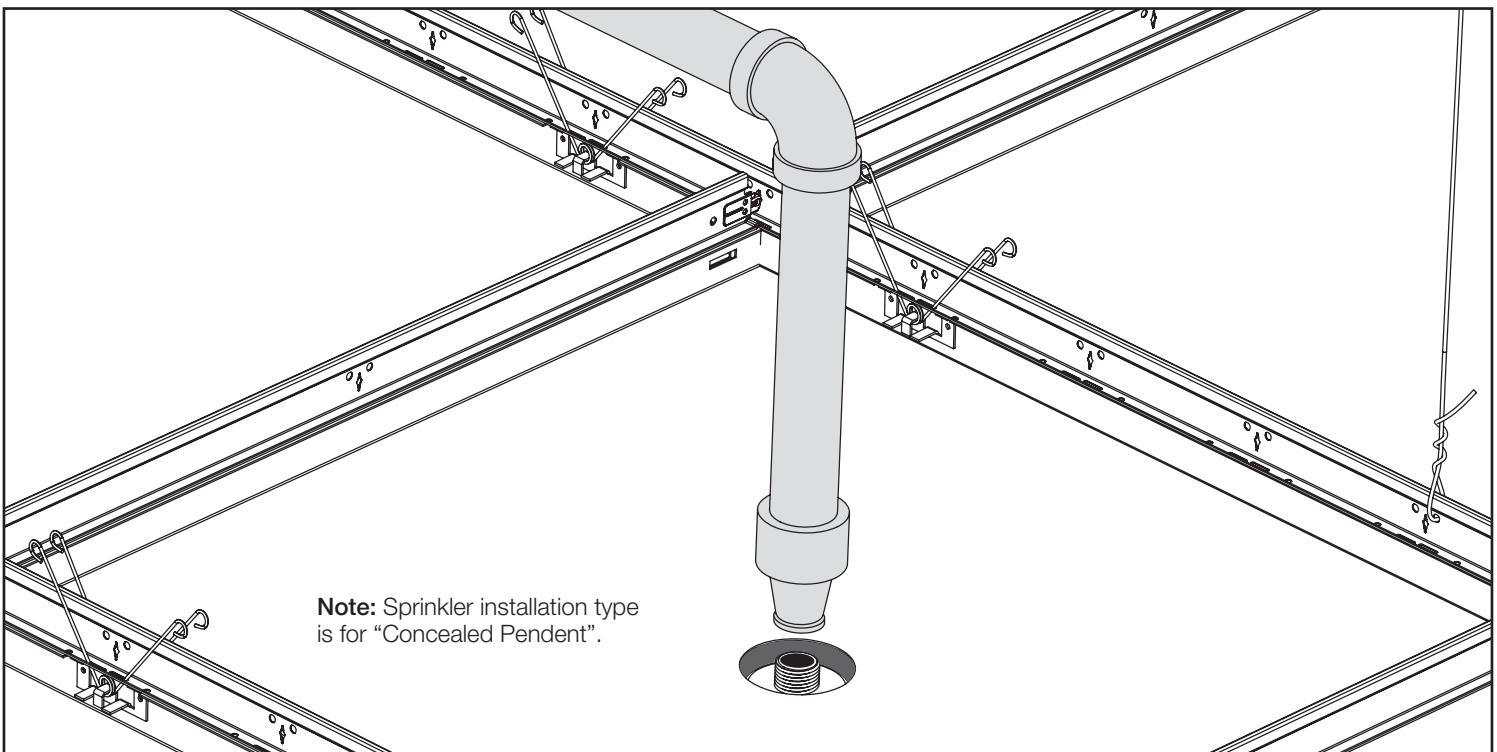
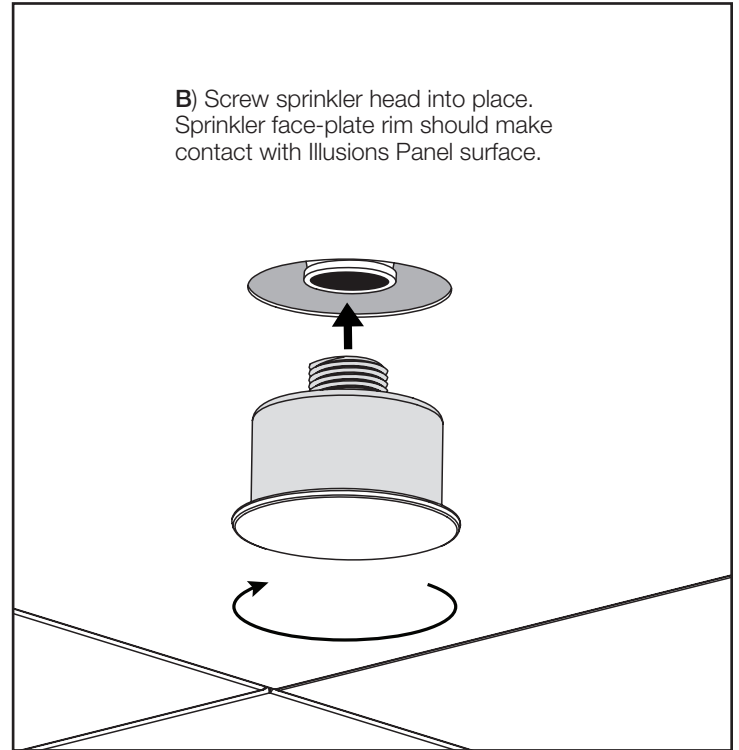
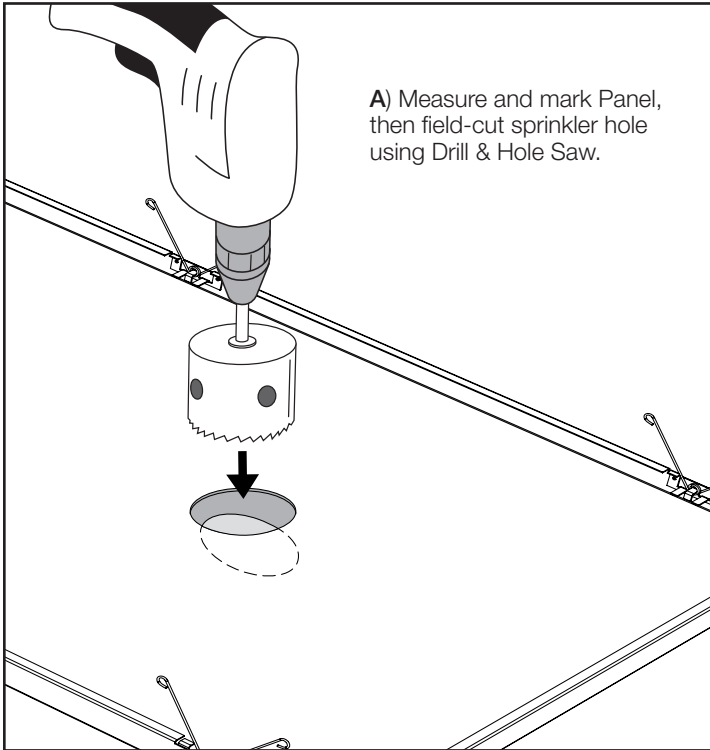


F) Close off ACCESS POINTS openings by installing FINAL Panel following previous steps in this manual.



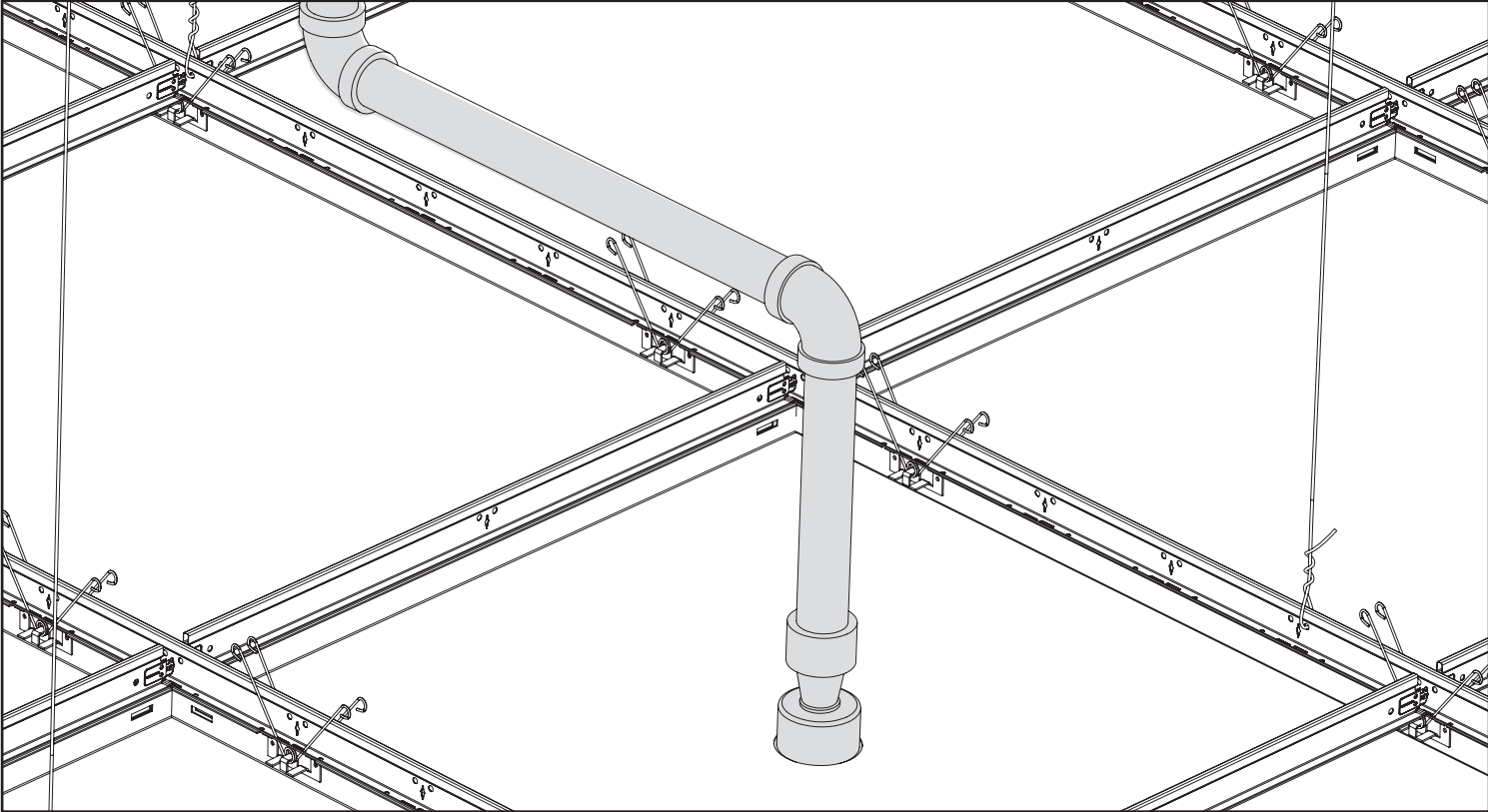
MEP Integration

Fire Sprinklers Integration

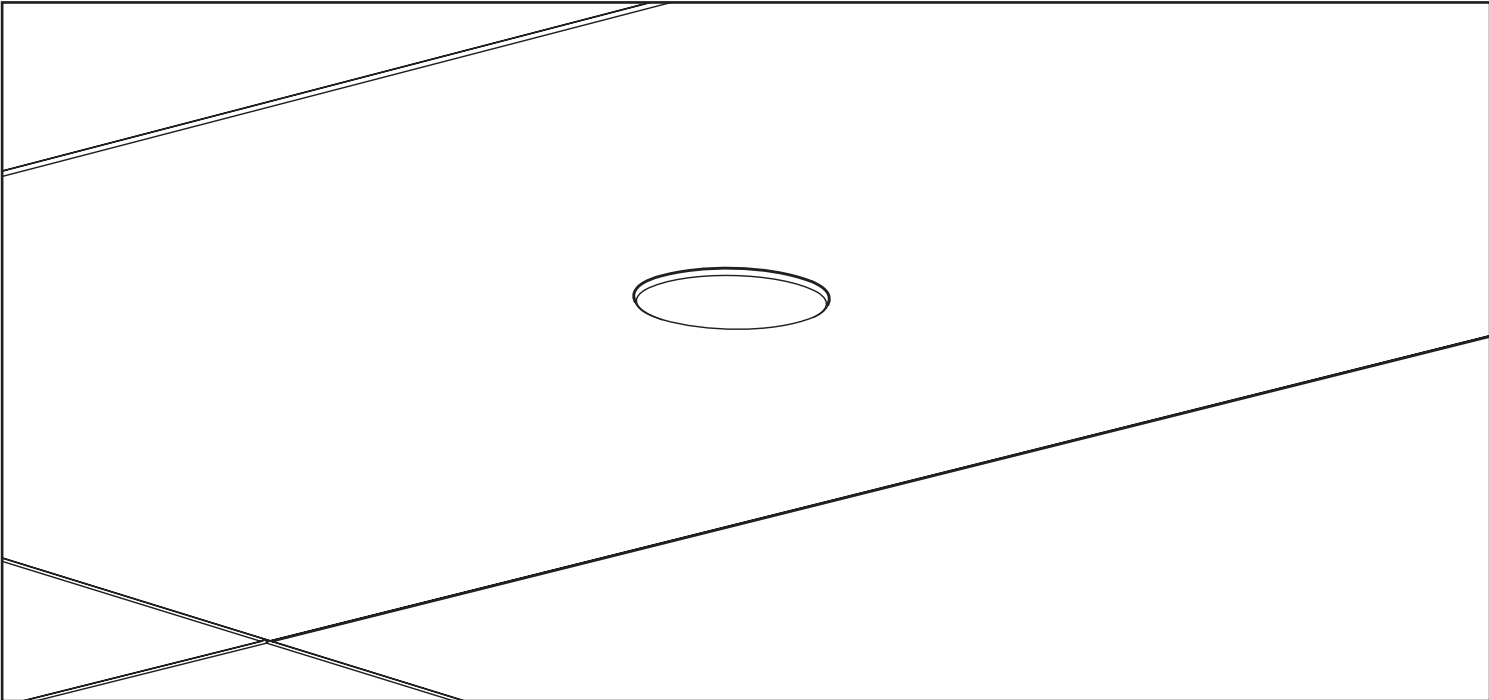


MEP Integration

Sprinkler Integration Completed



COMPLETED INSTALLATION (view from plenum)



COMPLETED INSTALLATION (view from floor)

Maintenance

Adjust & Clean

- A.** Adjust ceiling components to provide a consistent finish and appearance in conformity with established tolerances and requirements.

- B.** Clean exposed surfaces of acoustical metal panel ceilings and walls. Comply with manufacturer's written instructions for cleaning and touch-up of minor finish damage.

- C.** Remove and replace work that cannot be successfully cleaned and repaired to permanently eliminate evidence of damage, including dented and bent units.

Support Contacts

Contact your sales rep for any additional support.

Notices

SAFETY

Safety First! Follow good safety/industrial hygiene practices during installation. Wear appropriate personal protective equipment. Read MSDS and literature before specification and installation. Be cautious with exposed sharp edges when handling ceiling system components.

INSTALLATION

Prior to installation, make sure your project complies with any seismic & non-seismic requirements. Must be installed in compliance with ASTM C636, ASTM E580, utilizing standard industry practices and adopting applicable code requirements. Alternative assemblies and installation methods may be utilized when approved by the authority having jurisdiction. USG Ceiling Plus recommends checking with the authority having jurisdiction prior to designing and installing a suspended ceiling system.

LIMITATION

Some commercially acceptable color variation may occur between lots and between different size products of the same color.

LIABILITY

We shall not be liable for any incidental and consequential damages, directly or indirectly sustained, nor for any loss caused by application of these goods not in accordance with current printed instructions or for other than the intended use. Our liability is expressly limited to replacement of defective goods. Any claim shall be deemed waived unless made in writing to us within thirty (30) days from date it was or reasonably should have been discovered.

