

# USG DONN® BRAND TRANSITION MOLDINGS

## DRYWALL TO ACOUSTICAL CEILING TRANSITION MOLDINGS

USG Donn® Brand Transition Moldings are used between drywall and acoustical ceilings that are adjacent to each other and on the same plane. USG Donn® Brand SL Transition Moldings combine a drywall taping flange with a shadowline acoustic wall molding in one roll-formed trim piece. The moldings eliminate the need to construct drywall fascia terminations that provide an attachment location for the acoustical ceiling wall molding. USG Donn® Brand Transition Moldings are compatible with all USG Donn® Brand Acoustical Suspension Systems and USG Drywall Suspension Systems.

### INSTALLATION STEPS

1. Construct the suspended drywall ceiling grid.
2. At locations where the transition molding will be installed, screw attach DGWM24 wall molding to the main or cross tees. This provides a vertical mounting flange for screw attaching the transition molding. The DGWM24 can be installed parallel or perpendicular to the drywall suspension tees as long as 48" o.c. hanger wire spacing is maintained (see figs. 1, 2 and 3.)
3. Install USG/CGC Sheetrock® Brand Gypsum Panels.
4. Install the transition molding by screw attaching at approx 24" o.c. to the vertical leg on the DGWM24. Screws may be used on the bottom side through the joint treatment flange as needed for stabilization.
5. Install the acoustical ceiling system.

### RECOMMENDED JOINT TREATMENT APPLICATION

1. Embed USG/CGC Sheetrock® Brand Fiberglass Drywall Tape on the transition molding flange with USG/CGC Sheetrock® Brand Durabond® Setting-Type Joint Compound.
2. Apply a second coat of USG/CGC Sheetrock® Brand Ready-Mixed or Setting-Type Joint Compound (Easy Sand™ and Durabond®).
3. Apply a third coat of joint compound if needed.

#### USG Donn® Brand SL Transition Molding Profiles

Figure 1: USG Donn® Brand SL DX\*

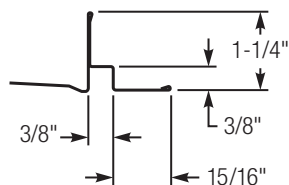
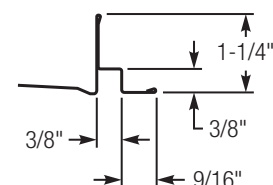


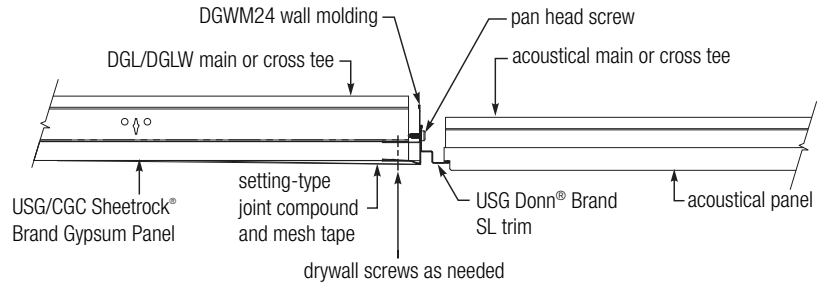
Figure 2: USG Donn® Brand SL DXT™



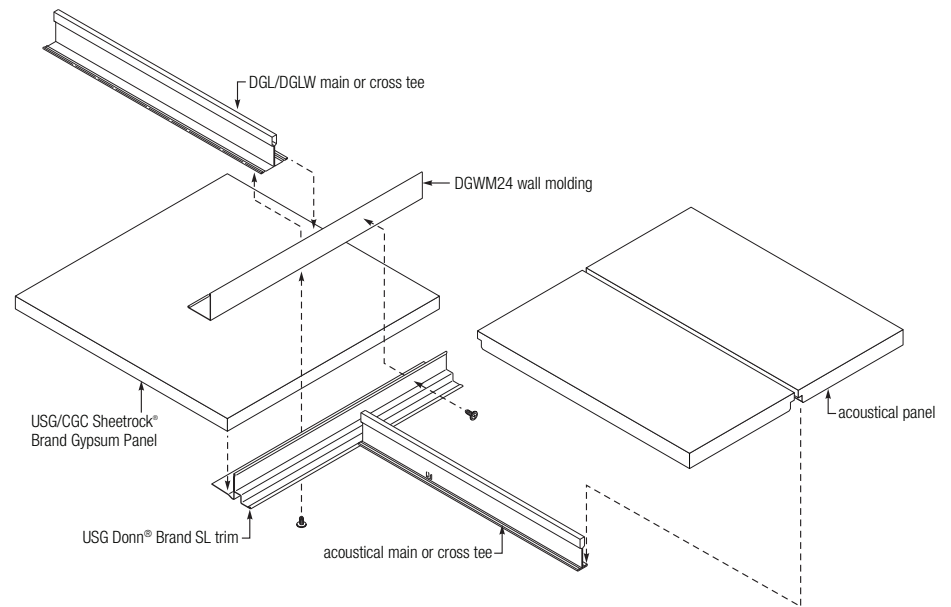
**RECOMMENDED JOINT  
TREATMENT APPLICATION  
(CONT.)**

**INSTALLATION DETAILS**

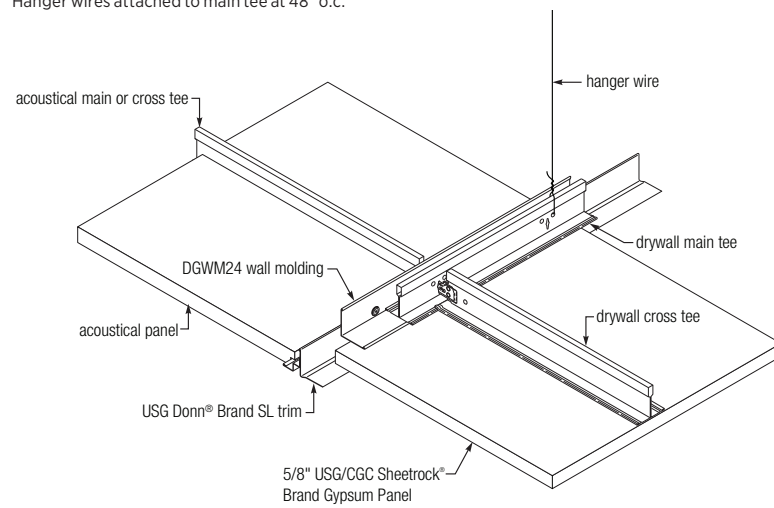
Figure 3: Typical installation at drywall to acoustical ceiling transition with USG Donn® Brand SL Transition Molding screw attached at 24" o.c. to vertical leg of DGWM24.



Installation showing DGWM24 wall mold screw attached perpendicular to drywall suspension tees at transition location.

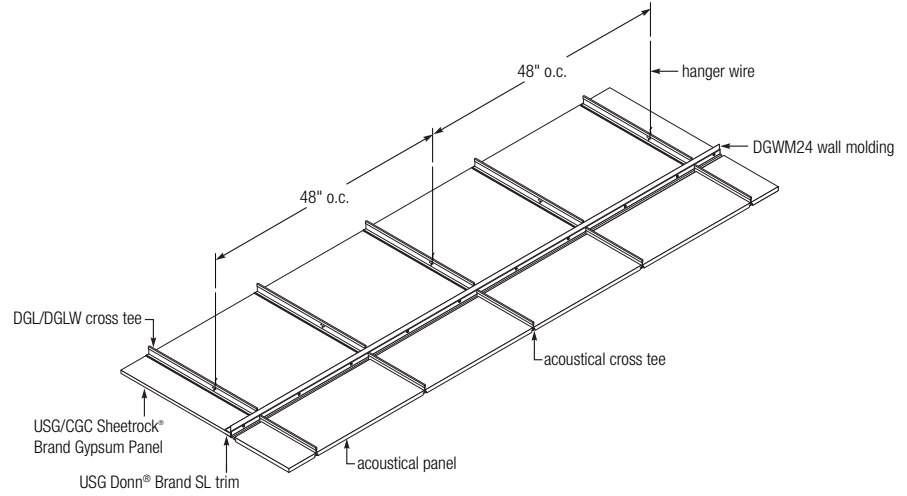


Installation showing DGWM24 wall mold screw attached parallel to drywall suspension main tee at transition location. Hanger wires attached to main tee at 48" o.c.

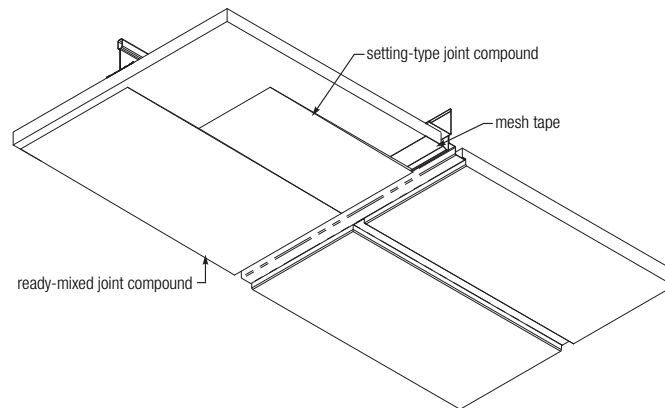


## INSTALLATION DETAILS (CONT.)

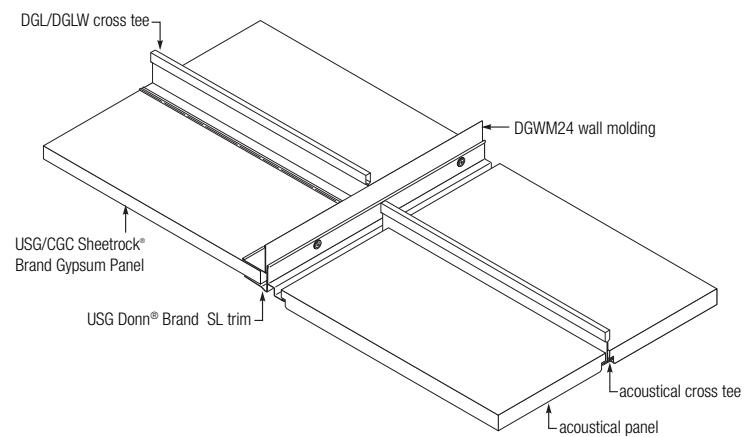
When DGWM24 wall mold screw is attached perpendicular to drywall suspension tees, hanger wire spacing must be maintained at 48" o.c. adjacent to DGWM24.



Isometric view from below showing recommended joint treatment application method.

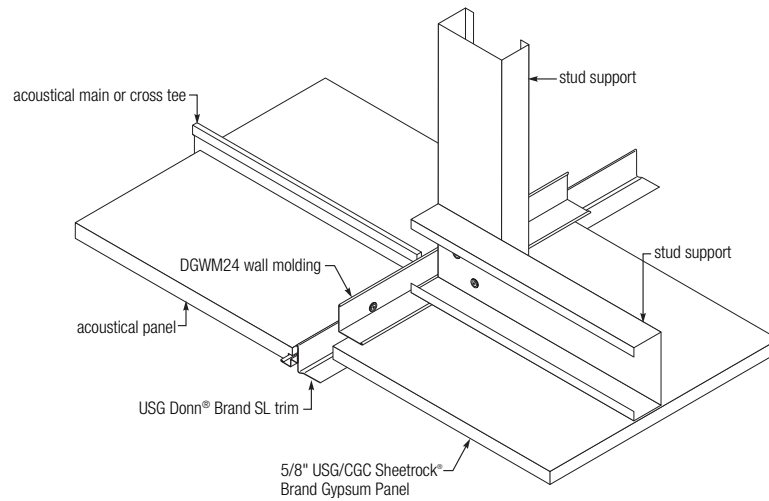


Isometric view from above showing typical installation.



## INSTALLATION DETAILS (CONT.)

USG Donn® Brand SL transition moldings can also be used at locations where steel stud framing has been installed.



### WEBSITES

usg.com  
cgcinc.com  
usgdesignstudio.com  
cgcdesignstudio.com

### PRODUCT INFORMATION

See usg.com or cgcinc.com for the most up-to-date product information.

### PRODUCT LITERATURE

Data Sheet: AC3315  
Sample: 259401

### MATERIAL

Hot-dipped galvanized steel  
Recycled Content  
See the LEED report tool on usgdesignstudio.com  
Limitations:  
Interior applications only

### TRADEMARKS

The trademarks USG, CGC, DONN, DURABOND, DX, DXT, EASY SAND, SHEETROCK, IT'S YOUR WORLD. BUILD IT., the USG/CGC logo, the design elements and colours, and related marks are trademarks of USG Corporation or its affiliates.

### NOTICE

We shall not be liable for incidental and consequential damages, directly or indirectly sustained, nor for any loss caused by application of these goods not in accordance with current printed instructions or for other than the intended use. Our liability is expressly limited to replacement of defective goods. Any claim shall be deemed waived unless made in writing to us within thirty (30) days from date it was or reasonably should have been discovered.

### SAFETY FIRST!

Follow good safety/industrial hygiene practices during installation. Wear appropriate personal protective equipment. Read MSDS and literature before specification and installation

### CUSTOMER SERVICE

USG: 800.950.3839  
800.USG.4YOU (874-4968)  
CGC: 800.387.2690

Manufactured by  
United States Gypsum Company  
550 West Adams Street  
Chicago, IL 60661

AC3318-CAN-ENG/rev. 4-17  
© 2017 USG Corporation and/or  
its affiliates. All rights reserved.  
Printed in Canada

**USG**  **CGC**  
IT'S YOUR WORLD. BUILD IT.™