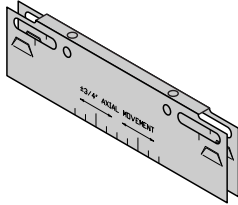


Donn® Suspension Systems



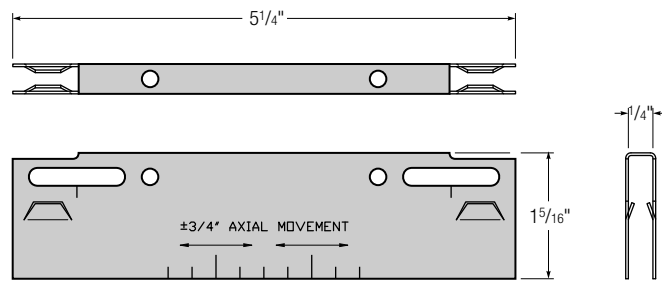
2-Way Seismic Separation Joint Clip

Description



The DONN® Brand DH2 seismic separation joint clip is designed to provide the most robust hold in the most stringent seismic design categories.

2-Way Seismic Separation Joint Clip



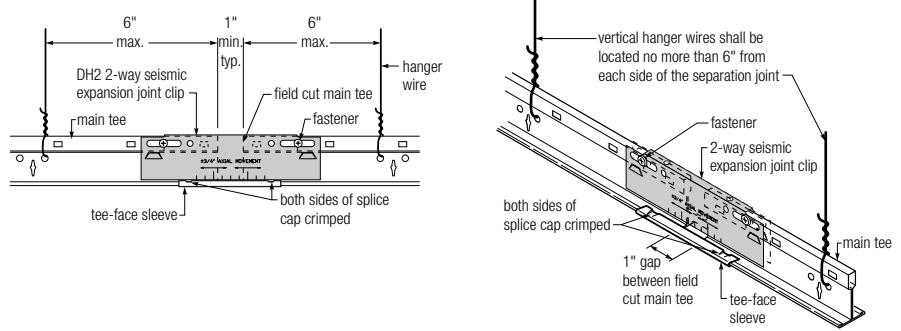
Features and Benefits

- Meets or exceed all national code requirements.
- Fulfills requirements for IBC Seismic Design Categories D, E, and F.
- Clip placement is over the bulb of the tee and does not interfere with light fixtures.
- Can be used with DH4 4-Way Seismic Separation Joint Clip
- Concealing tee-face sleeves offered for use with DX/DXL 15/16” systems, CENTRICITEE™ DXT 9/16” systems, FINELINE® DXF Systems with 1/4” Reveal, FINELINE® DXFF Systems with 1/8” Reveal, and DXI IDENTITEE™ Systems.
- Allows for a full size acoustical panel at the separation joint.
- Provides multiple support of the tees through the integral bulb support tabs and fastener attachment.
- Elongated legs help to minimize interference with the panels and prevent installed panels from being locked in place.
- Fastener holes, indicators and expansion slots enable fail-safe installation.
- No special fasteners are required.
- Maintains squareness and strength of suspension system compared to traditional separation joints.
- Offers an aesthetically attractive option to traditional separation joints. Maintains clean uninterrupted look.
- One-piece, solid construction.
- Non-directional.

Applications

- All interior general use areas
- With DONN suspension systems, DX®/DXL™, FINELINE® (DXF), FINELINE® 1/8 (DXFF), CENTRICITEE™ (DXT), DXLA™, DXI IDENTITEE™ and ZXLA™ (Environmental).

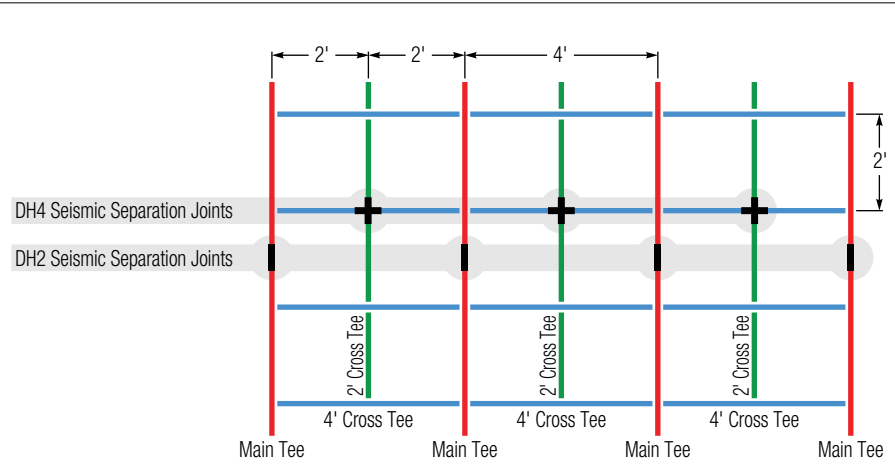
Construction



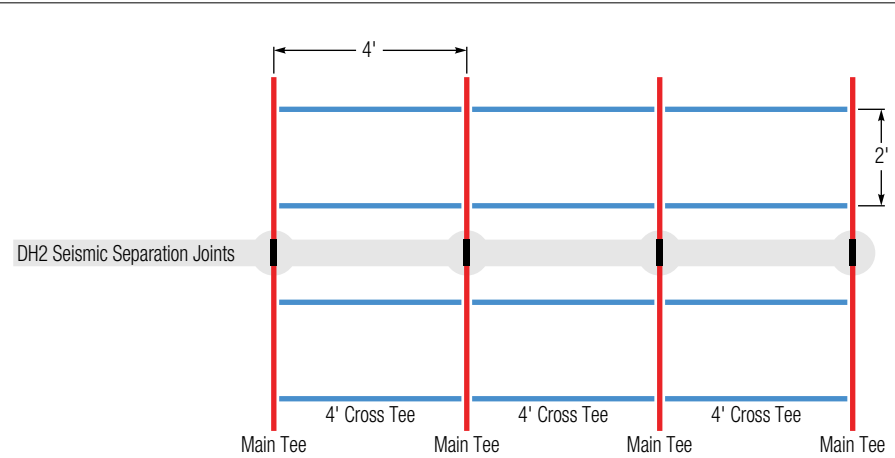
Note: A vertical hanger wire shall be located no more than 6" from each side of the separation joint.

Sample Layouts

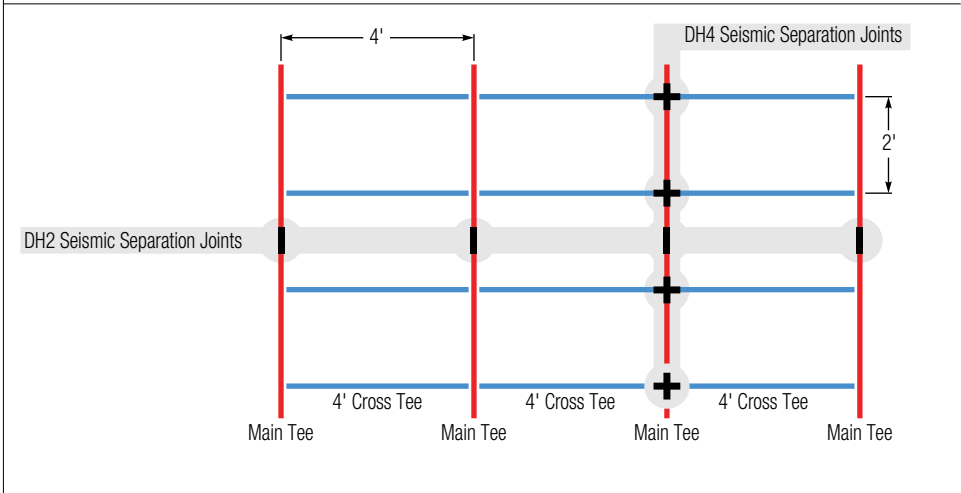
Main Tee/Cross Tee 2' x 2' System



Main Tee 2' x 4' System



Adjacent Separation Joint



Submittal Approvals

Submittal Approvals	Job Name	
	Contractor	Date

Physical Data/ Footnotes

Material	Hot-dipped galvanized steel.	Limitations	The performance of the 2-Way Seismic Separation Joint Clip and systems is based on the specific combination of superior components, and design and installation methods shown. Components from other manufacturers were not evaluated, and their use or any mixed use is not recommended.	ICC Evaluation Service, Inc., Report Compliance	Suspension systems manufactured by USG Interiors, LLC, have been reviewed and are approved by listing in ICC-ES Evaluation Report 1222. Evaluation Reports are subject to reexamination, revision and possible cancellation. Please refer to usgdesignstudio.com or usg.com for current reports.	Notice	We shall not be liable for incidental and consequential damages, directly or indirectly sustained, nor for any loss caused by application of these goods not in accordance with current printed instructions or for other than the intended use. Our liability is expressly limited to replacement of defective goods. Any claim shall be deemed waived unless made in writing to us within thirty (30) days from date it was or reasonably should have been discovered.	Construction Details	Please see SC2496 for seismic separation joint construction details.
Recycled Content	25%. For details, see the Sustainability selector.	Code Compliance	The information presented is correct to the best of our knowledge at the date of issuance. Because codes continue to evolve, check with a local official prior to designing and installing a ceiling system. Other restrictions and exemptions may apply.	L.A. Research Report Compliance	Down brand suspension systems manufactured by USG Interiors, LLC, have been reviewed and are approved by listing in the following L.A. Research Report number: 25764.	Safety First!	Follow good safety/industrial hygiene practices during installation. Wear appropriate personal protective equipment. Read MSDS and literature before specification and installation.		
Installation	Must be installed in compliance with ASTM C636, ASTM E580, C1SCA, and standard industry practices.								
Product Information	See usg.com for the most up-to-date product information.								



Manufactured by USG Interiors, LLC
550 West Adams Street
Chicago, IL 60661

usg.com
seismicceilings.com
sustainableceilings.com
usgdesignstudio.com

The following are trademarks of USG Interiors, LLC, or a related company: CENTRICITEE, DOWN, DX, DXI, DXL, DXLA, DXT, FINELINE, IDENTITEE, USG, USG in stylized letters and ZXLA.

AC3301/3-12
© 2012, USG Interiors, LLC
Printed in U.S.A.