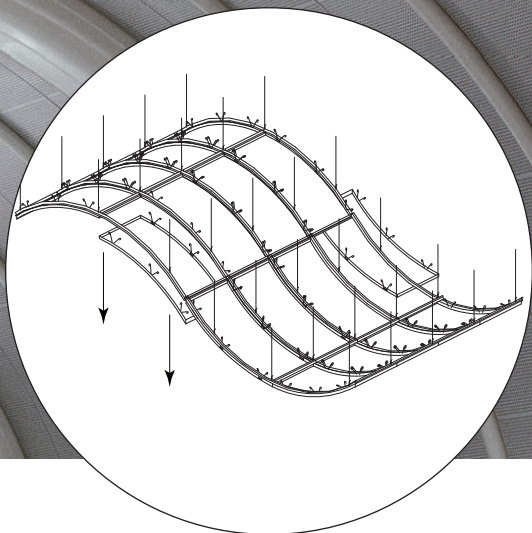


USG Ceilings Plus® RADIANS®

CURVED METAL CEILING SYSTEM

Architect: Gensler
Photo: © Vladimir Paperny

To order samples, contact your local sales representative



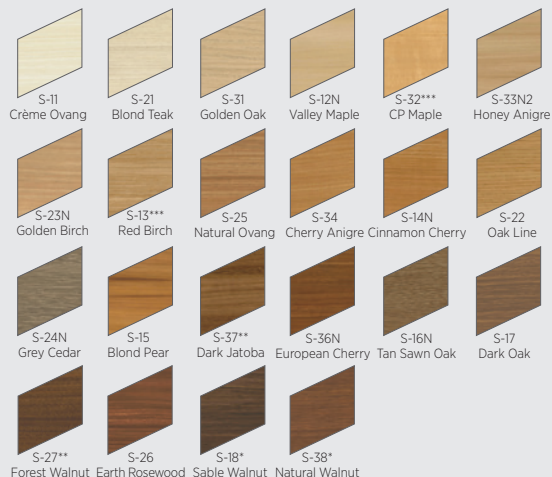
FEATURES AND BENEFITS

- Fully accessible system that allows access at every panel location.
- Third party integration of diffusers, lights, speakers, sprinklers, wifi, etc independently suspended).
- Acoustical performance utilizing perforations and sound absorbing materials including Acoustibond and Ultrasorb.
- Standard and customizable perforations are available to create visual patterns.
- Design flexibility with panel sizes and layout options.
- Varied mounting arrangements are available to respond to any installation requirements or conditions.
- Class A per ASTM E84, Zero Flame Spread, non-combustible aluminum core Fire Classification.

APPLICATIONS

- Interior and Exterior Applications
- Pods, Islands, and Clouds
- Wall to Wall Ceilings
- Wall Applications
- Sloped Ceilings
- Curved Ceilings
- New Construction
- Downward Accessible

SARANTE® - PVC FREE LAMINATE - ON METAL



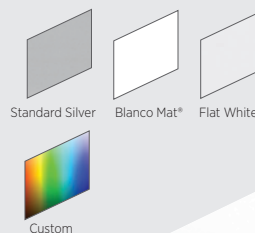
ARBOREAL® - REAL WOOD VENEER - INTERIOR ONLY - ON METAL



ANODIZED - ON METAL



PAINTED - ON METAL



USG Ceilings Plus® RADIANS®

CURVED METAL PANEL SYSTEM

ORDER SAMPLES/LITERATURE
Contact your local sales rep.

FOR MOST UP-TO-DATE TECHNICAL INFORMATION AND LEED REPORT TOOL
Contact your local sales rep.

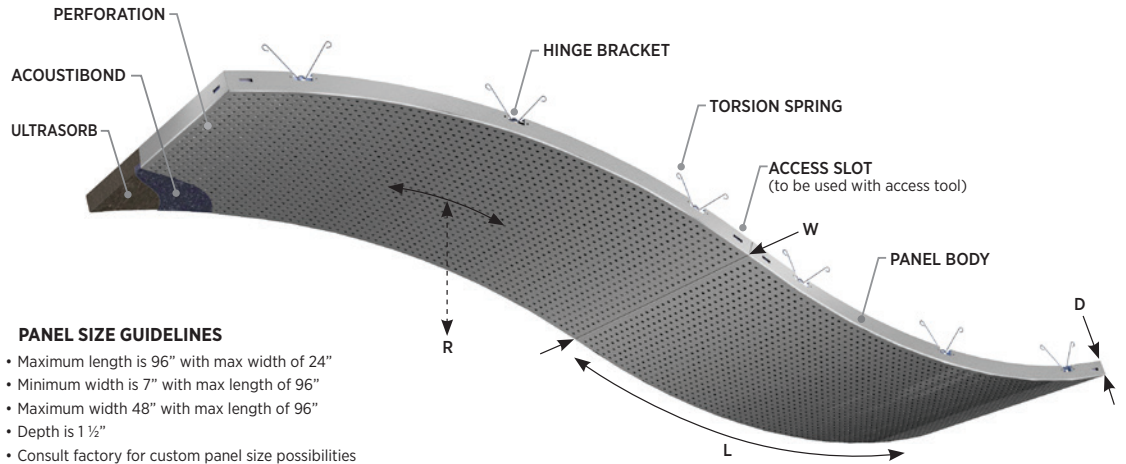
TECHNICAL SERVICES
Contact your local sales rep.

Declare. Declare® Labels on select finishes, see usg.com for more details and documentation.

PERFORMANCE OPTIONS

Application	Grid Options	Finish	Accessibility	Item No.	Acoustics	NRC	Perforation	Fire Rating	Recycled Content	Maintenance
Interior, Exterior	Torsion Spring Tee Grid	Arboreal, Sarante**, Anodized, Painted	Full Downward	---	Acoustibond, Ultrasorb	Up to 0.95 (Requires perforations and acoustic backfill)	Standard, Custom	Class A, ASTM E84 CAN/ULC S102	Up to 90%, finish dependent	See architectural specification

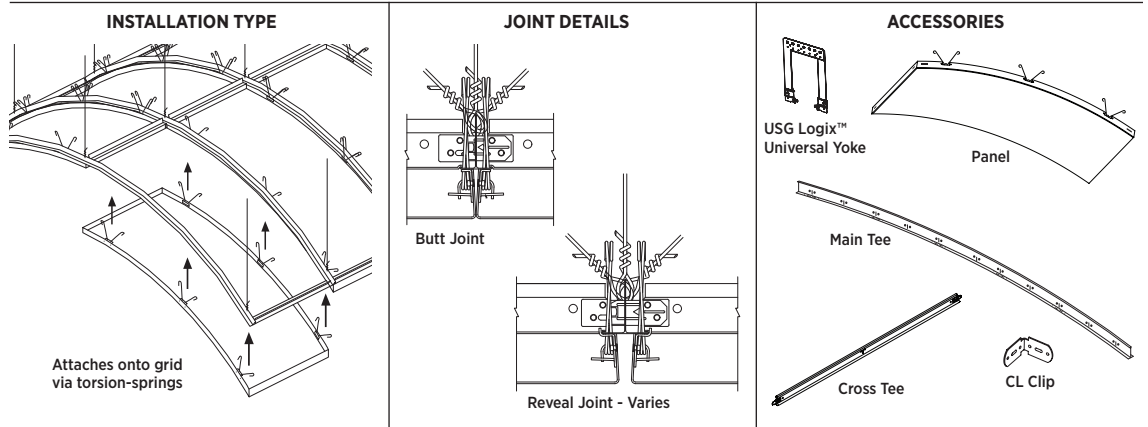
DESIGN PARAMETERS



PANEL SIZE GUIDELINES

- Maximum length is 96" with max width of 24"
- Minimum width is 7" with max length of 96"
- Maximum width 48" with max length of 96"
- Depth is 1 1/2"
- Consult factory for custom panel size possibilities
- Minimum Radius: is 30"
- Maximum Radius: Depends upon panel size

DETAIL & ACCESSORIES



Low Emissions (VOC)
CDPH 01350 v1.2-2017 compliance on select finishes, see usg.com for more details and documentation.

PHYSICAL DATA

Product Literature
Please contact your local sales representative for the following documents:

Architectural Specification
Installation Manual
Cleaning Instructions: IC518
Warranty: SC2102

Fire Classification
ASTM E84 and CAN/ULC S102 Surface burning characteristics
Class A
Flame Spread: 25 or less
Smoke development: 50 or less

Suspension System
Supporting main tees are classified as Heavy Duty as classified per ASTM C635 when tested in accordance with ASTM E3090 and AC368.

Seismic Compliance
Suspension System is included in ICC ES ESR 1222 for use in Seismic Design Categories A through F when installed according to ASTM C636 and ASTM E580. Alternate installation methods may be used when designed by a registered engineer and approved by the authority having jurisdiction. Test reports for suspension system performance may be available upon request.

Integration
Radians can accommodate a full range of Third-Party systems for any design intent. Air diffusers, speakers, sprinklers and other ceiling attached accessories can be independently attached to deck within our ceilings. CAD details are available online at www.ceilingplus.com.

Modification
Panels are easily modified in the field with standard tools. See our full list of CAD details.

Acoustics
Utilizing perforations and sound absorbing materials, we can meet your NRC requirement with Acoustibond and/or Ultrasorb. Fiberglass batts and duct liner are available upon request.

Footnotes
* Available in exterior
** Available in 48" wide
*** Available in both exterior and 48" wide

Notice
The information in this document is subject to change without notice. CGC Inc. or USG Corp. assumes no responsibility for any errors that may inadvertently appear in this document.

IC5410/rev. 10-23
© 2023 USG Corporation and/or its affiliates. All rights reserved. Printed in U.S.A.

Manufactured by USG Interiors, LLC
550 West Adams Street
Chicago, IL 60661

The trademarks USG, CEILINGS PLUS, CGC, ARBOREAL, BLANCO MAT, LOGIX, RADIANS, SARANTE, the USG/CGC logo, the Ceilings Plus logo, the design elements and colors, and related marks are trademarks of USG Corporation or its affiliates.

Safety First! Follow good safety/industrial hygiene practices during installation. Wear appropriate personal protective equipment. Read SDS and literature before specification and installation.

