

USG COMPÄSSO™ ELITE FOR DRYWALL

EXTRUDED PERIMETER TRIMS

USG Compässon™ Elite for Drywall
with USG Sheetrock® Brand
Ensemble™ Four-Sided Taper™ Panels

TO ORDER SAMPLES, GO TO USG.COM OR CGCINC.COM

USG COMPÄSSO™ ELITE FOR DRYWALL FINISH



Primer White

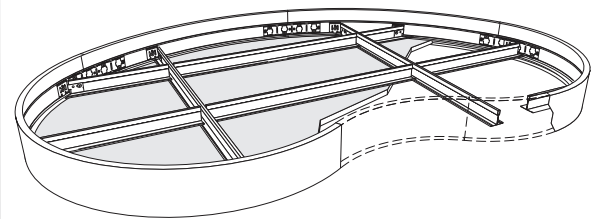
FEATURES AND BENEFITS

- USG Compässon™ Elite for Drywall is an extruded aluminum trim for creating drywall ceiling fascias.
- Easier to install than conventional drywall fascias.
- Available in 2-1/2", 4", 6" and 8" trim heights.
- Can be ordered in standard 10' lengths or custom engineered curves.
- Integrated taping flange for a clean, finished edge.
- Designed for 5/8" thick gypsum board.
- Works with USG Compässon™ Elite splice plates.
- Primer White can be field painted or sprayed with the USG Ensemble™ Spray-Applied Finish to match the adjacent ceiling.

APPLICATIONS

- Interior Applications
- Pods, Islands, and Clouds
- Sloped Ceilings
- Custom Curved Radius and Length
- Quick Ship Straights
- New Construction

Perspective



USG COMPASSO™ ELITE FOR DRYWALL

EXTRUDED PERIMETER TRIMS

ORDER SAMPLES/LITERATURE
 USG: usg.com or samplitt@usg.com
 CGC: contact Sales Representative

TECHNICAL SERVICES
 800.USG.4YOU (874-4968)

FOR MOST UP-TO-DATE
 TECHNICAL INFORMATION
 AND LEED REPORT TOOL
 usgdesignstudio.com
 cgcdesignstudio.com
 usg.ecomedes.com

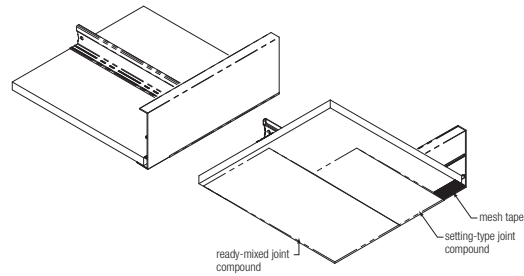
COMPONENTS

Trim Profiles
 Item #

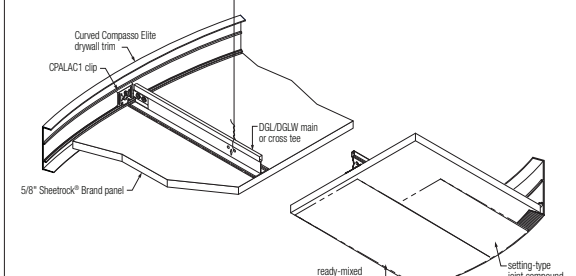
				Materials	Length	Finish
				Extruded aluminum alloy	10'	Factory-applied, baked-on polyester conversion coat
2-1/2"	4"	6"	8"	Factory-Welded Corners		
CPALDWJT2510	CPALDWJT410	CPALDWJT610	CPALDWJT810	<p>Inside Corner - 12.75"x12.75"</p> <p>Outside Corner - 12"x12"</p>		

USG COMPASSO™ ELITE DRYWALL TRIM INSTALLATION

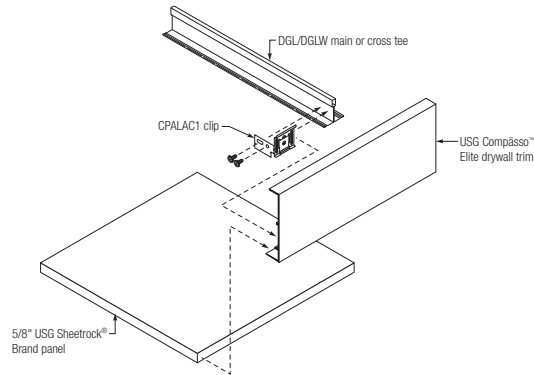
USG Compasso™ Elite Drywall Trim Assembly Isometric views from above and below



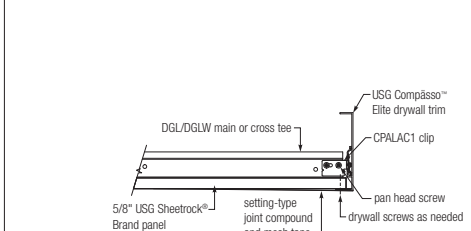
Curved Compasso™ Elite Drywall Trim Assembly isometric views from above and below



USG Compasso™ Elite Drywall Trim Assembly exploded view



USG Compasso™ Elite Drywall Trim Assembly



Low Emissions (VOC)

CDPH 01350 v1.2-2017 compliance on select finishes, see usg.ecomedes.com for more details and documentation.

FINISHING RECOMMENDATIONS

1. Apply the bed and tape coat using USG Sheetrock® Brand Easy Sand™ Joint Compound and USG Sheetrock® Brand Paper Joint Tape.
2. Apply the fill coat using USG Sheetrock® Brand Easy Sand™ Joint Compound or USG Sheetrock® Brand Joint Compound.
3. Apply the finish coat using USG Sheetrock® Brand Joint Compound.

Note

Use USG Compasso™ Elite splice plates for joining pieces together.

PHYSICAL DATA

Additional Documents and Resources

Data Sheet: AC3317
 Installation Guide: IC624
 Warranty: SC2102
 Care and Maintenance Instructions: IC518
 Trim Systems Design Guide

Online Tools

usgdesignstudio.com, cgcdesignstudio.com
 or usg.ecomedes.com

Recycled Content

For details, see the LEED report tool at
 usgdesignstudio.com or cgcdesignstudio.com

Material

Extruded aluminum alloy

Notice

We shall not be liable for incidental and consequential damages, directly or indirectly sustained, nor for any loss caused by application of these goods not in accordance with current printed instructions or for other than the intended use. Our liability is expressly limited to replacement of defective goods. Any claim shall be deemed waived unless made in writing to us within thirty (30) days from date it was or reasonably should have been discovered.

- Minimum radius is 18".

Notice

The information in this document is subject to change without notice. CGC Inc. or USG Corp. assumes no responsibility for any errors that may inadvertently appear in this document.

AC3317/rev. 8-24

© 2024 USG Corporation and/or its affiliates. All rights reserved. Printed in U.S.A.

Manufactured by
 USG Interiors, LLC
 550 West Adams Street
 Chicago, IL 60661

The trademarks USG, CGC, COMPASSO, EASY SAND, ENSEMBLE, FOUR-SIDED TAPER, SHEETROCK, IT'S YOUR WORLD. BUILD IT., the USG/CGC logo, the design elements and colors, and related marks are trademarks of USG Corporation or its affiliates.

Safety First! Follow good safety/industrial hygiene practices during installation. Wear appropriate personal protective equipment. Read SDS and literature before specification and installation.

