

# USG Ceilings Plus® Design Solutions BARZ® + BRILLIANCE™

BAFFLES WITH INTEGRATED LINEAR LED SOLUTION



Rendering  
©USG Corporation 2023.  
All rights reserved.

To order samples, contact your local sales representative



Downward Accessible Installation

## FEATURES AND BENEFITS

- Barz® baffles are now available with Brilliance™ lighting - a fully integrated linear LED lighting solution!
- Still fully accessible panelized cassette system with torsion spring grid attachment.
- This pre-engineered offering of SKU's ships in 8 weeks or less.\*
- Fully integrated lighting reduces coordination & installation time with easy-to specify BOM.
- Static white color temperatures 3500K or 4000K options with IES files & AGI32/Revit database objects available.
- Full lighting layout calculations and design.

## APPLICATIONS

- Interior Applications
- New Construction or Renovation
- Pods, Islands, and Clouds
- Downward Accessible
- Wall to Wall Ceilings

## FINISHES

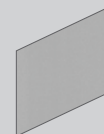
### PAINTED



Blanco Mat\*



Matte Black



Silver Satin

### SARANTE®



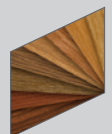
S-22  
Oak Line



S-15  
Blond Pear



S-37  
Dark Jatoba



Full Sarante®  
offering  
available as  
a premium

### ACOUSTICS



Ultrasorb  
(infill or lay-in)

### PERFORATION



CD06310 (SD-7)  
10% Open  
(perforated on  
sides of baffle)

# USG Ceilings Plus® Design Solutions BARZ® + BRILLIANCE™

BAFFLES WITH INTEGRATED LINEAR LED SOLUTION

ORDER SAMPLES/LITERATURE

Contact your local sales rep.

FOR MOST UP-TO-DATE

TECHNICAL INFORMATION

AND LEED REPORT TOOL



Contact your local sales rep.

TECHNICAL SERVICES






Contact your local sales rep.

**Declare.** Declare® Labels on select finishes, see usg.com for more details and documentation.

## PERFORMANCE OPTIONS (Lighting Components)


| Application | Integration  | Approvals               | Operating Voltage | Certification   | Dimming   | Light Output @ 3000K | Average Power Consumption (for 8' section) | Efficacy Lm/W | Maximum Run Length (in series) | CRI |
|-------------|--|-------------------------|-------------------|---|---|----------------------|--|---------------|--------------------------------|-----|
| Interior    | Full Integrated Design, Full Factory Installed Product | Class 1-96W Damp Listed | 24 VDC            |  UL Listed |  Dimmable 0-10V | 393 lm/ft            | 5.9 W/ft                                   | 67            | 16 feet per 96 Watt driver     | 92  |

## PERFORMANCE OPTIONS (Ceiling Components)


| Application | Grid Options  | Finishes         | Accessibility | Acoustics | Array-NRC <sup>1</sup>   | Perforation  | Fire Rating   | Recycled Content  | Maintenance                     |
|-------------|---|------------------|---------------|-----------|--|--|---|---|---------------------------------|
| Interior    |  Torsion Spring Tee Grid | Sarante, Painted | Full Downward | Ultrasorb |  0.75 (Ultrasorb infill) / 1.40 (Ultrasorb infill + lay-in) |  CD06310 (SD-7) |  Class A |  Up to 90%, finish dependent (hardware excluded) | See architectural specification |

## DESIGN PARAMETERS

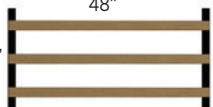
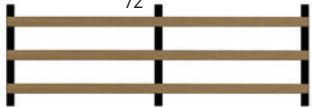

**Single Light Option**  
(Lighted baffles may be detached and rearranged during installation)



**Double Light Option**



**3 Size Modules:**  
(lights not shown)

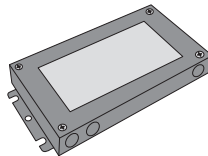
 48"  
 72"  
 96"

**Profiles:**  
2" x 6"

**Light Color Options:**

- 3500K
- 4000K

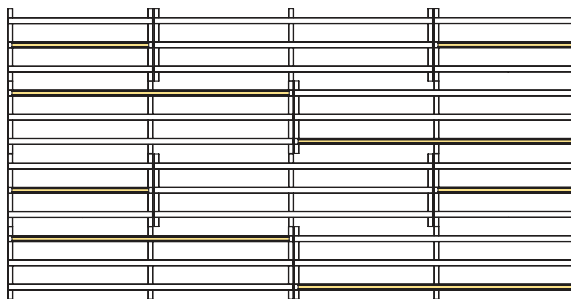
## DRIVERS:



**Class-2 (96W)**  
(need 1 driver for every 16' of light)

## REFERENCE LAYOUT:

- 24" x 48" (4)
- 24" x 96" (6)



## PHYSICAL DATA

### Additional documents and resources:

Please contact your local sales representative for the following documents:

Architectural Specification  
Installation Manual: IC329952, IC5465  
Cleaning Instructions: IC518  
Warranty: SC2102

### Fire Classification:

Barz® product line is class A in accordance with ASTM E84.

### Suspension System

Supporting main tees are classified as Heavy Duty as classified per ASTM C635 when tested in accordance with ASTM E3090 and AC368.

### Seismic Compliance

Suspension System is included in ICC ES ESR 1222 for use in Seismic Design Categories A through F when installed according to ASTM C636 and ASTM E580. Alternate installation methods may be used when designed by a registered engineer and approved by the authority having jurisdiction. Test reports for suspension system performance may be available upon request.

### Integration

Barz® can accommodate a full range of LED lighting fixtures for any design intent. Air diffusers, speakers, sprinklers, and other ceiling attached accessories can also be integrated as well (independently suspended). CAD details are available online at [www.ceilingplus.com](http://www.ceilingplus.com).

### Modifications:

Cassette systems are easily modified in the field with our template tools. These tools which provide easy precision cutting are standard supplied parts with each order. See our installation manual for details.

### \*Lead Times:

For projects up to 2500 square feet.

1. Array-NRC is calculated per ASTM C423 for the specific Barz® assembly identified.

### Notice

The information in this document is subject to change without notice. CGC Inc. or USG Corp. assumes no responsibility for any errors that may inadvertently appear in this document.

IC307329/rev. 10-23

© 2023 USG Corporation and/or its affiliates. All rights reserved. Printed in U.S.A.

Manufactured by USG Interiors, LLC 550 West Adams Street Chicago, IL 60661

The trademarks USG, BARZ, BLANCO MAT, BRILLIANCE, CGC, IT'S YOUR WORLD, BUILD IT., the USG/CGC logo, the design elements and colors, and related marks are trademarks of USG Corporation or its affiliates.

Safety First! Follow good safety/industrial hygiene practices during installation. Wear appropriate personal protective equipment. Read SDS and literature before specification and installation.

