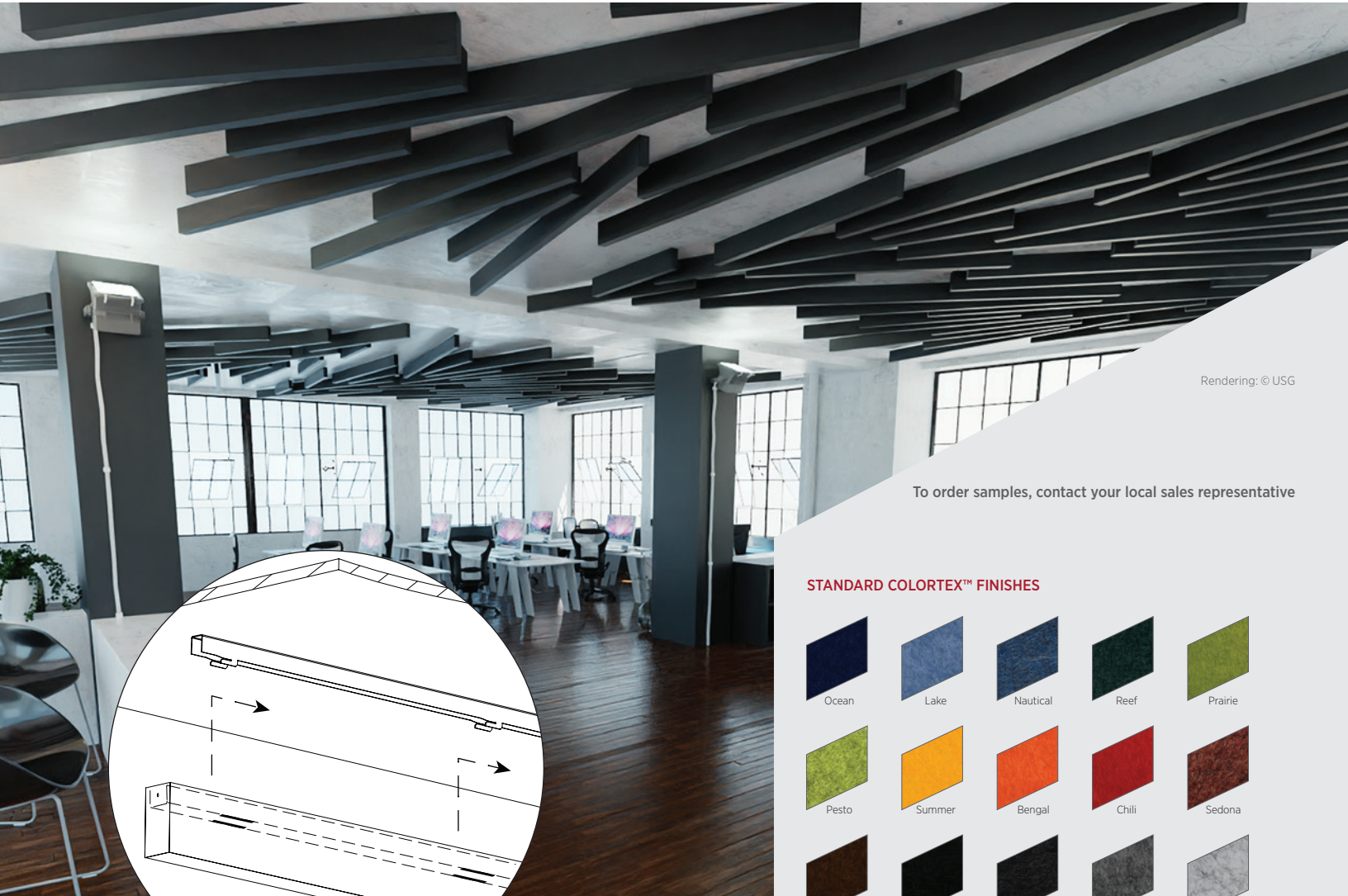


# USG Ceilings Plus® Design Solutions

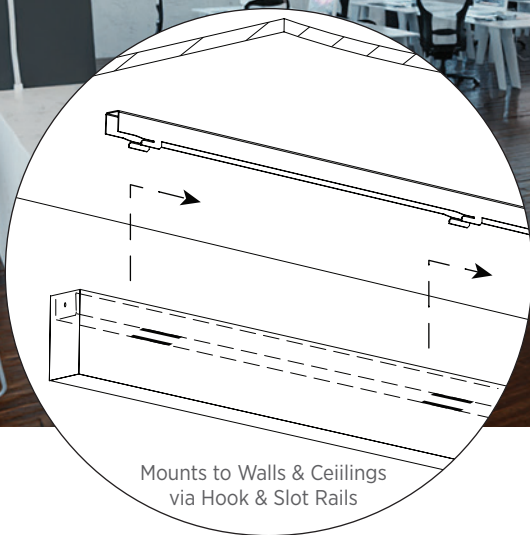
## COLORTEX™ -BARZ™ DIRECT MOUNT

ACOUSTIC PANEL SOLUTIONS



Rendering: © USG

To order samples, contact your local sales representative



Mounts to Walls & Ceilings  
via Hook & Slot Rails

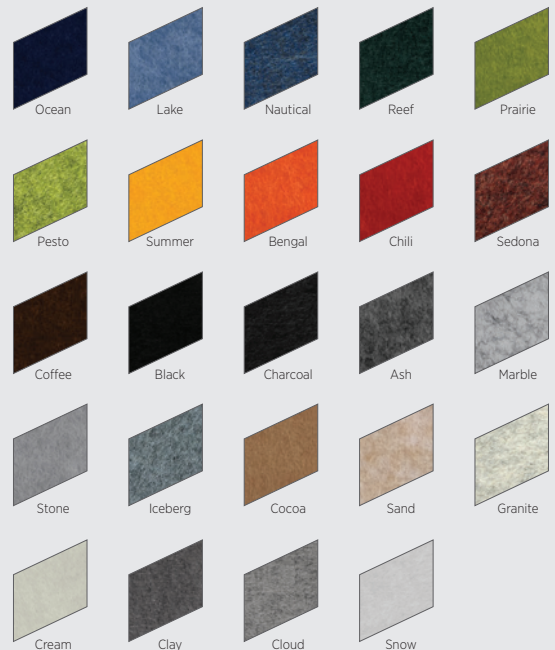
### FEATURES AND BENEFITS

- Made from 100% recycled materials, including plant-based fibers.
- Mounts flush to finished walls & ceilings with locking provision to secure in place.
- Hook & slot rails provide quick & easy installation.
- Multiple profiles and unlimited positioning allow for endless possibilities.
- Provides excellent acoustic performance with NRC\* up to 1.00.
- Available in 12mm-thick material.

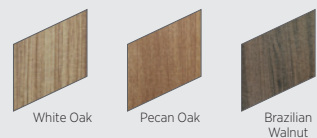
### APPLICATIONS

- Interior Applications
- Pods, Islands, and Clouds
- Wall to Wall Ceilings
- Sloped Ceilings
- Wall Applications
- New Construction or Renovation
- Downward Accessible

### STANDARD COLORTEX™ FINISHES



### WOODGRAIN COLORTEX™ FINISHES



# USG Ceilings Plus® Design Solutions COLORTEX™-BARZ™ DIRECT MOUNT





ACOUSTIC PANEL SOLUTIONS

**ORDER SAMPLES/LITERATURE**  
Contact your local sales rep.

**FOR MOST UP-TO-DATE  
TECHNICAL INFORMATION  
AND LEED REPORT TOOL**  
Contact your local sales rep.

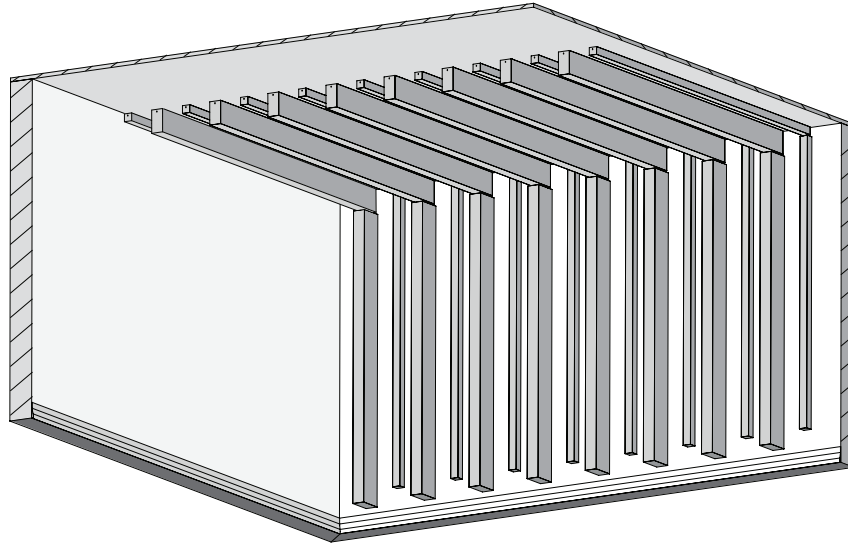
**TECHNICAL SERVICES**  
Contact your local sales rep.

## PERFORMANCE OPTIONS

Application	Grid Options	Finish	Accessibility	Item No.	Thickness	NRC*	Perforation	Fire Rating	Recycled Content	Maintenance
										
Interior	Direct mount via Hook & Slot Rails	24 Standard Colors & 3 Wood Grains	Full Downward	---	12mm	Up to 1.00	---	Class A, ASTM E84	60% Post-recycled/40% Pre-recycled content (hardware excluded)	See installation Guide

## DESIGN PARAMETERS

### FULLY INSTALLED SYSTEM



#### PROFILES:

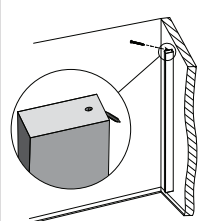
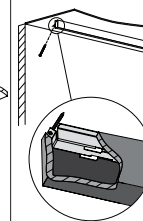
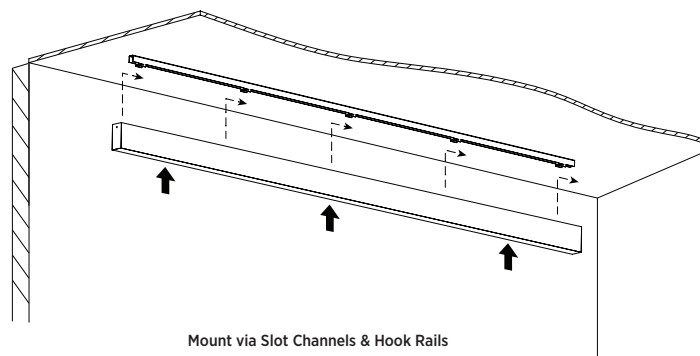
- 2"W x 2"H
- 2"W x 5"H
- 2"W x 10"H
- 3"W x 2"H
- 3"W x 6"H
- 4"W x 2"H
- 4"W x 4"H
- 4"W x 8"H

#### LENGTHS:

- 48"L
- 72"L
- 96"L

## INSTALLATION DETAIL

### INSTALLATION TYPES



#### Low Emissions (VOC)

CDPH 01350 v1.2-2017 compliant, see usg.com for more details and documentation.

## PHYSICAL DATA

### Product Literature

Please contact your local sales representative for the following documents:

- Check Sheet
- Installation Guide
- Architectural Specification
- CAD & Revit files
- Cleaning Instructions
- Warranty: SC2102

### Fire Classification:

Colortex Barz material is Class A in accordance with ASTM E84.

### Suspension System

Colortex Barz suspension system is ICC approved in accordance with International Building Code standards for seismic categories A, B, C, D, E, F. Calculations to support slotted grid and "heavy duty" rating is available upon request.

### Seismic Compliance

USG Ceiling Plus designs, engineers and manufactures ceiling systems using heavy duty rated tee bar suspension components as outlined in ASTM C635 for all of its ceiling systems (as applicable). Full report is available upon request.

### Structural Test Reports

USG Ceilings Plus has developed Colortex Barz ceiling systems to meet ASTM 635, ASTM 636 and typical local building code requirements. Test reports for suspension system performance may be available upon written request.

### Acoustic Performance:

\*NRC values are calculated for the Barz array from sound absorption testing per ASTM C423 with Colortex Barz in Type J Mounting as described in ASTM E795. Total measured sound absorption (sabins) for each Barz profile and orientation is divided by the footprint area (sq. ft) of the tested Barz array to calculate sound absorption per unit area (sabins per sq. ft) of the array, which is analogous to NRC.

### Integration:

Colortex Barz can accommodate a full range of Third-Party systems for any design intent. Air diffusers, speakers, sprinklers and other ceiling attached accessories can be independently attached to deck within our ceilings. CAD details are available online at [www.usg.com](http://www.usg.com).

### Modification:

Panels are easily modified in the field with standard tools. See our Installation Guide.

#### Notice

The information in this document is subject to change without notice. CGC Inc. or USG Corp. assumes no responsibility for any errors that may inadvertently appear in this document.

#### IC307335/rev. 5-23

© 2023 USG Corporation and/or its affiliates. All rights reserved. Printed in U.S.A.

Manufactured by USG Interiors, LLC  
550 West Adams Street  
Chicago, IL 60661

The trademarks USG, CEILINGS PLUS, CGC, Colortex, Barz, Logix, Donn, the USG/CGC logo, the Ceilings Plus logo, the design elements and colors, and related marks are trademarks of USG Corporation or its affiliates.

Safety First! Follow good safety/industrial hygiene practices during installation. Wear appropriate personal protective equipment. Read SDS and literature before specification and installation.

