



USG CEILINGS PLUS[®]
PLANX[™] UNIVERSAL
LINEAR METAL PANEL SYSTEM
INSTALLATION GUIDE



Introduction

Enter **PLANX™ UNIVERSAL** - Innovative ceiling designs brought to you by **USG Ceilings Plus**. In this manual we'll show you how to perform the installation the right way, the first time. Go ahead, install with a smile..

The purpose of this installation manual is to provide you with general steps and procedures on how to properly and safely install **PLANX™ UNIVERSAL** ceiling systems as well as how to address various field conditions.

Please read this entire manual and familiarize yourself with all procedures before you begin. If you have been supplied with project drawings specific to your order, make sure you have a thorough understanding of those. Any details within those documents will supersede this manual. Work area must be clear of debris and obstacles to ensure a safe and fast installation.

Please work safely!

Table of Contents

Preparation

Component Identification	1
Tools	2

General Installation

Install Hanger Wire & Main Tees	3
Install Cross Tees	4
Level Grid System	5
Install OPTIONAL REVEAL PANELS to Grid	6
Install End-Caps - OPTIONAL REVEAL System	7
Install Snap-Loc Insert - OPTIONAL REVEAL System	8
Install Snap-Loc Insert - OPTIONAL REVEAL System	9
Install INTEGRAL REVEAL PANELS to Grid (Left-to-Right)	10
Install INTEGRAL REVEAL PANELS to Grid (Right-to-Left)	11
Install NO-REVEAL PANELS to Grid	12
Install DEEP BOX PANELS to Grid	13
Splice Integration for DEEP BOX Panels	14
Install U-Mold Channels to Walls	15
Install & Align Main Carriers	16
Install Cross-Tees & Square Grid	17
Field-Cut & Install Perimeter Panels	18
Access Door Construction - Field Work	19
Access Portal - Field Work	20
Grid Field-Cutting for Column Integration	21
Panel Field-Cutting for Column Integration	22
U-Molding Installment for Column Integration	23
End-Cap & Splice Installment for Column Integration	24
Install Snap-Loc Insert - DEEP BOX System	25
Install Snap-Loc Insert - DEEP BOX System	26

Maintenance

Adjust & Clean	27
----------------	----

Support

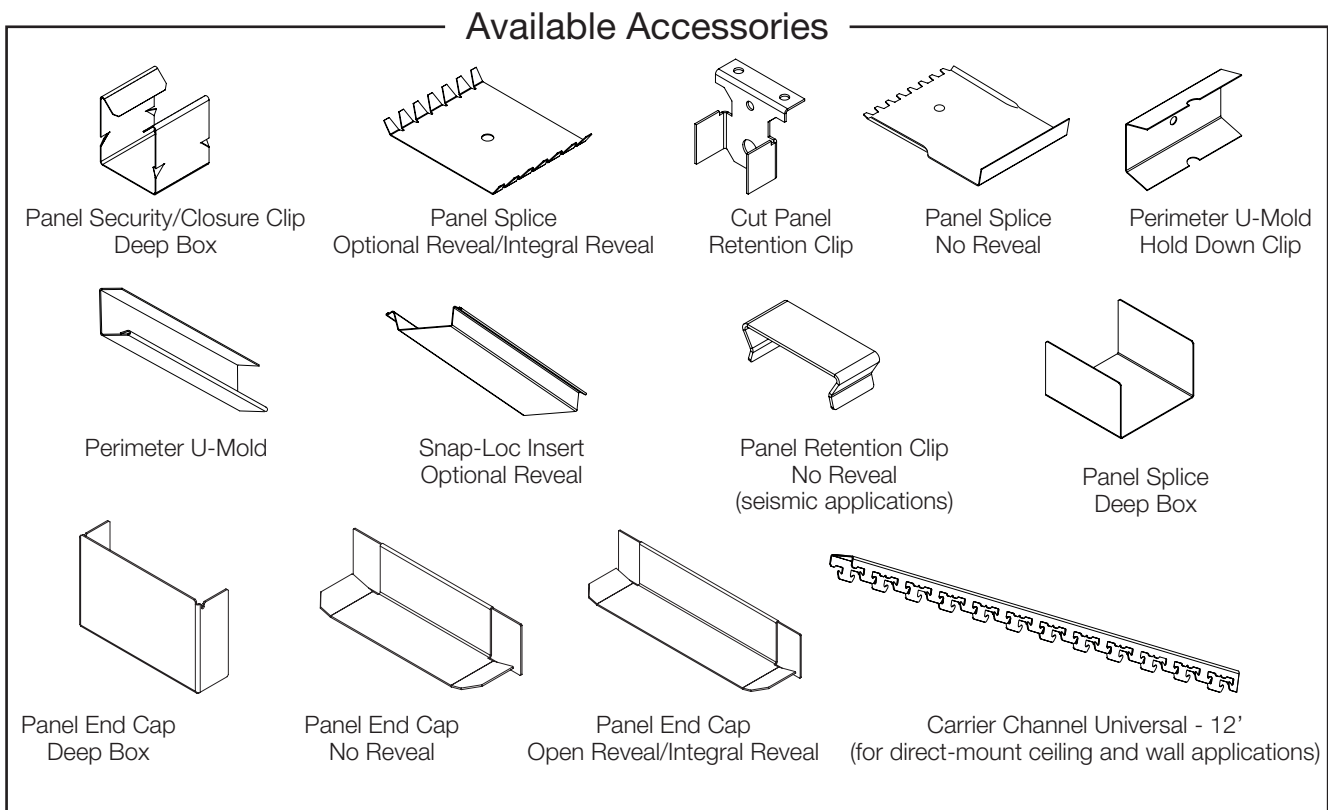
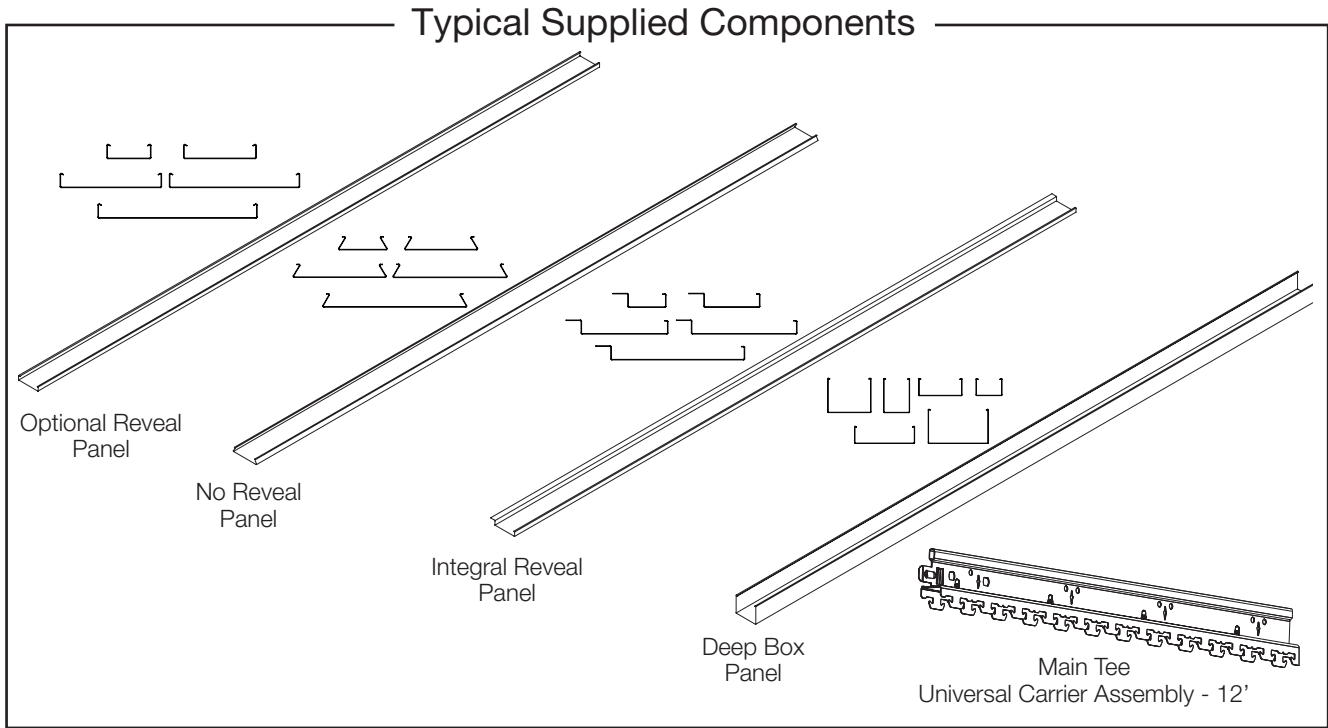
Contacts	27
----------	----

Notices

28

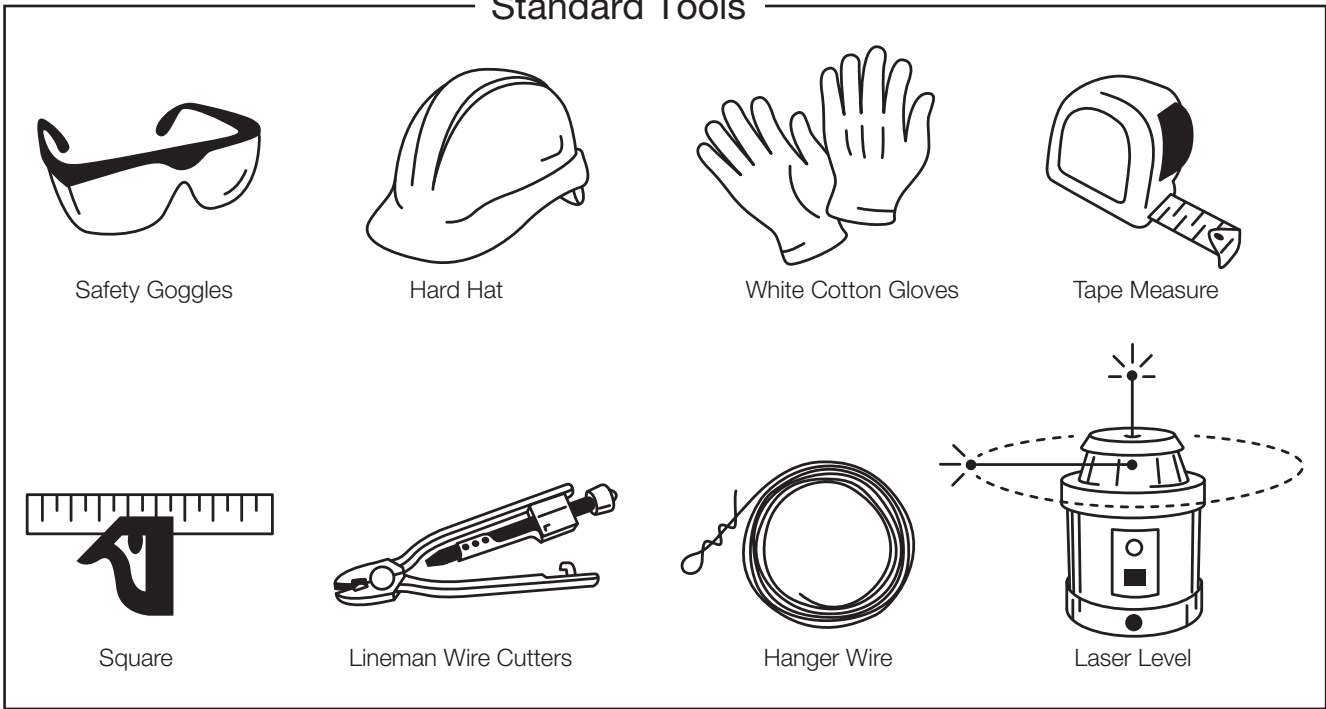
Preparation

Component Identification

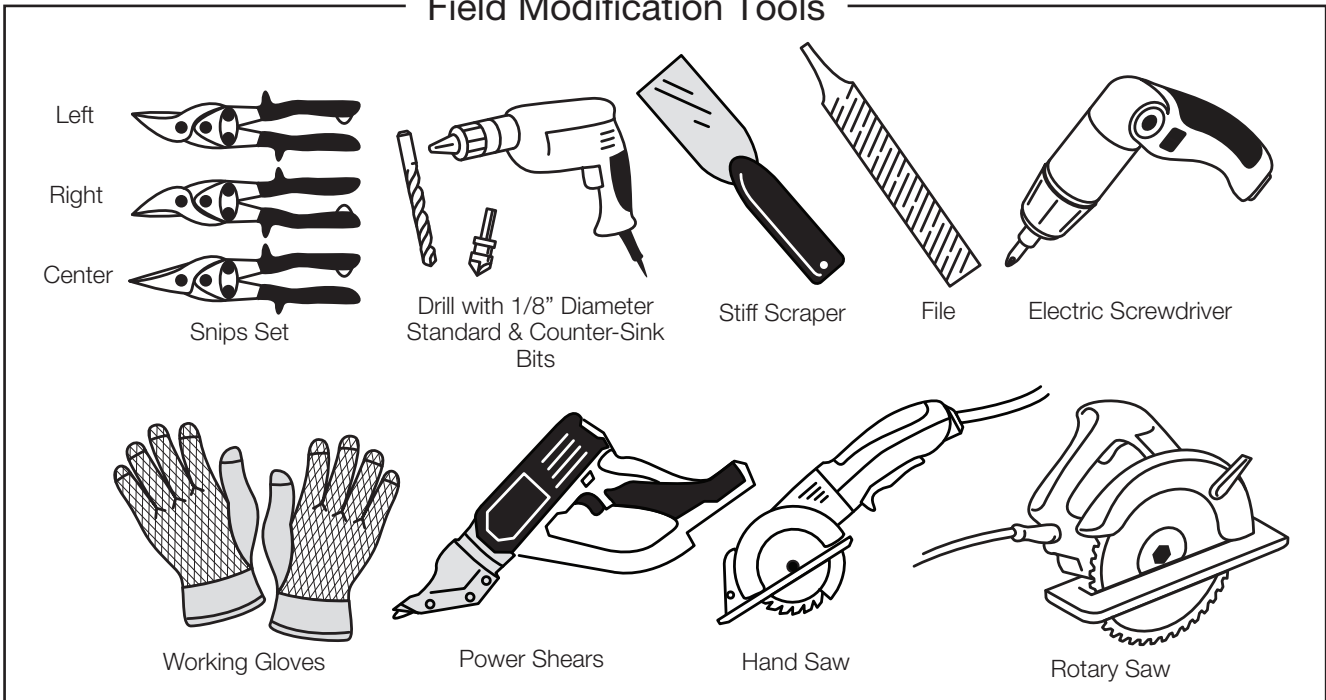


Preparation Tools

Standard Tools

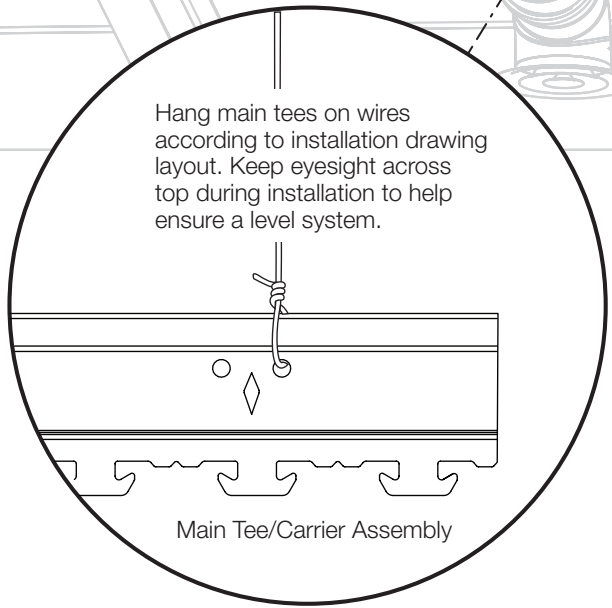
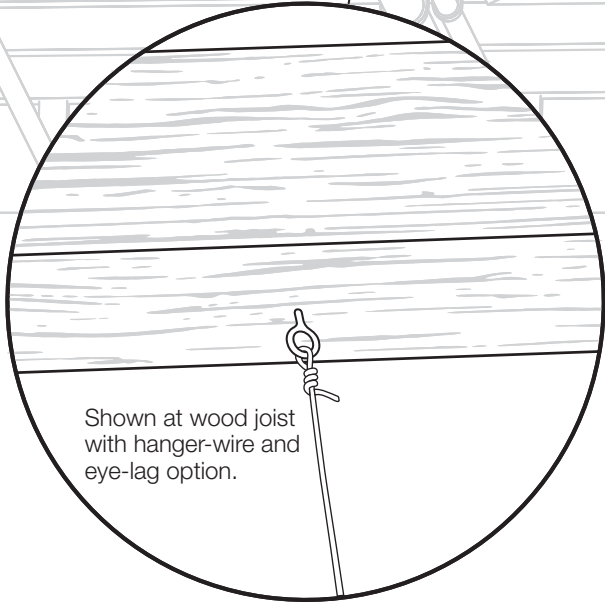
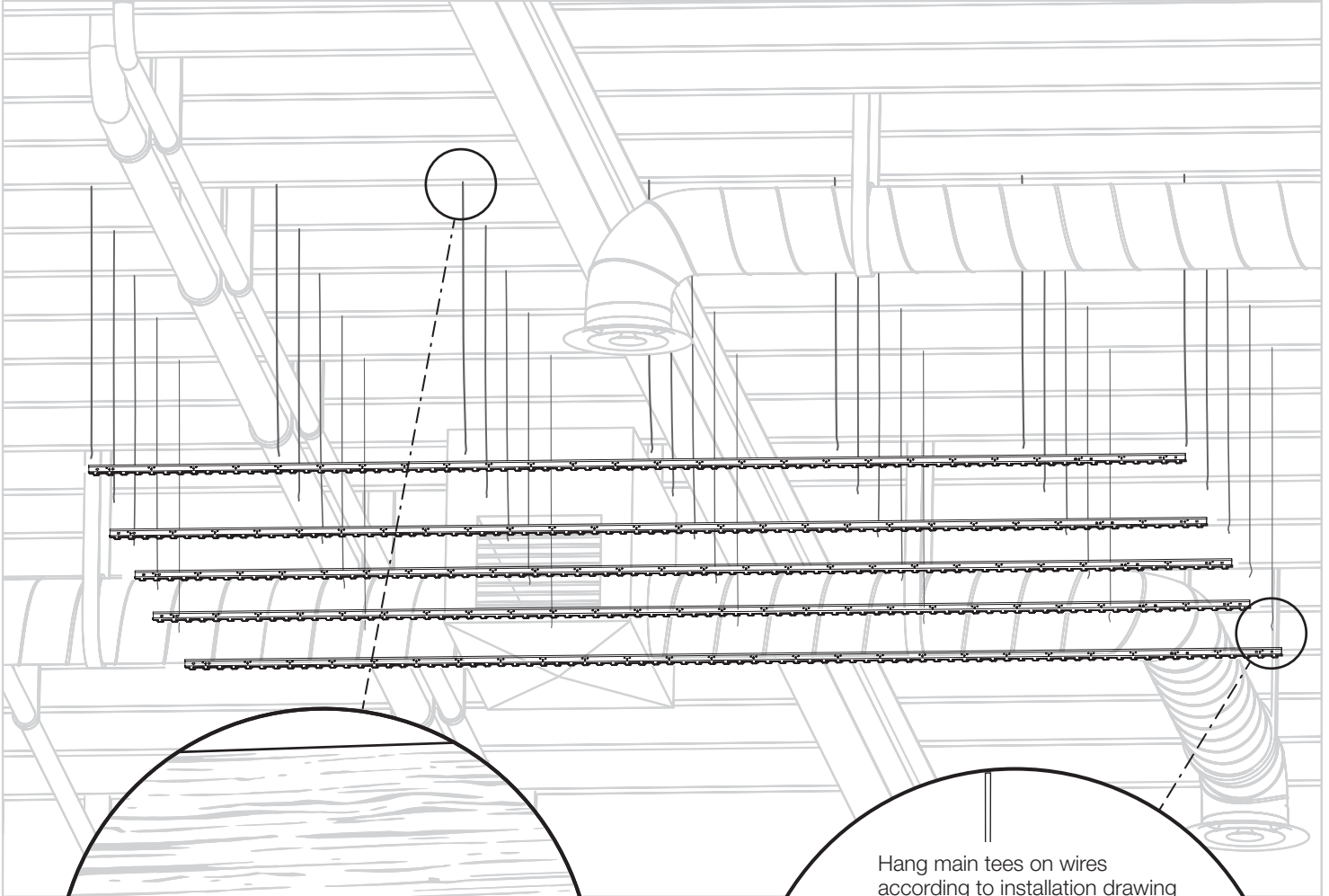


Field Modification Tools



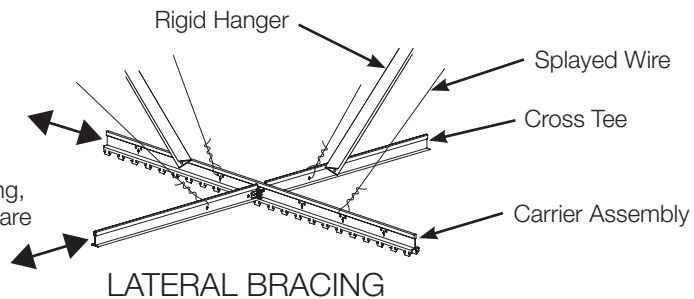
General Installation

Install Hanger Wire & Main Tees



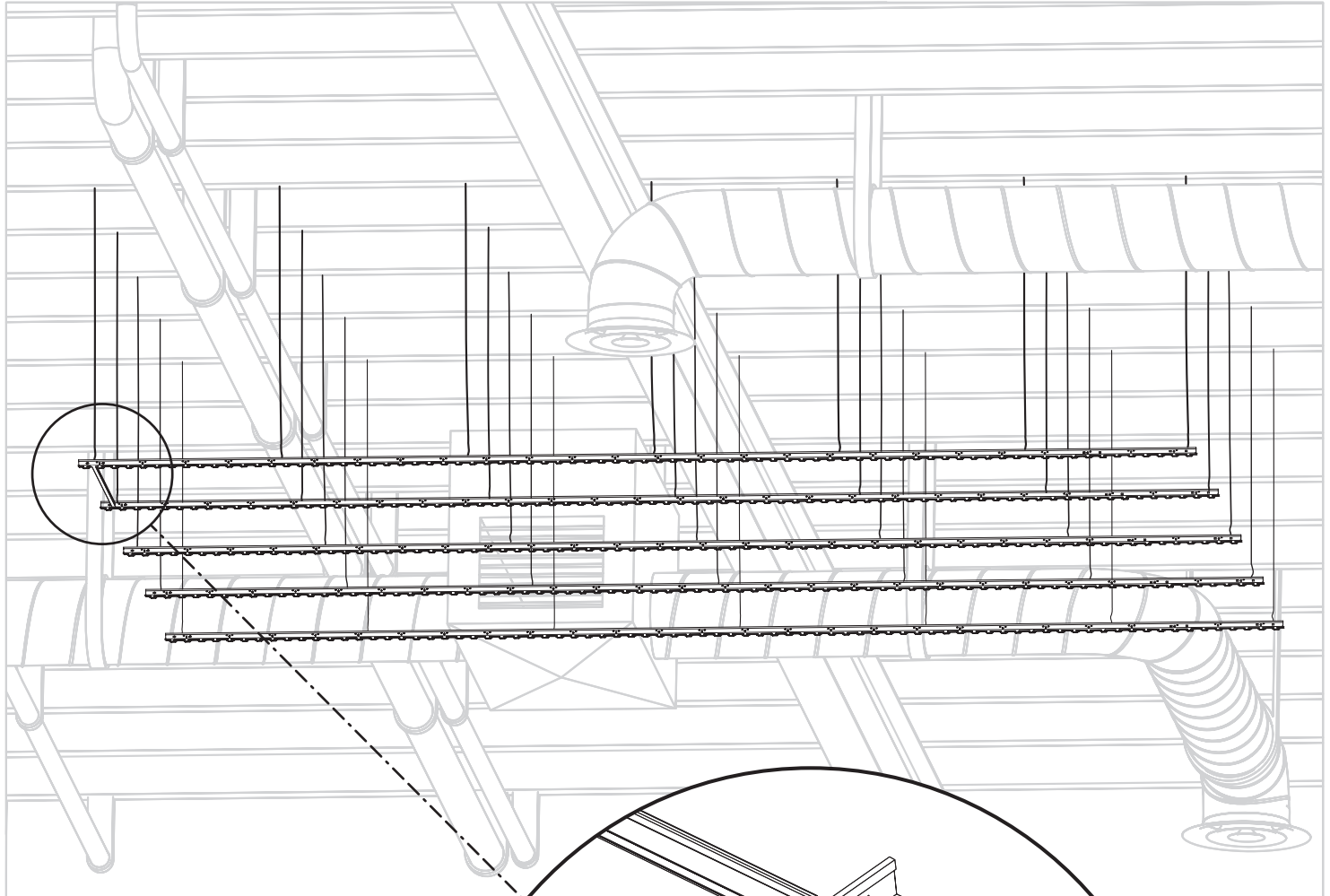
Install per ASTM C636 and ASTM E580 specifications. Select the correct fastener based on your field conditions, i.e. shot-in pin, anchor bolts, screw/clip, etc.

Install additional bracing required for project's seismic codes. Lateral bracing wires/compression posts. For lateral bracing, counter-splayed wires or diagonal bracing are required for each direction.

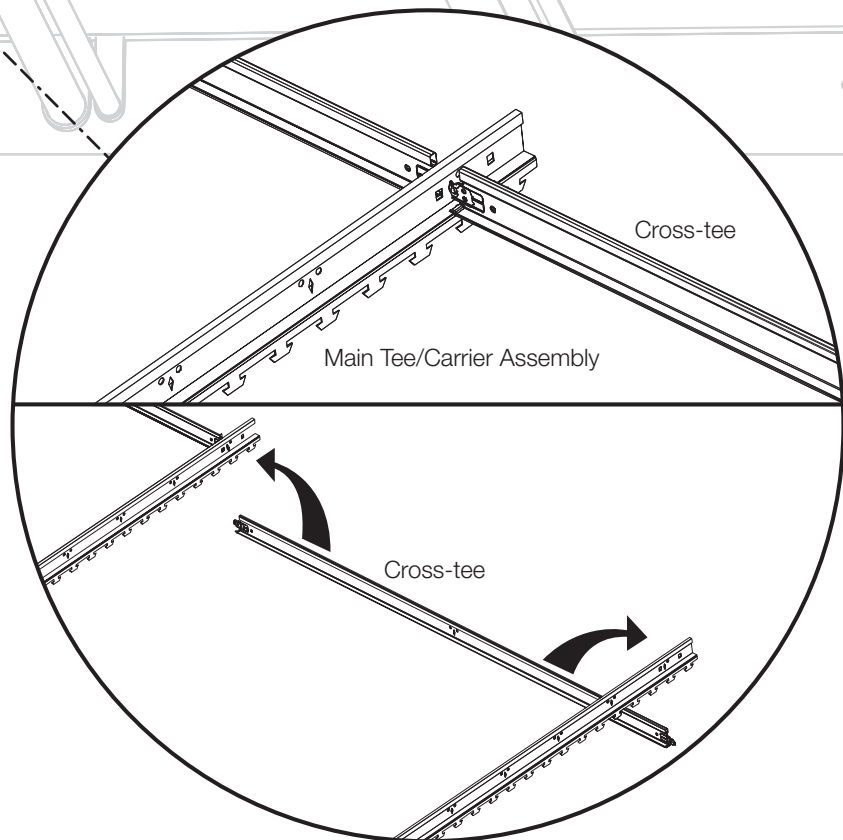


General Installation

Install Cross Tees

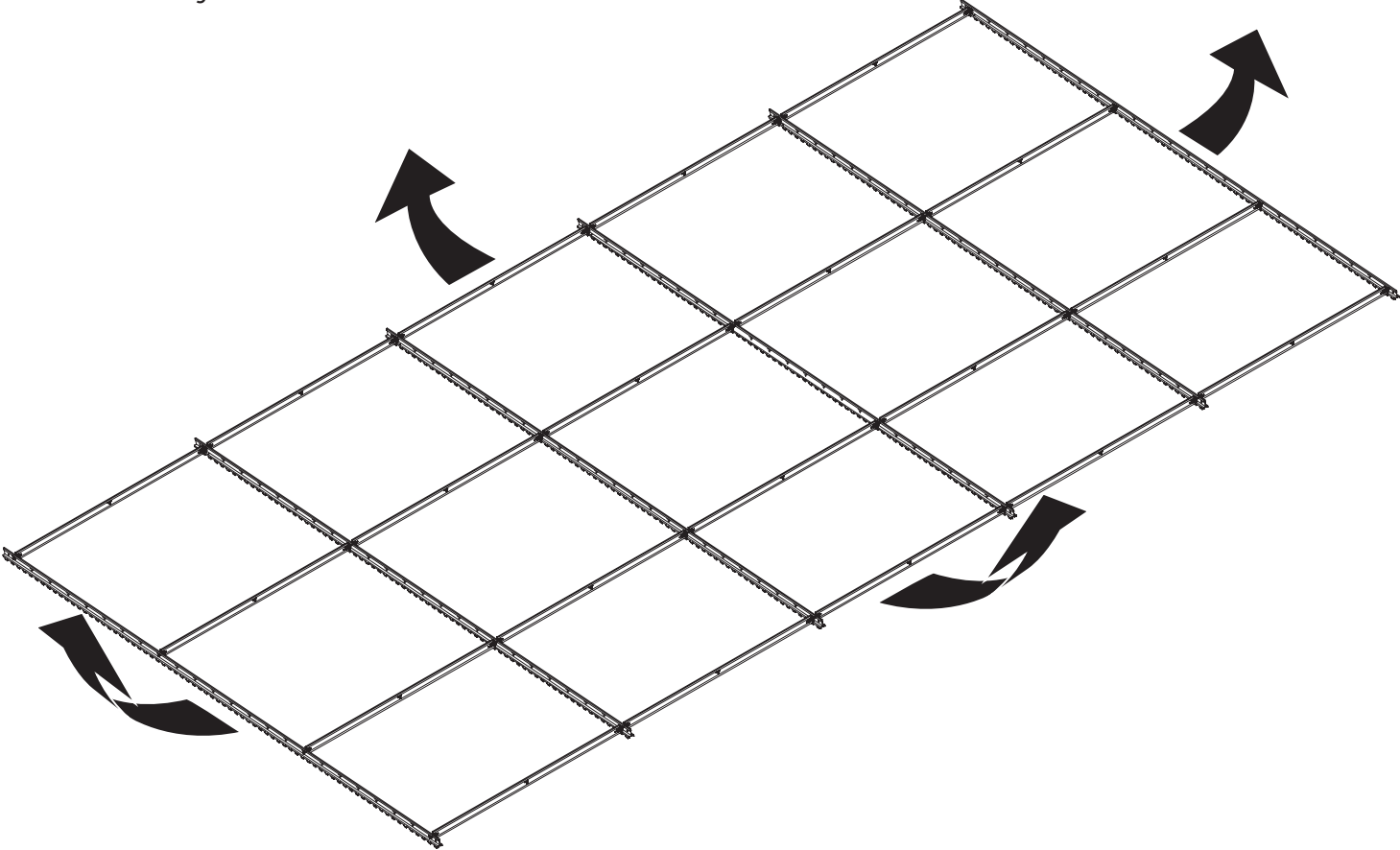


Install cross-tees into main tees with 48" maximum \varnothing spacing. Follow installation drawing layout.

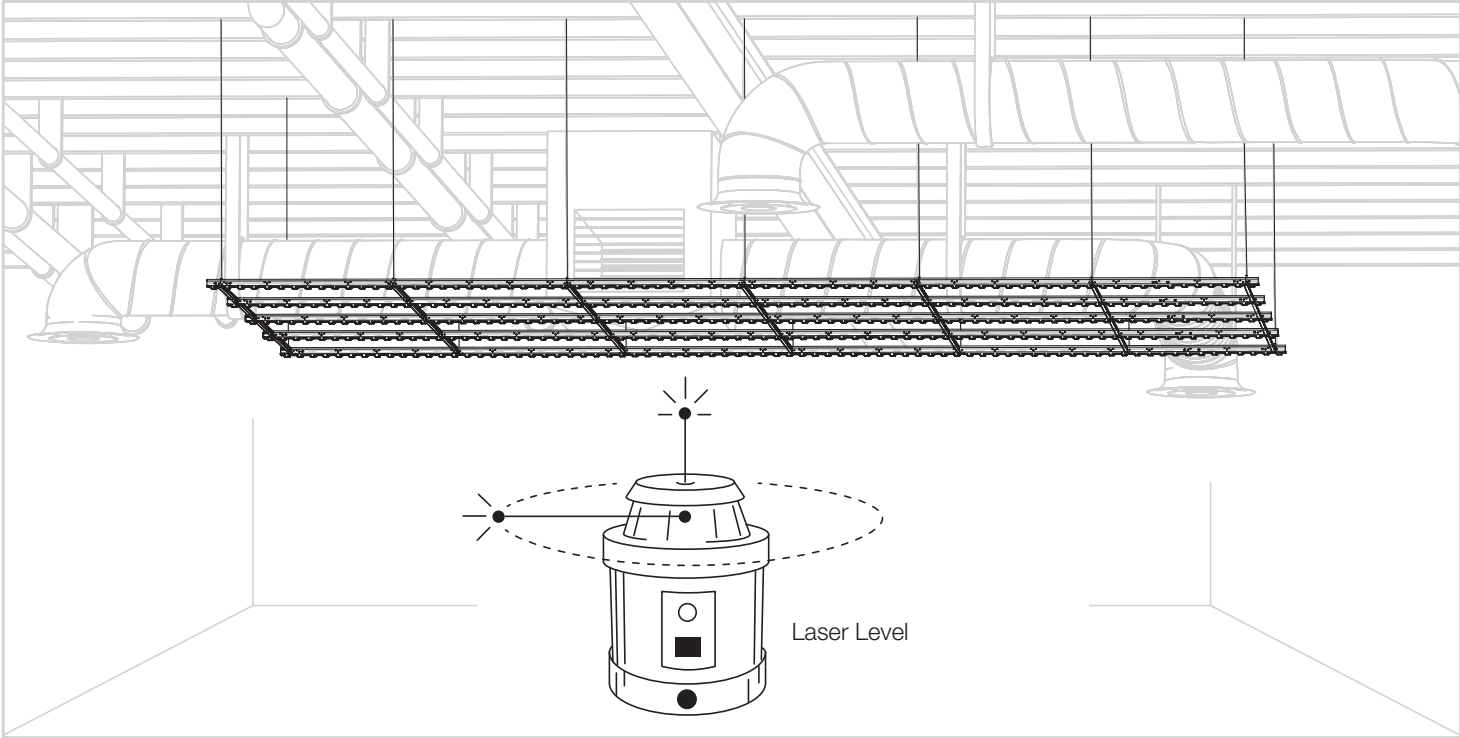


General Installation

Level Grid System

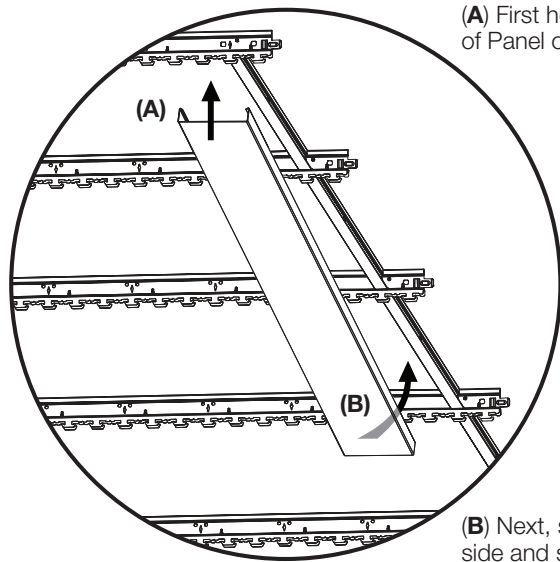
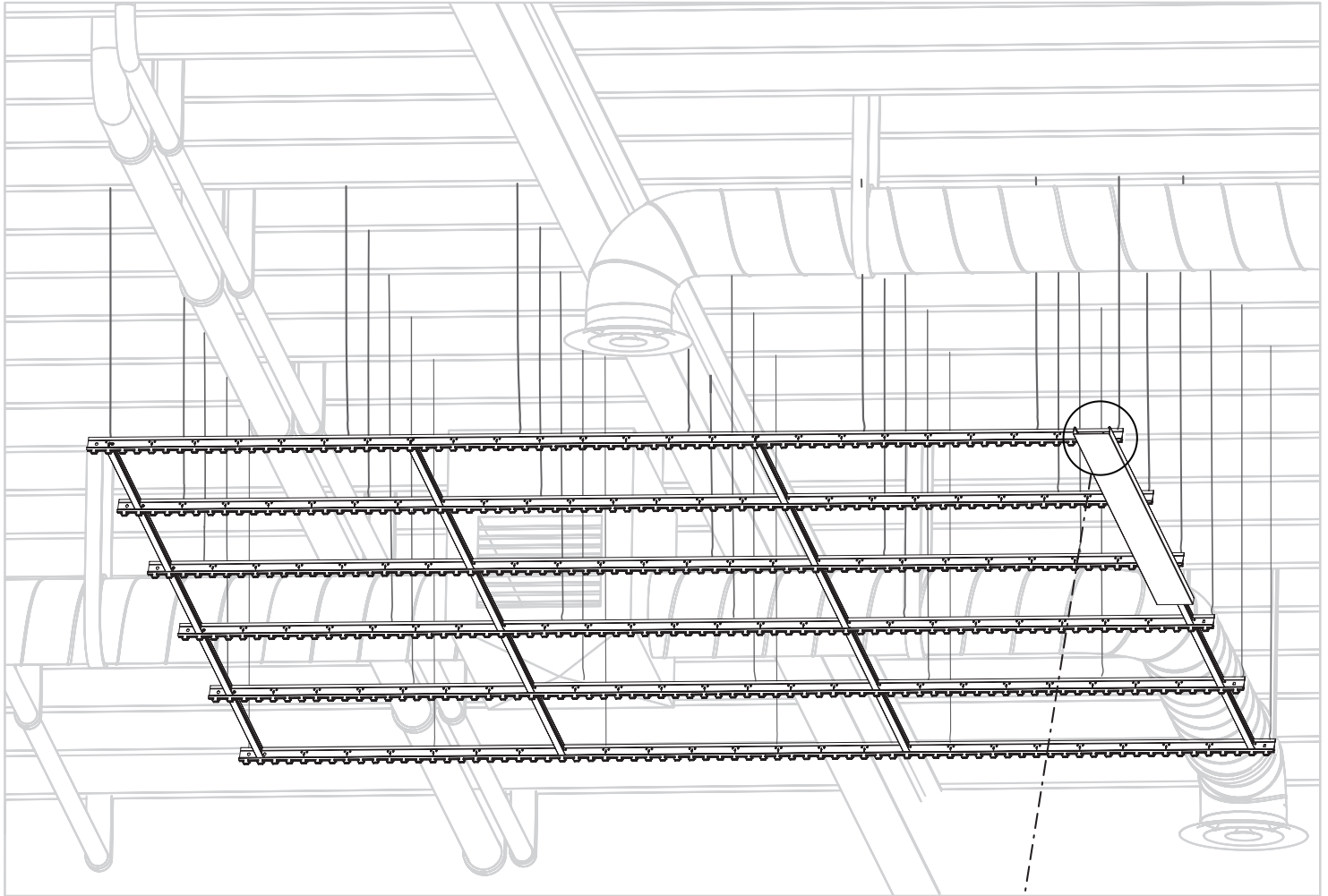


Use laser level to ensure whole grid is leveled to a 1/8" maximum variance.



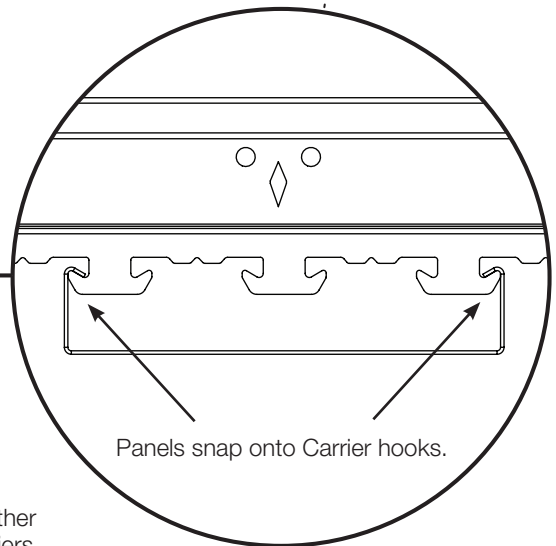
General Installation

Install OPTIONAL REVEAL PANELS to Grid



(A) First hook one side of Panel onto Carriers.

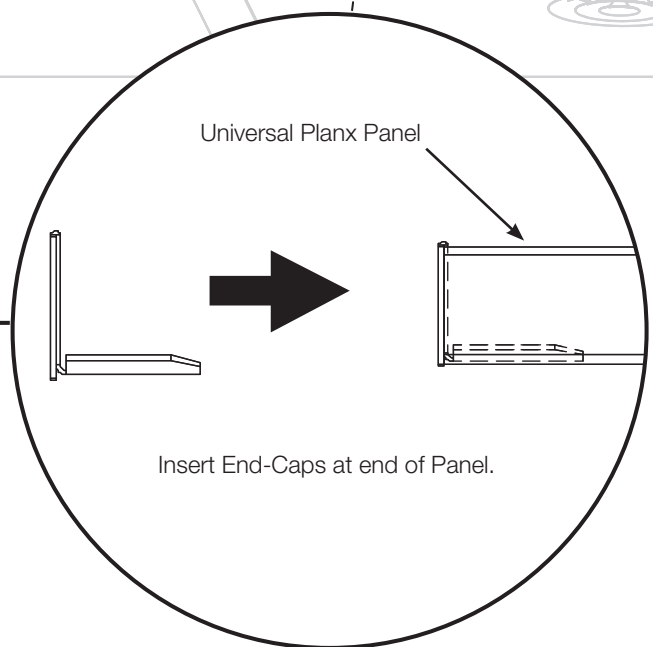
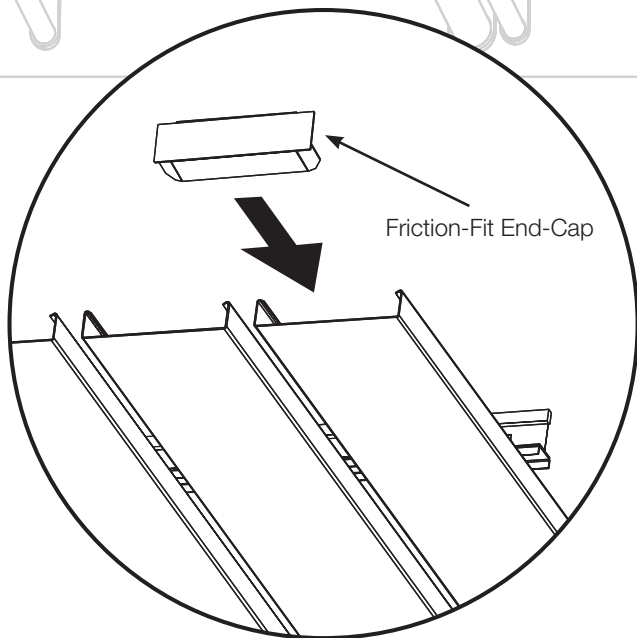
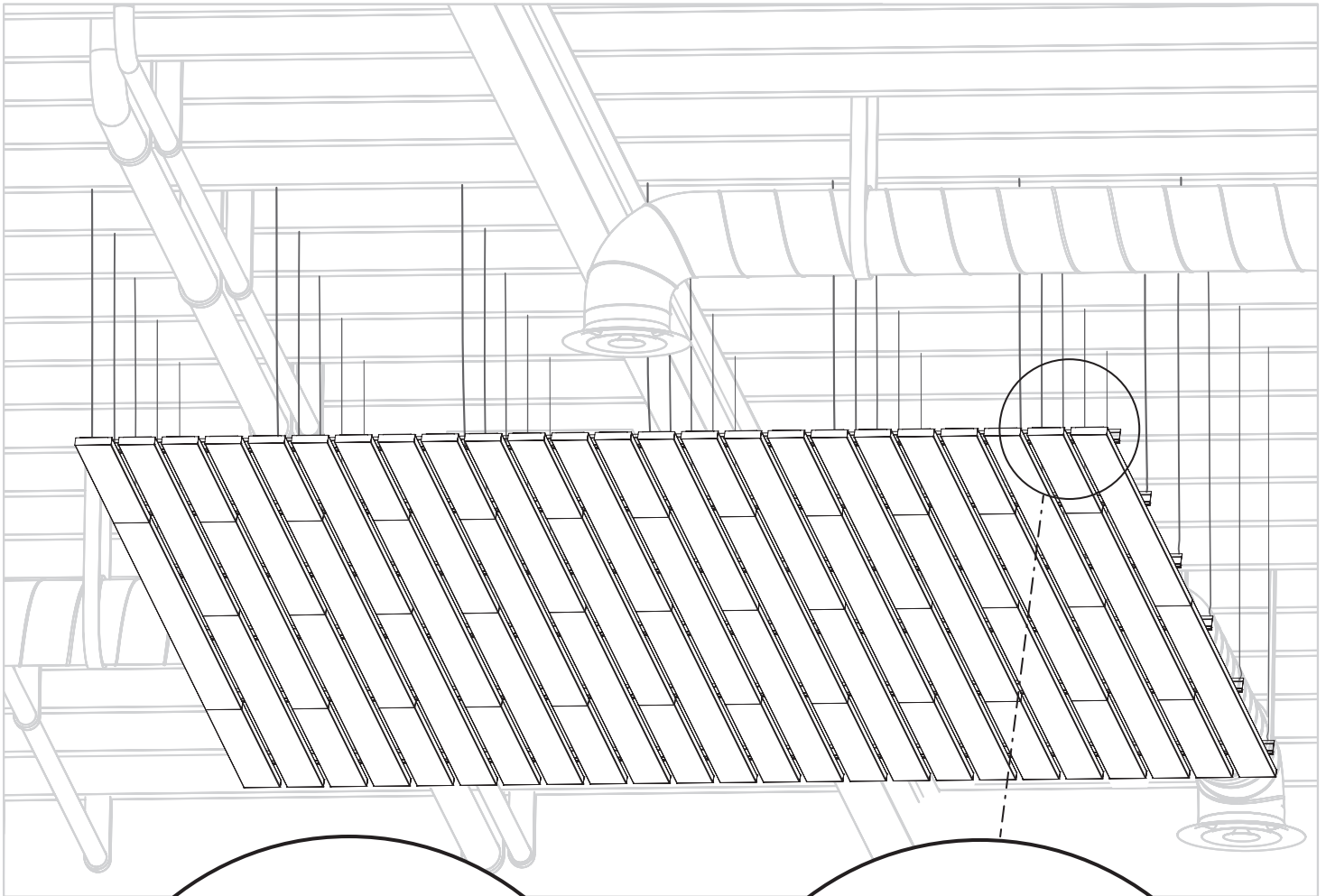
(B) Next, swing up the other side and snap onto Carriers.



Panels snap onto Carrier hooks.

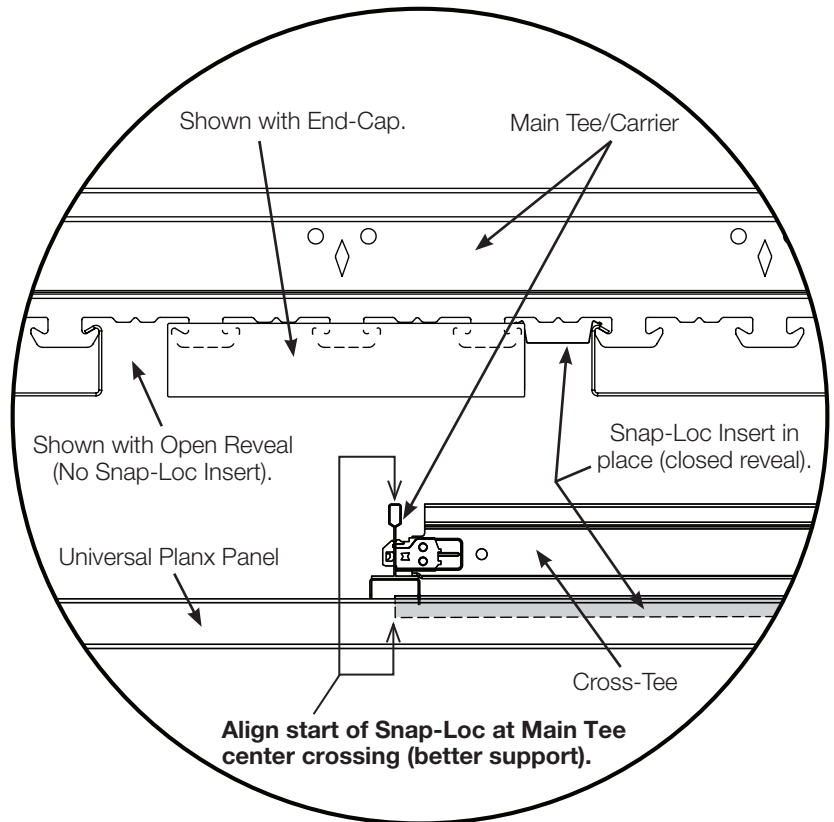
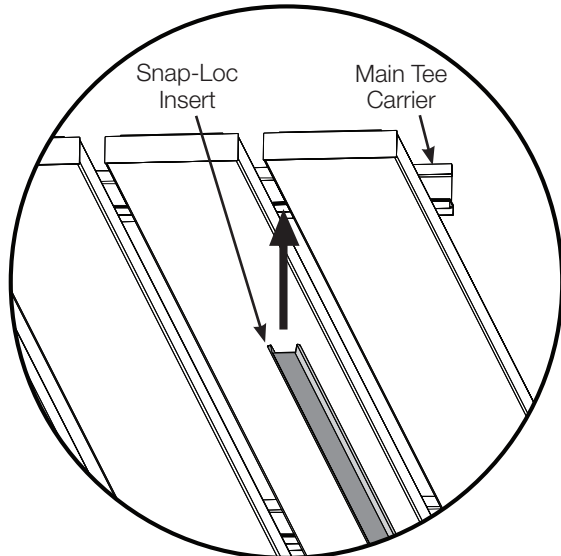
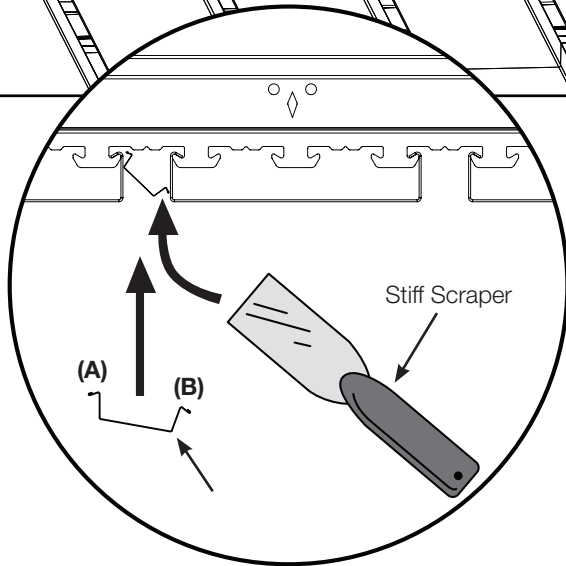
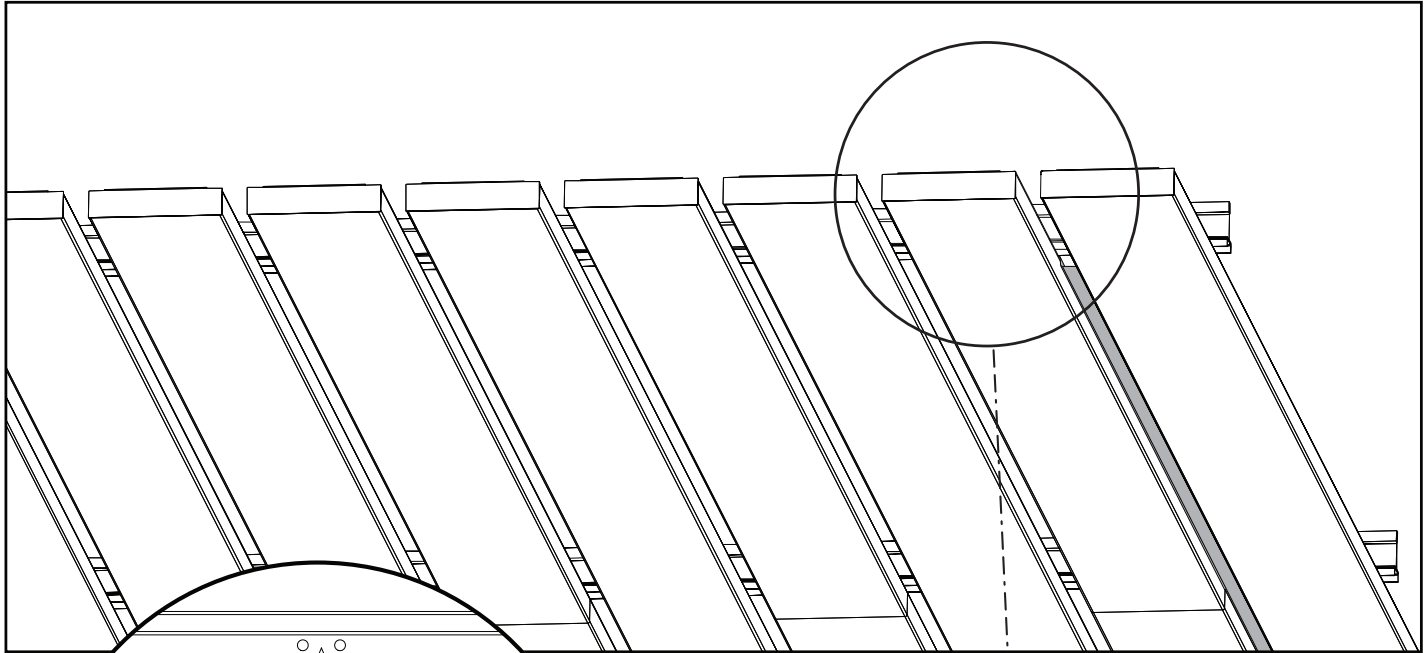
General Installation

Install End-Caps - OPTIONAL REVEAL System



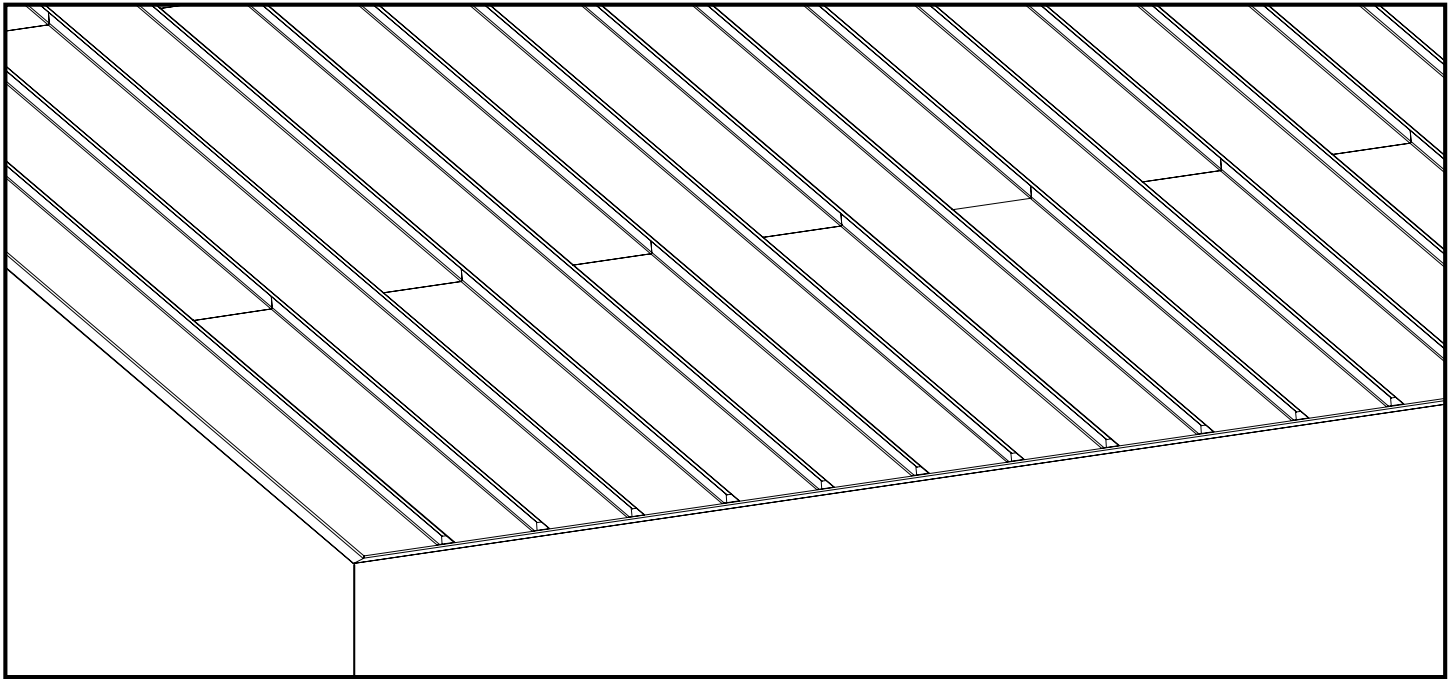
General Installation

Install Snap-Loc Insert - OPTIONAL REVEAL System

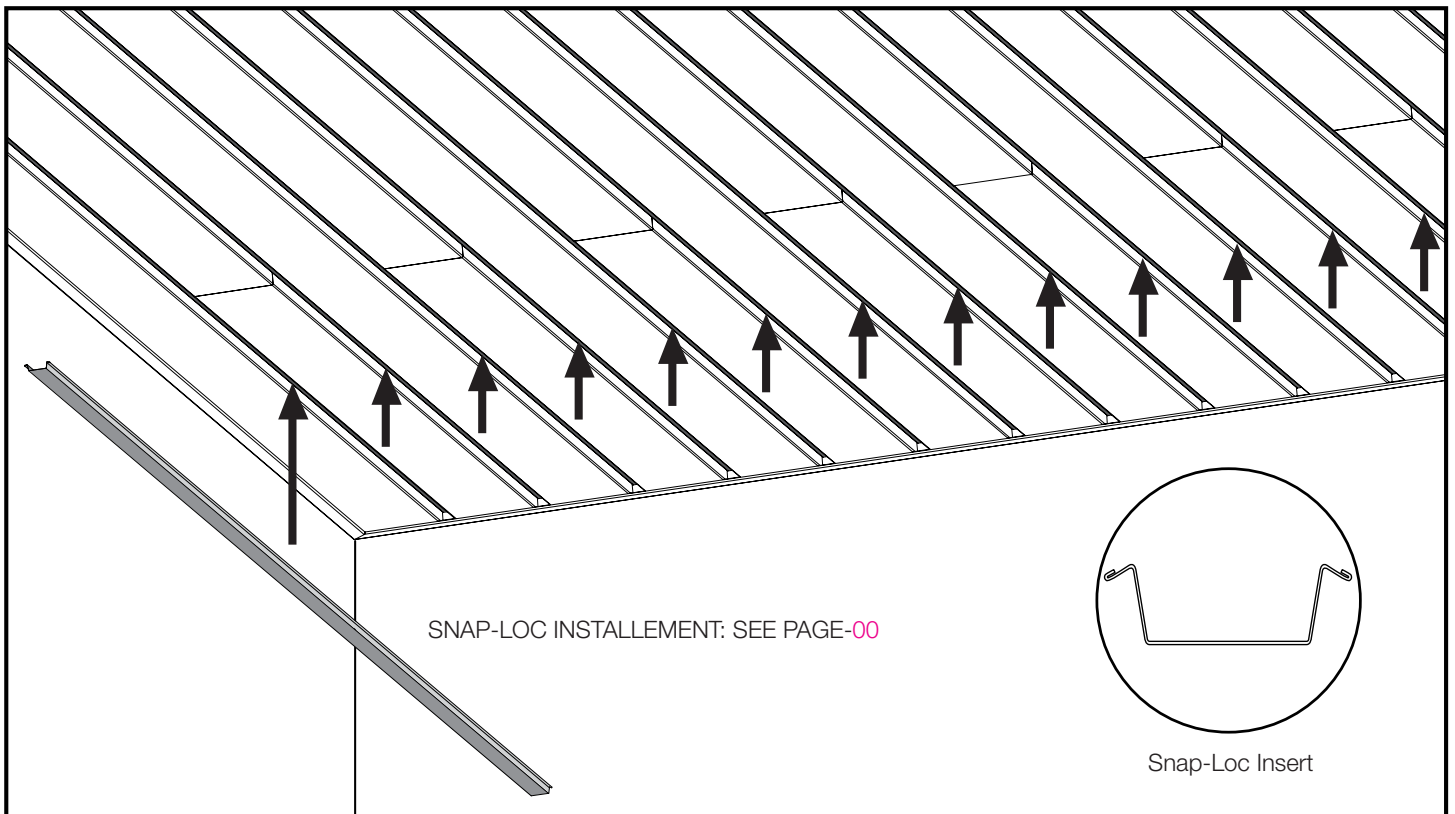


Post Treatment for Reveals

Install Snap-Loc Insert - OPTIONAL REVEAL System



FULLY INSTALLED OPEN-REVEAL SYSTEM

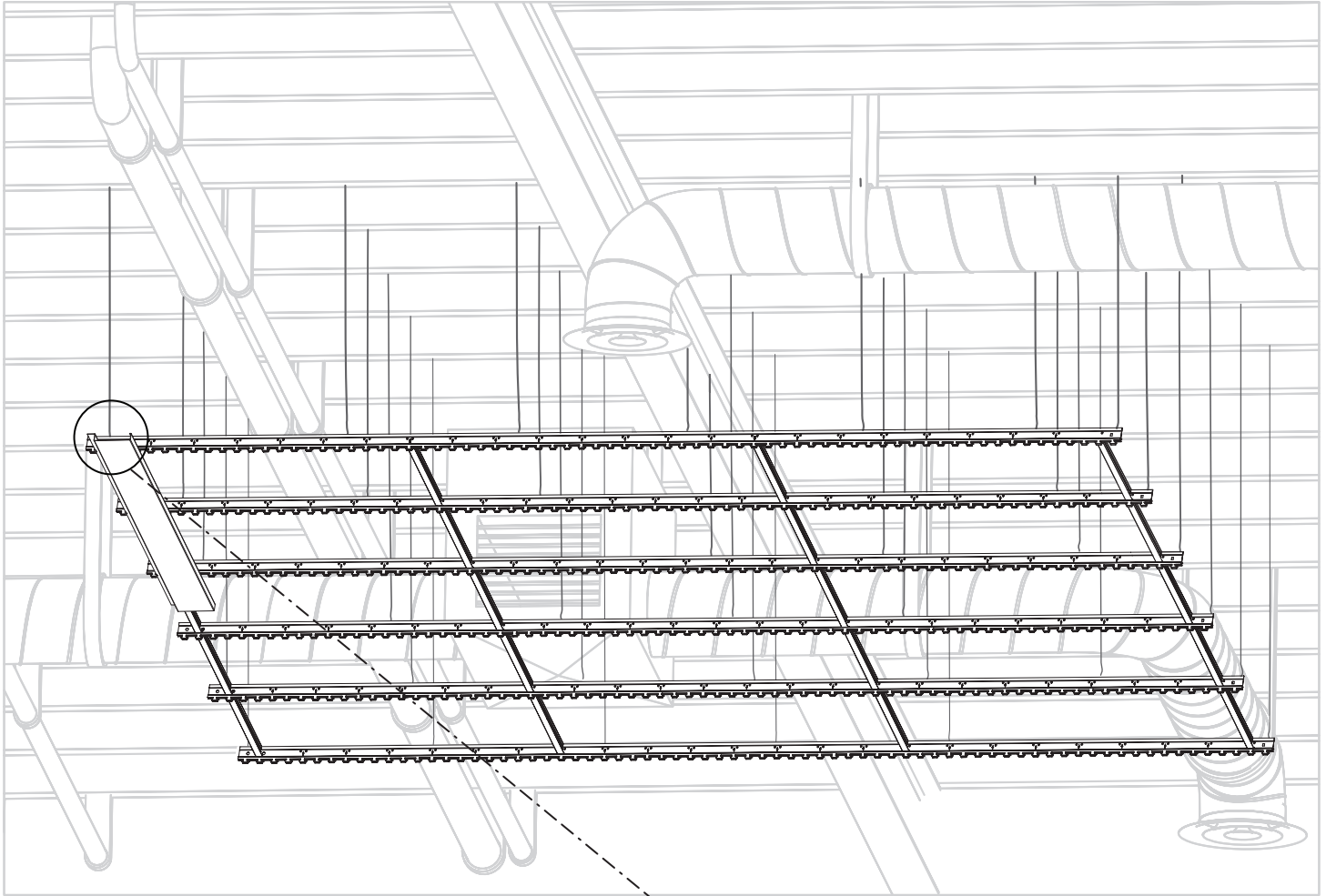


SNAP-LOC INSTALLMENT: SEE PAGE-00

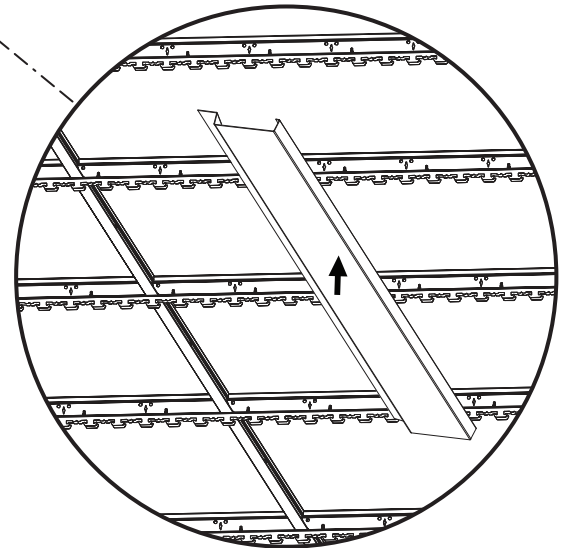
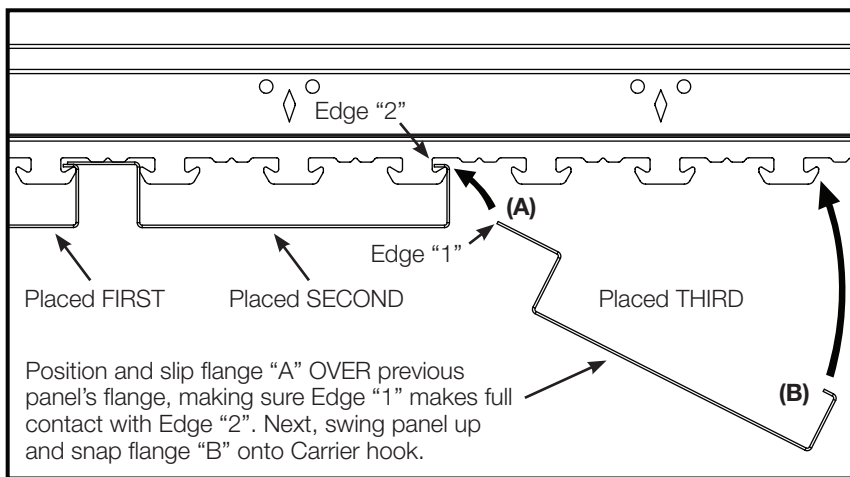
Snap-Loc Insert

General Installation

Install INTEGRAL REVEAL PANELS to Grid (Left-to-Right)

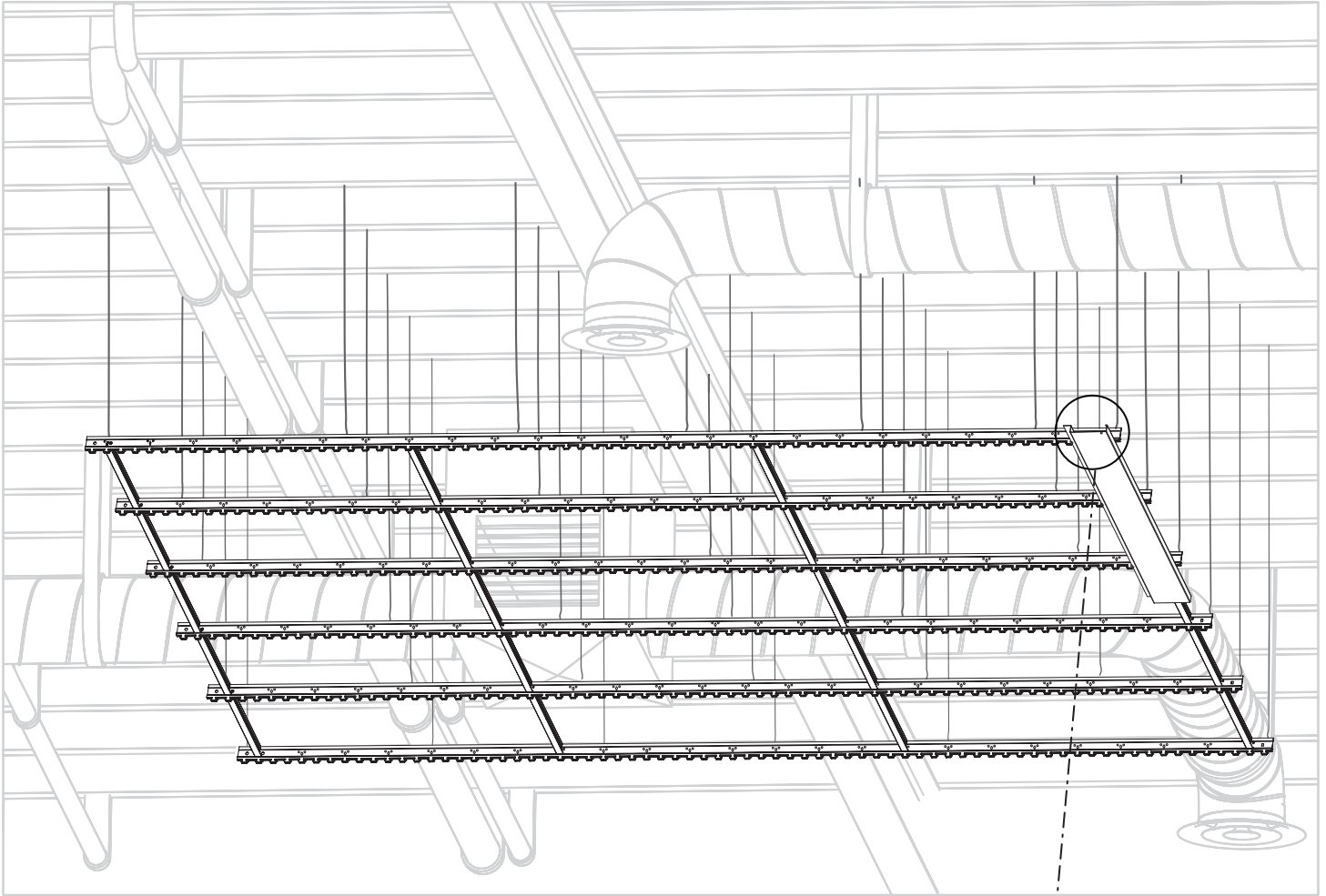


INSTALLATION ORDER SHOWN: **Left-to-Right**

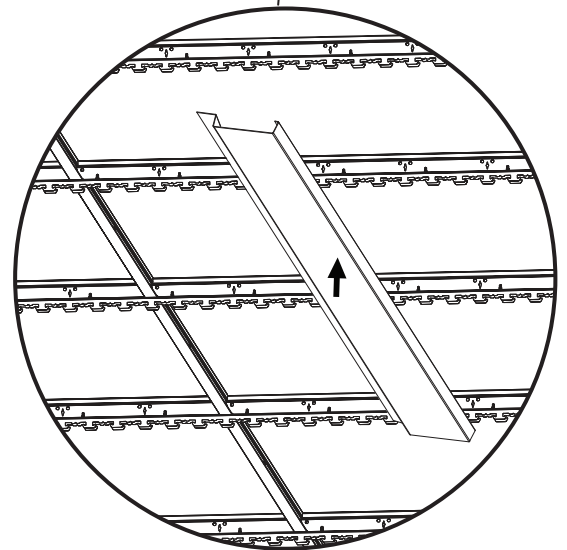
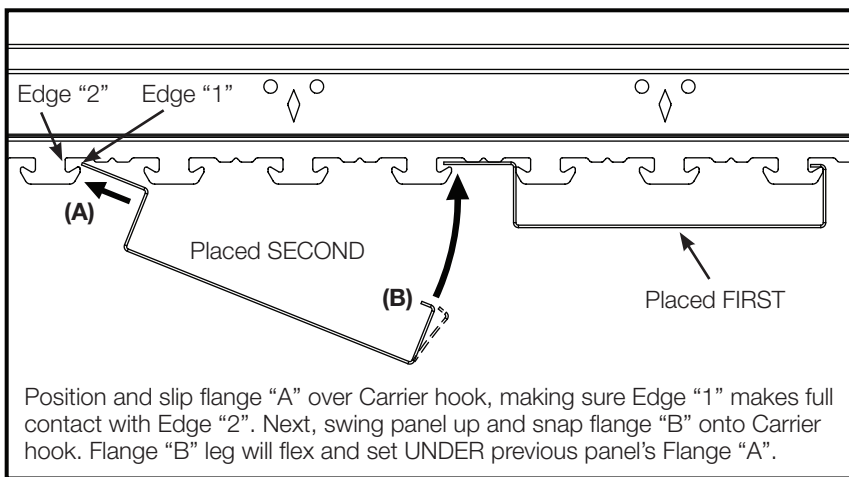


General Installation

Install INTEGRAL REVEAL PANELS to Grid (Right-to-Left)

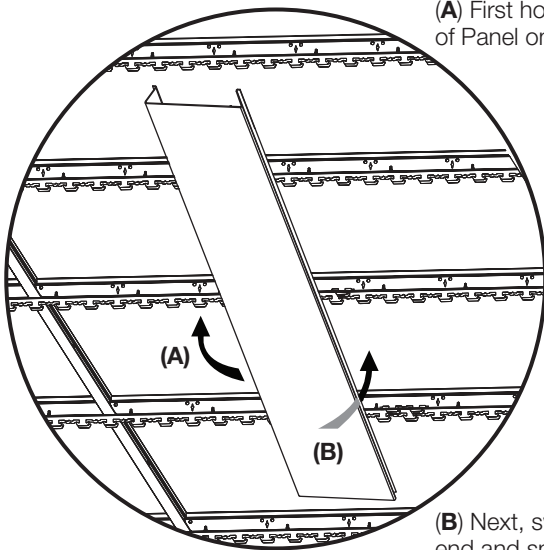
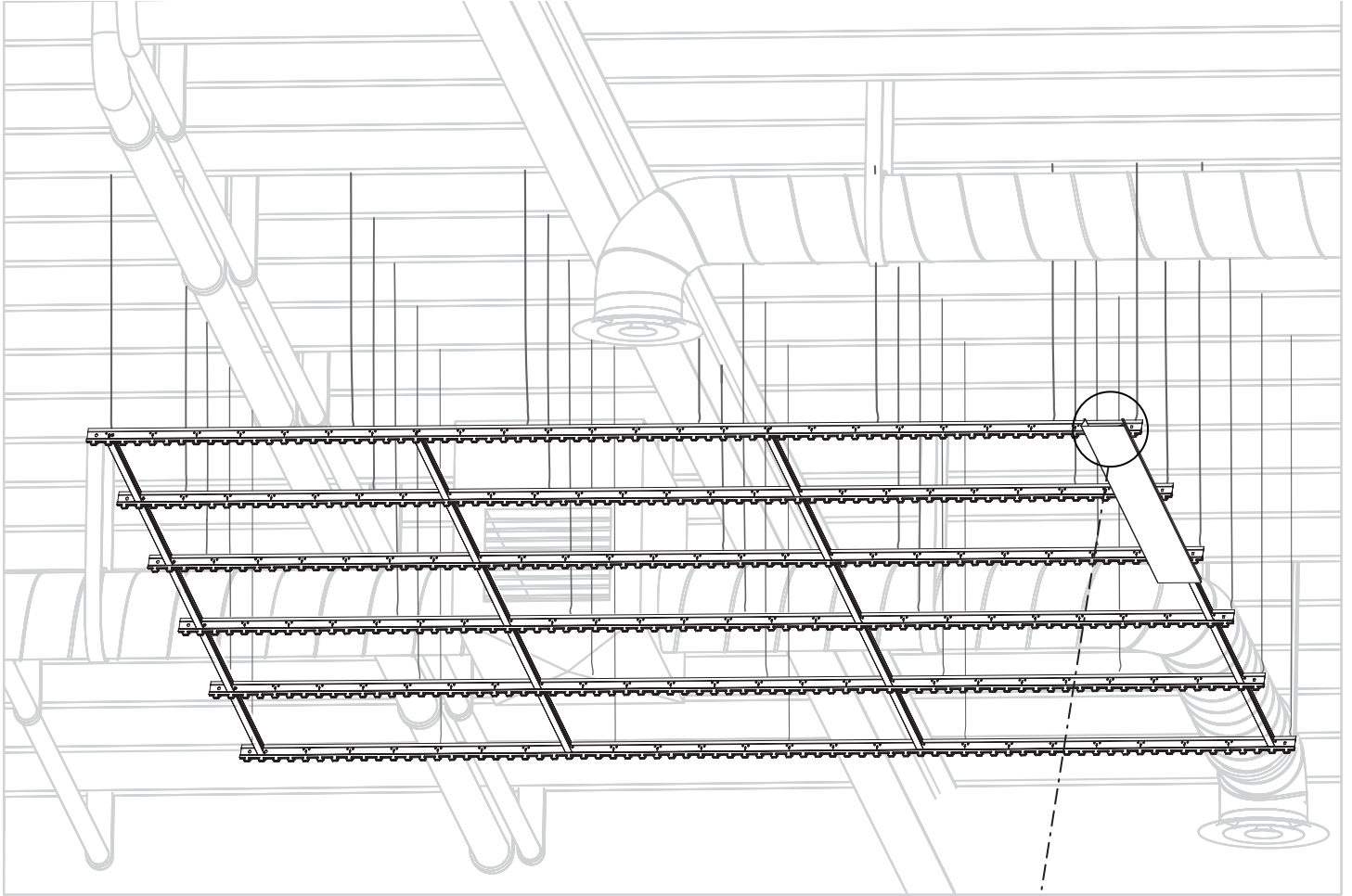


INSTALLATION ORDER SHOWN: **Right-to-Left**



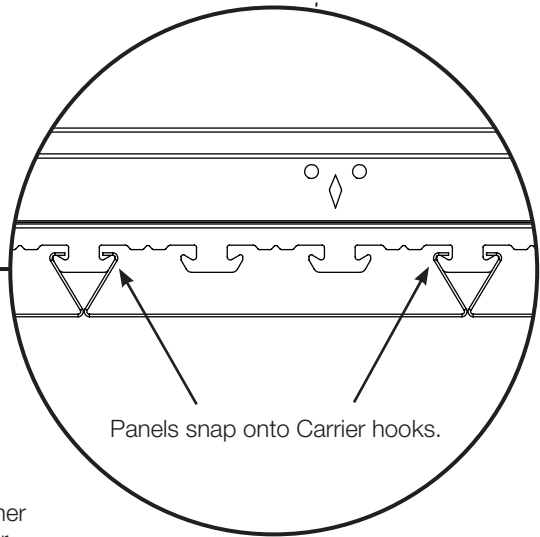
General Installation

Install NO-REVEAL PANELS to Grid



(A) First hook one end of Panel onto Carrier.

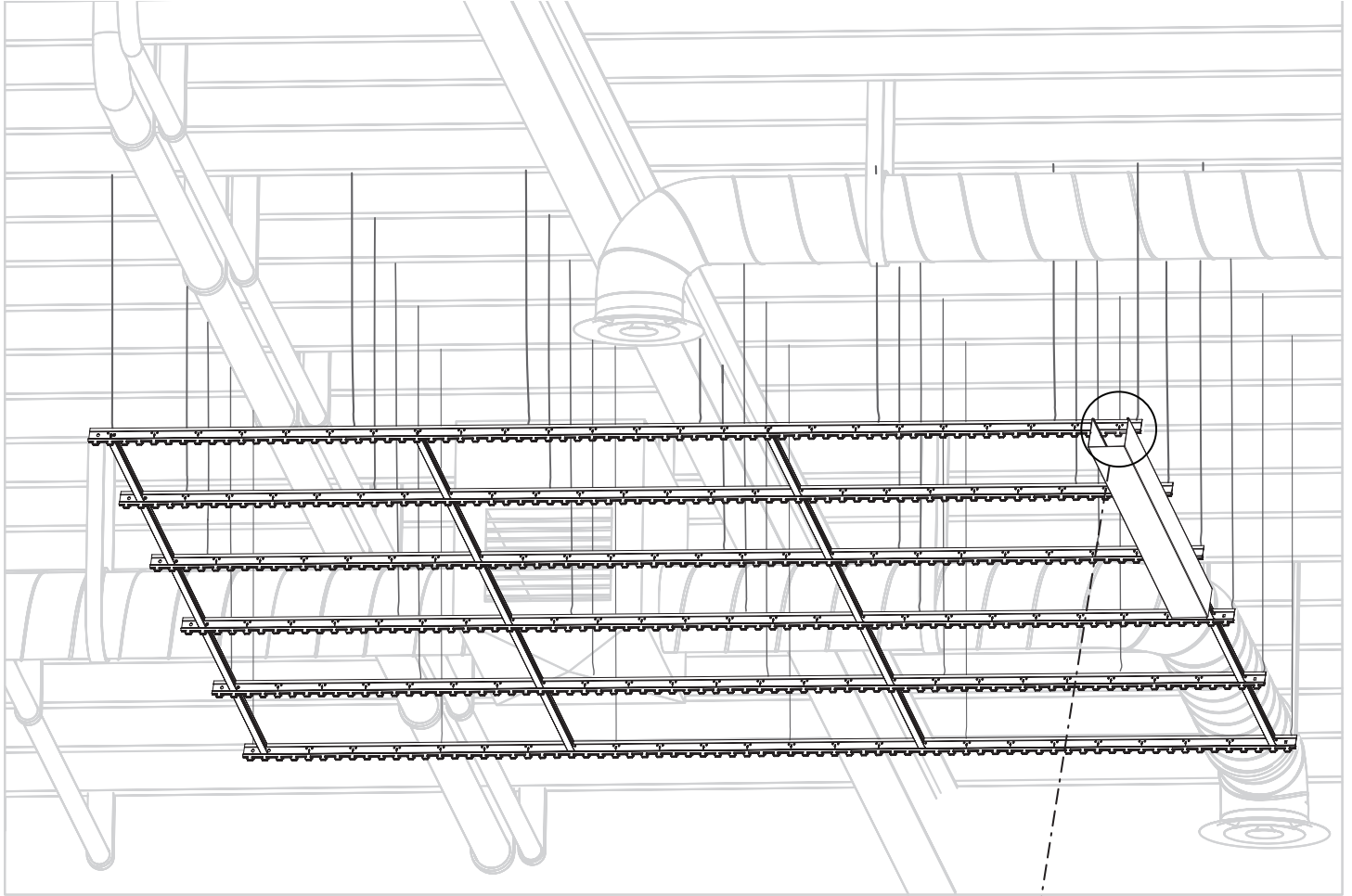
(B) Next, swing up the other end and snap onto Carrier.



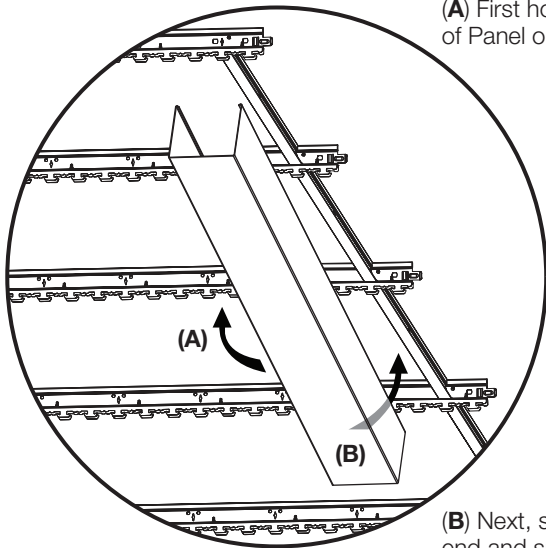
Panels snap onto Carrier hooks.

General Installation

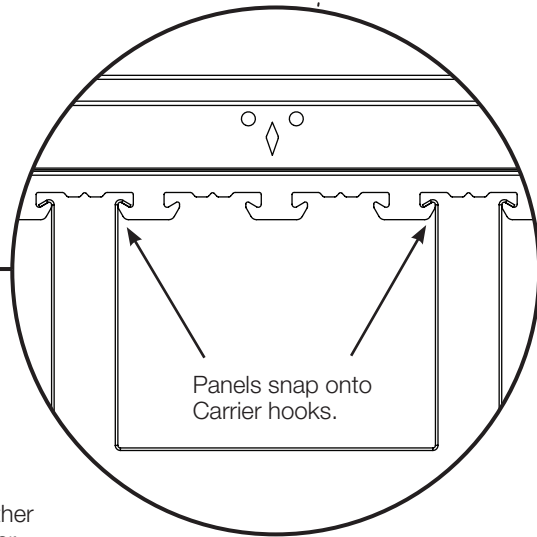
Install DEEP BOX PANELS to Grid



(A) First hook one end of Panel onto Carrier.

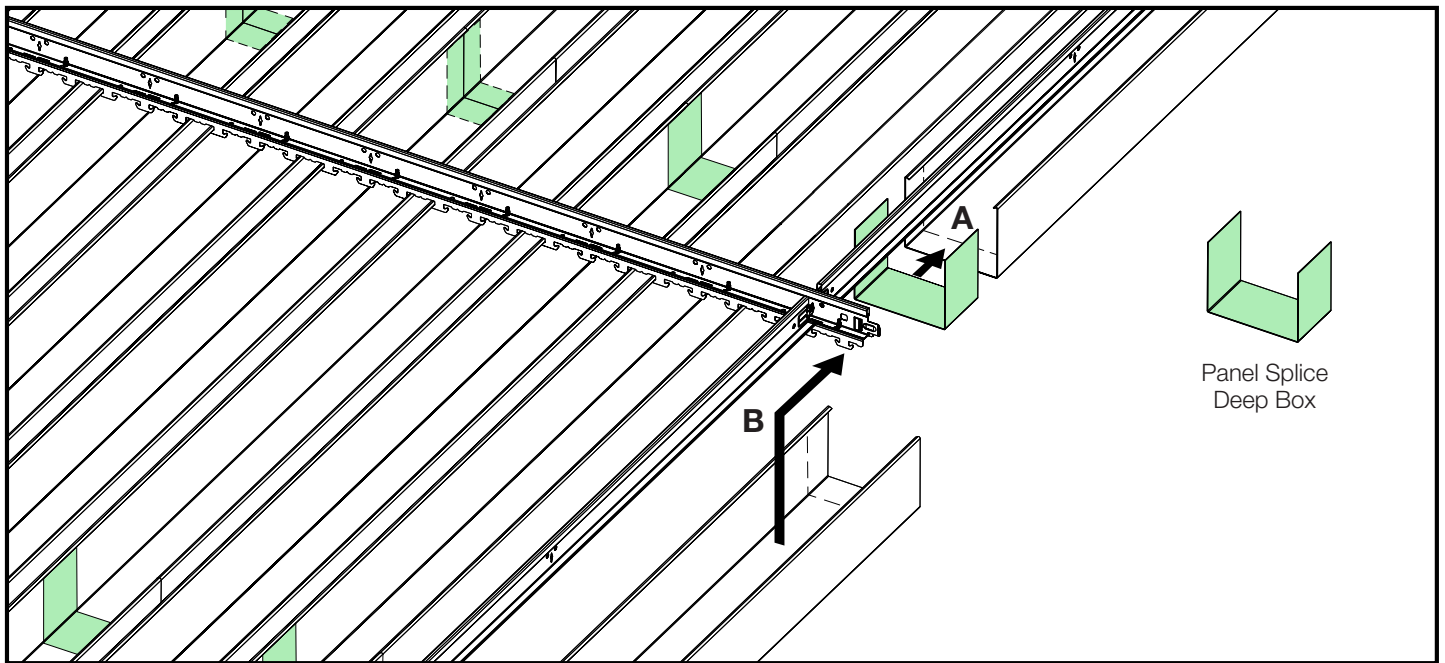


(B) Next, swing up the other end and snap onto Carrier.

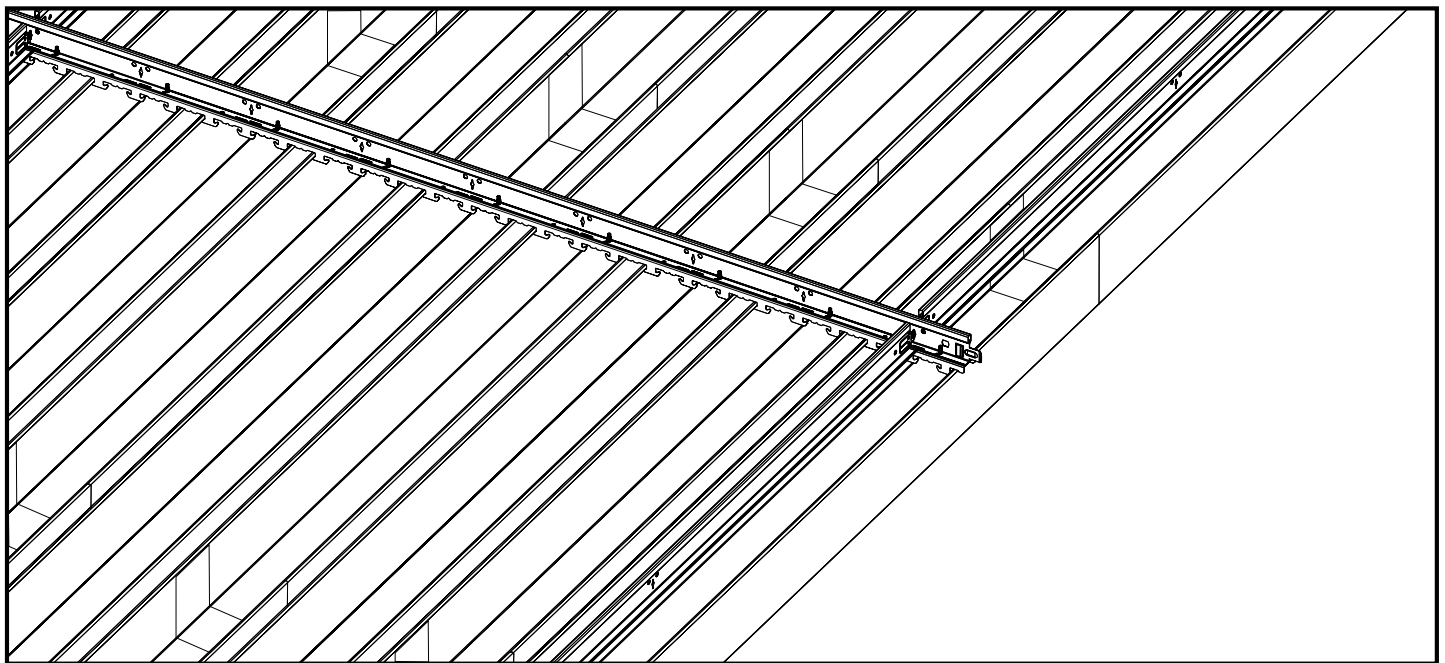


General Installation

Splice Integration for DEEP BOX Panels



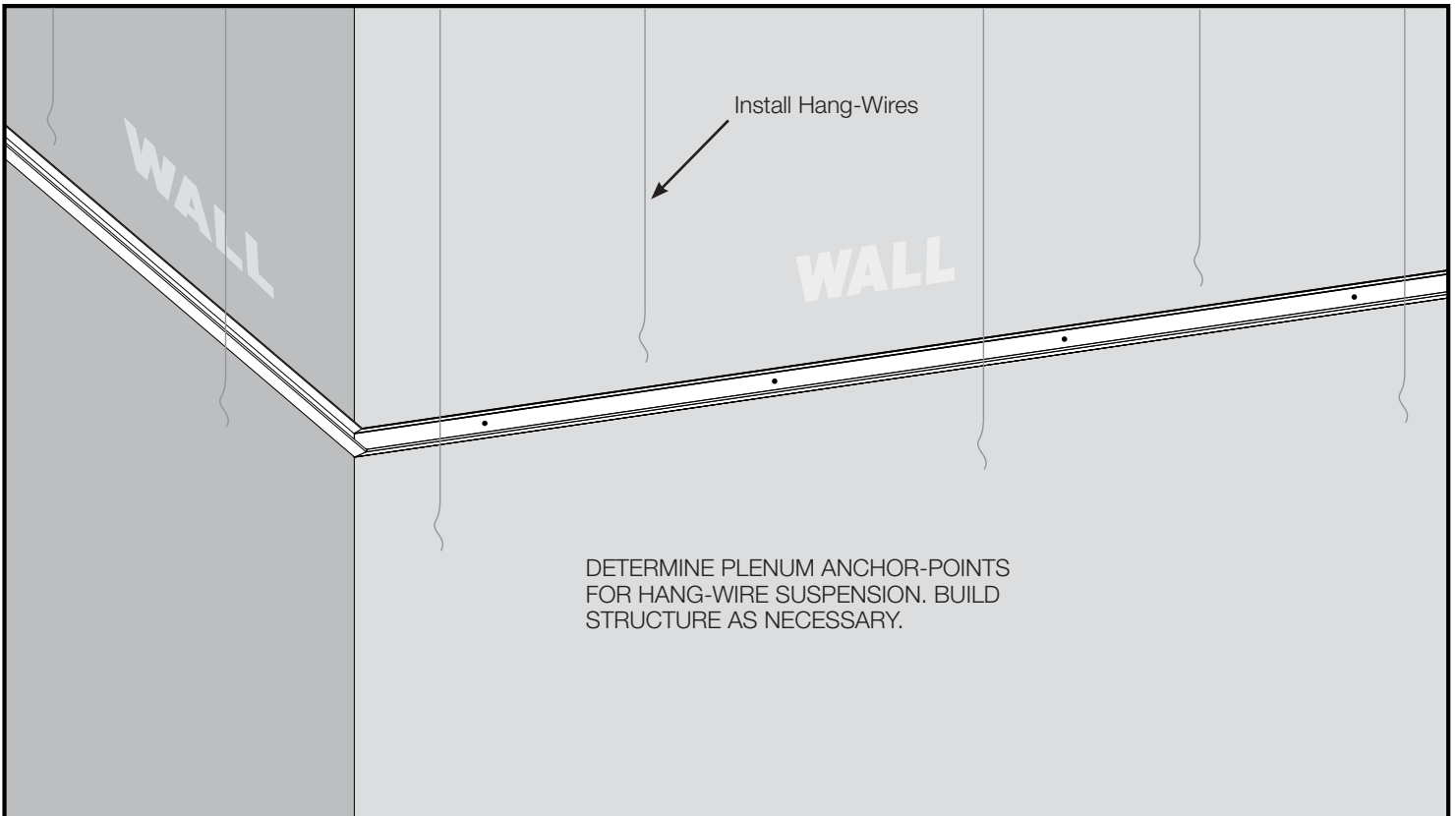
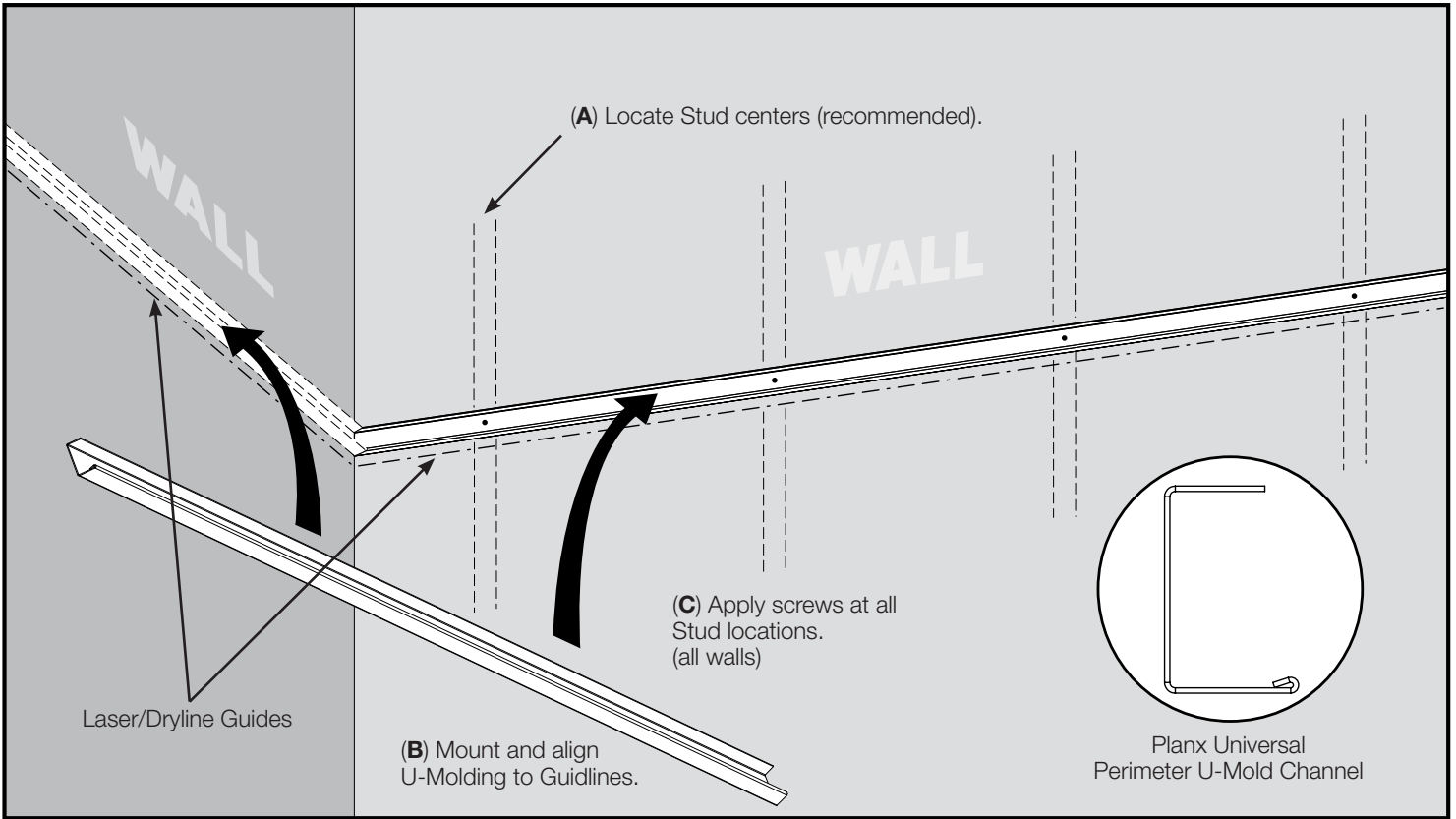
- (A) Slide Splicer into mounted panel. Splice must be centered with panel's edge.
- (B) Install serial Panel and then slide onto Splice, flush to existing panel.



DEEP BOX SPLICES INSTALLED AT EVERY PANEL JOINT

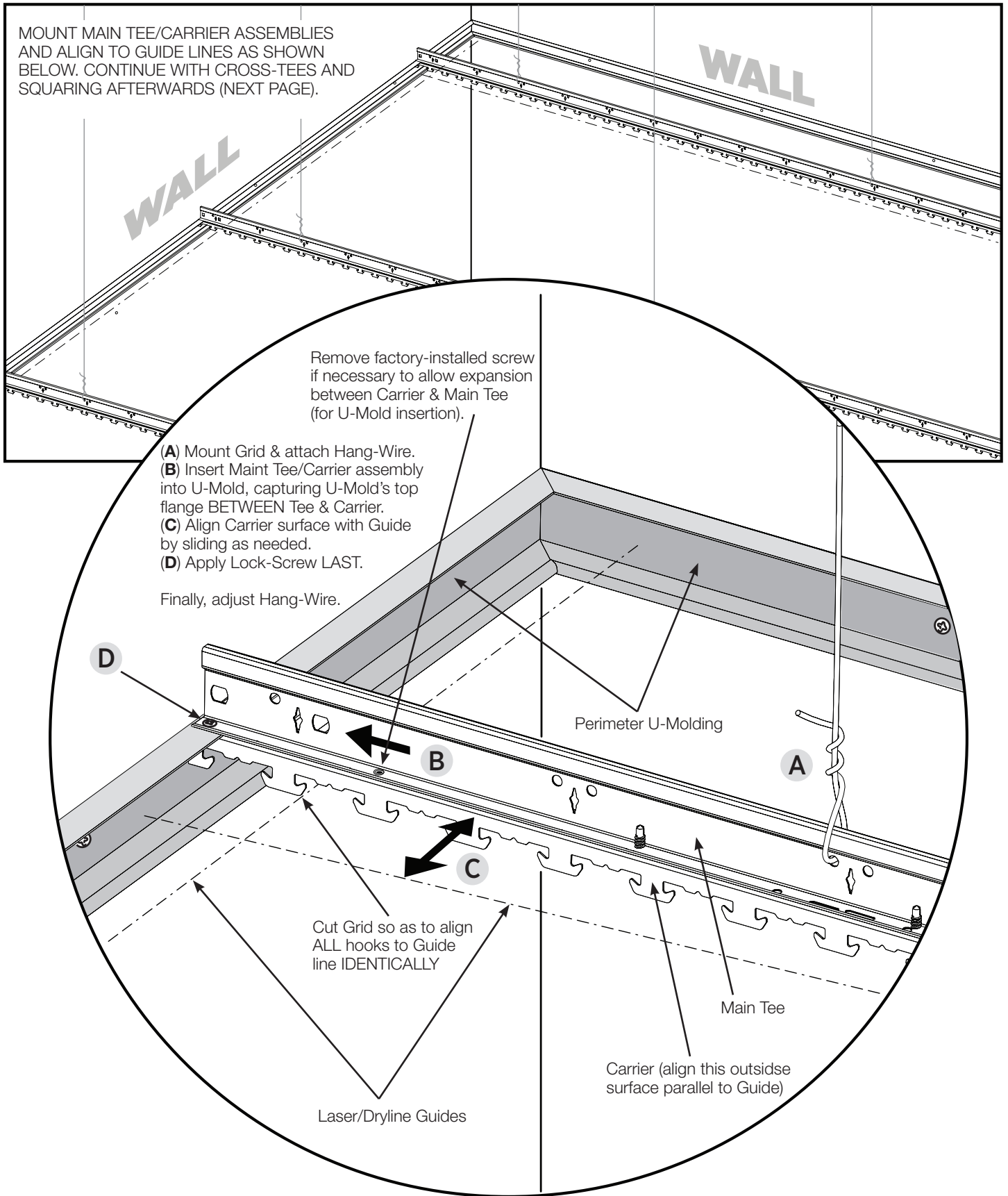
Wall-to-Wall Installation

Install U-Mold Channels to Walls



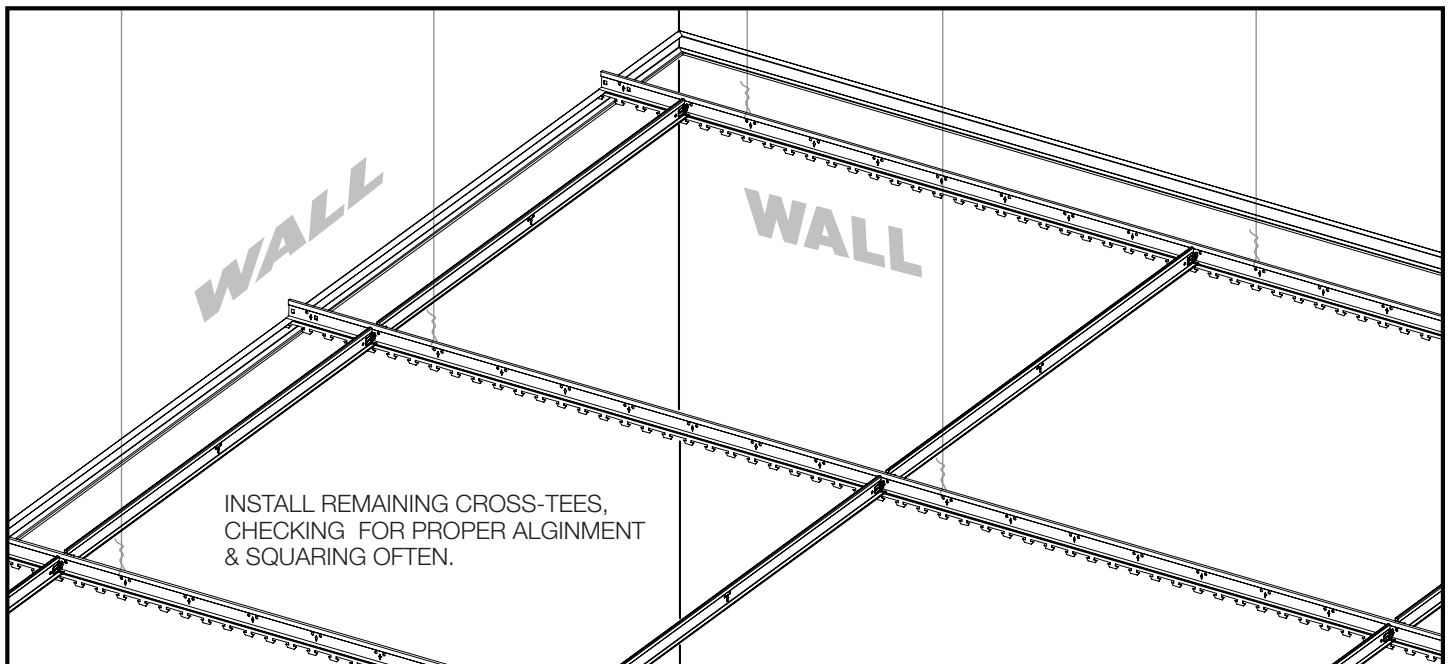
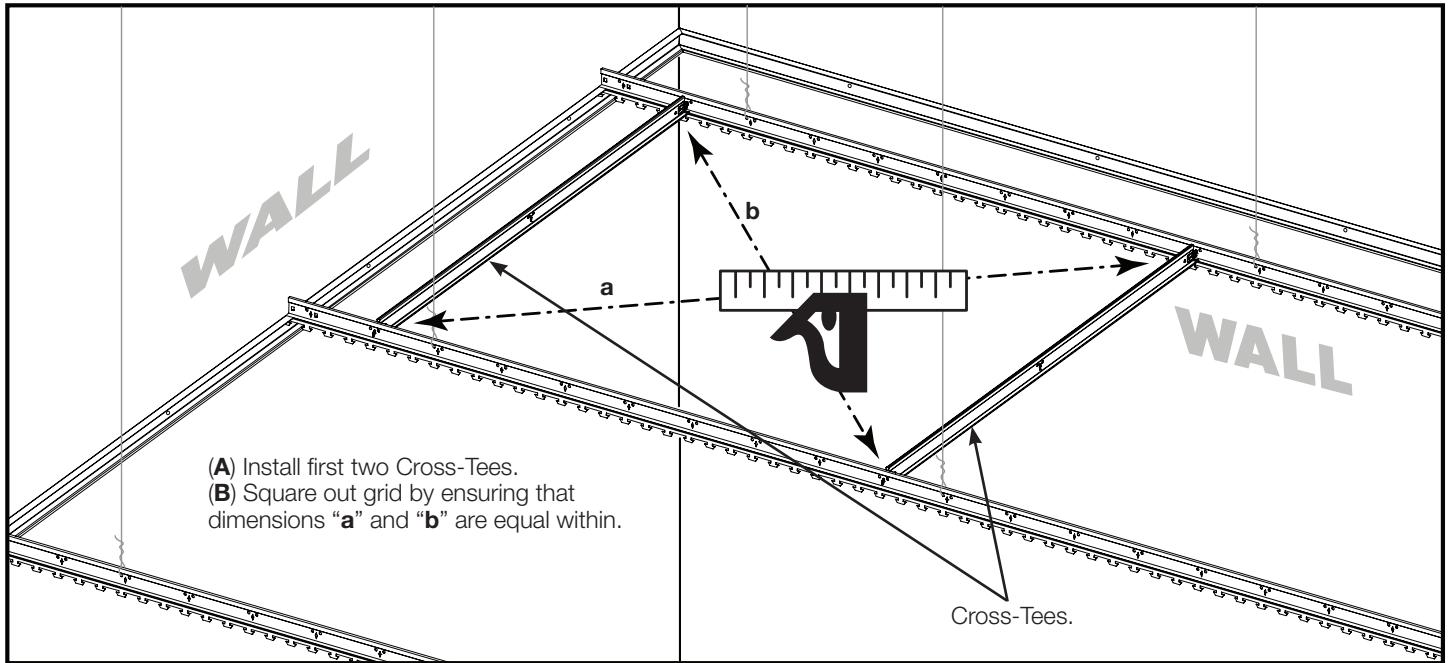
Wall-to-Wall Installation

Install & Align Main Carriers



Wall-to-Wall Installation

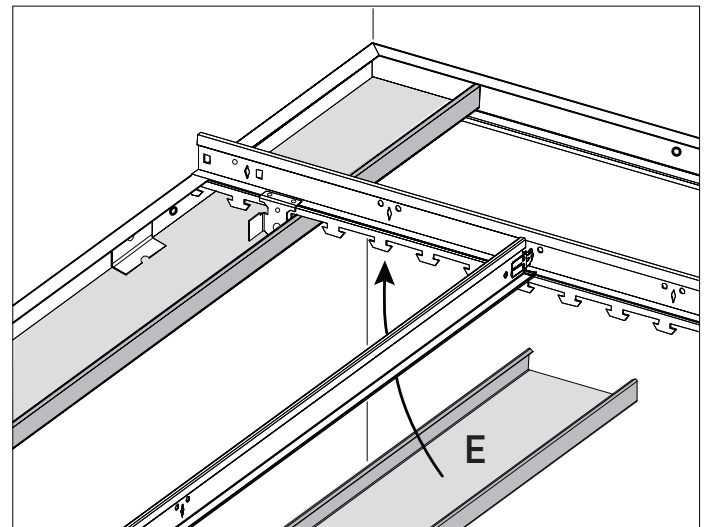
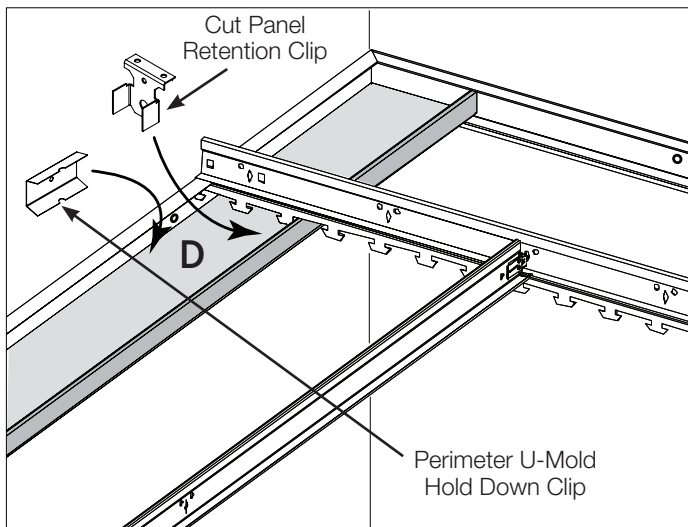
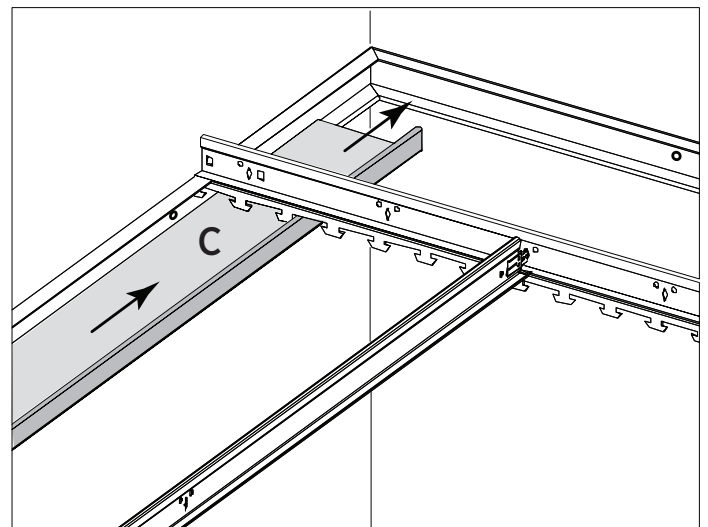
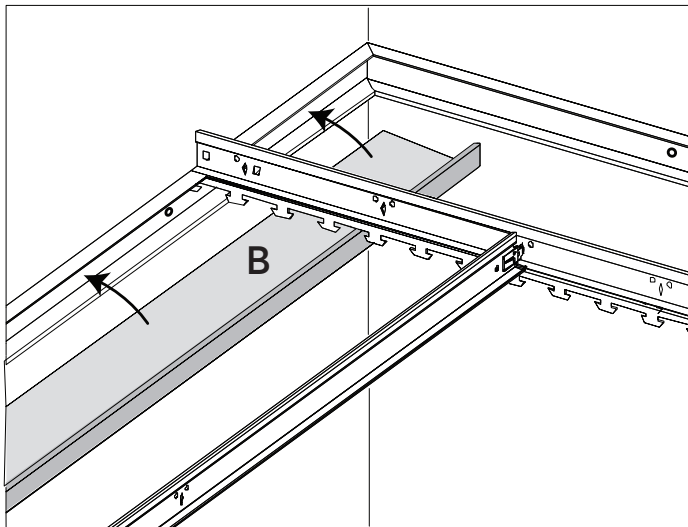
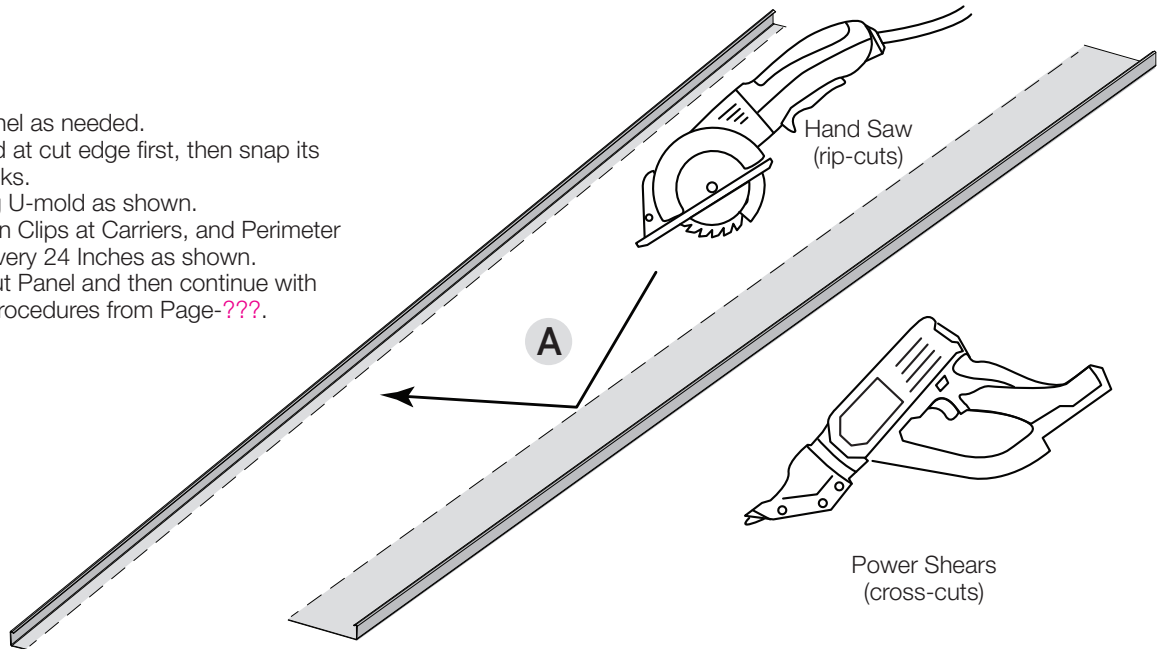
Install Cross-Tees & Square Grid



Wall-to-Wall Installation

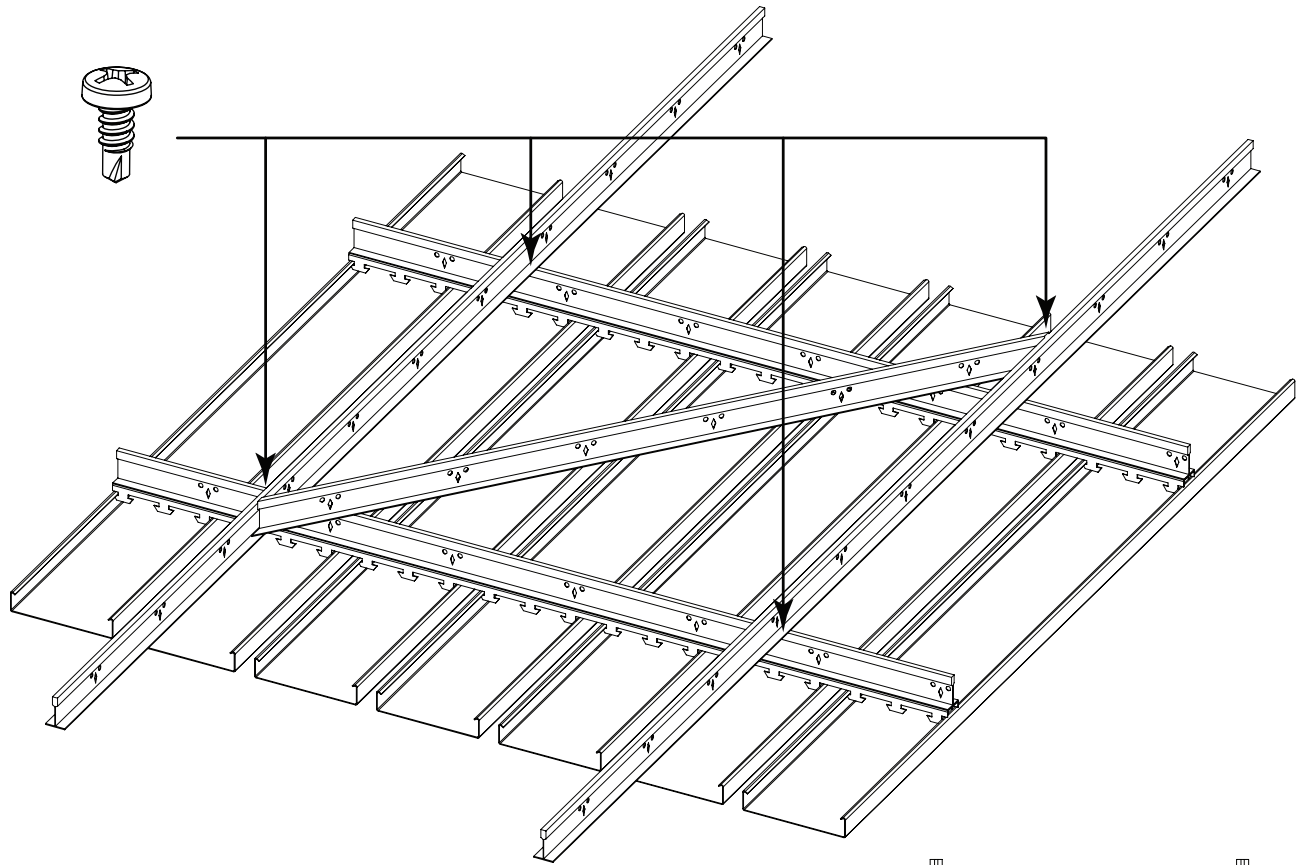
Field-Cut & Install Perimeter Panels

- (A) Measure and cut/trim Panel as needed.
- (B) Mount Panel onto U-Mold at cut edge first, then snap its flanged end onto Carrier hooks.
- (C) Slide Panel into opposing U-mold as shown.
- (D) Install Cut Panel Retention Clips at Carriers, and Perimeter U-Mold Hold Down Clip at every 24 Inches as shown.
- (E) Proceed with next non-cut Panel and then continue with remaining Panels following procedures from Page-???

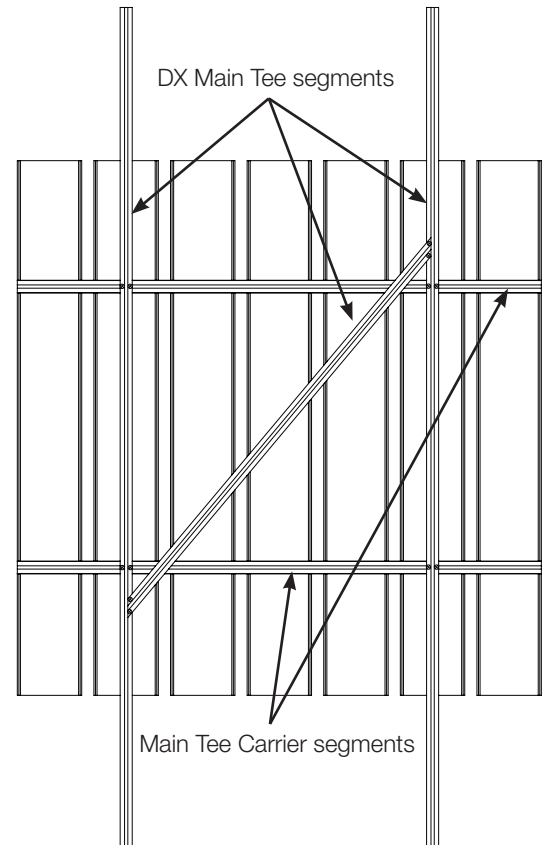
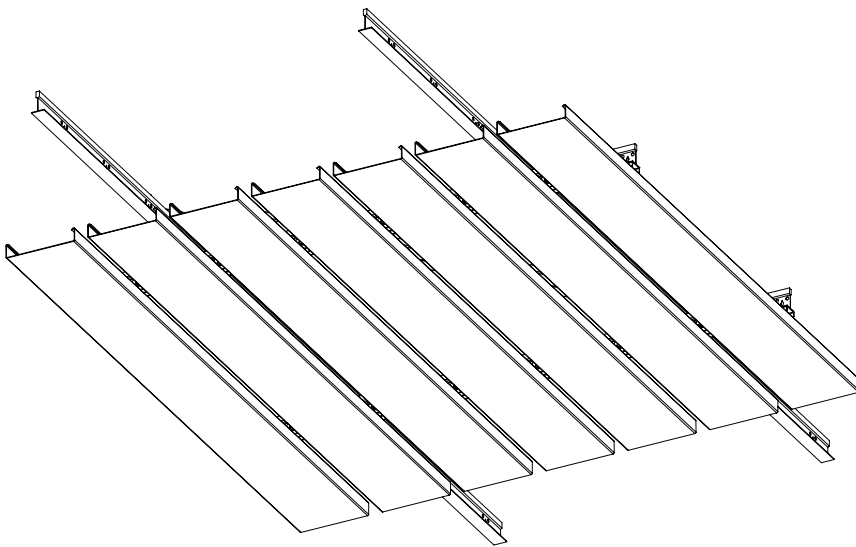


Plenum Access

Access Door Construction - Field Work

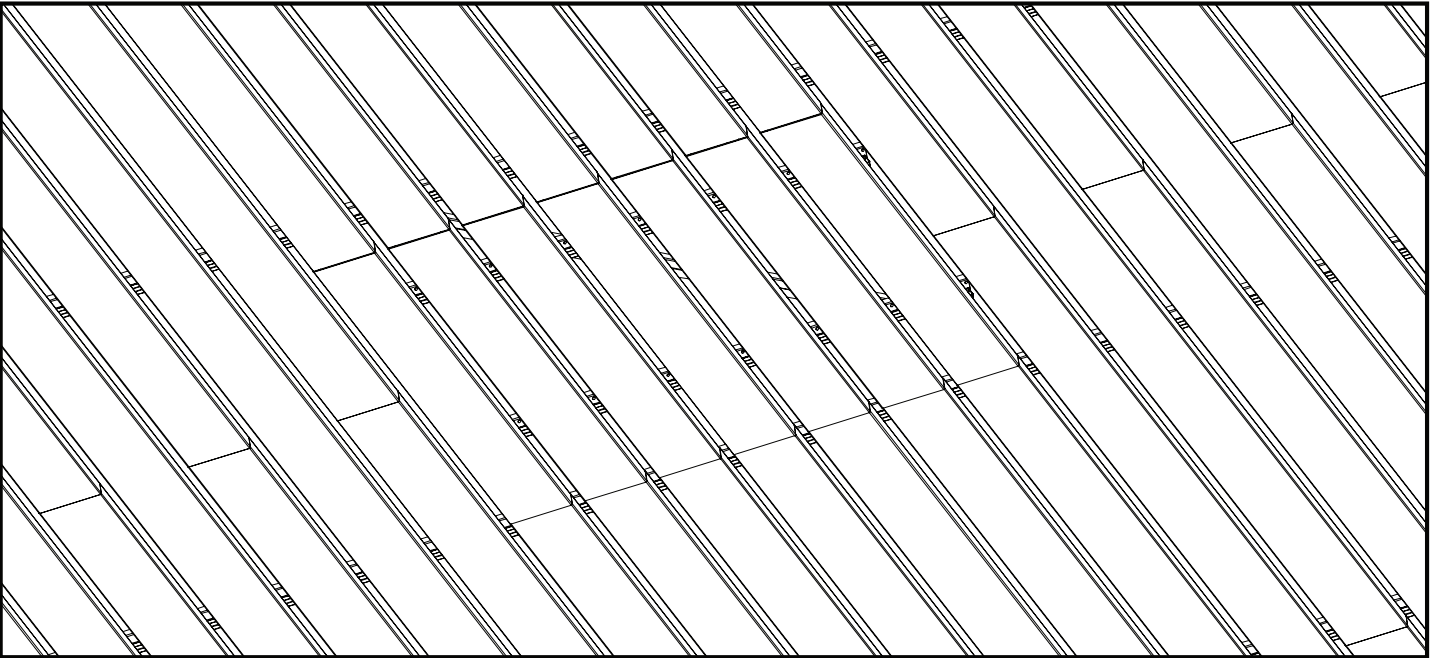
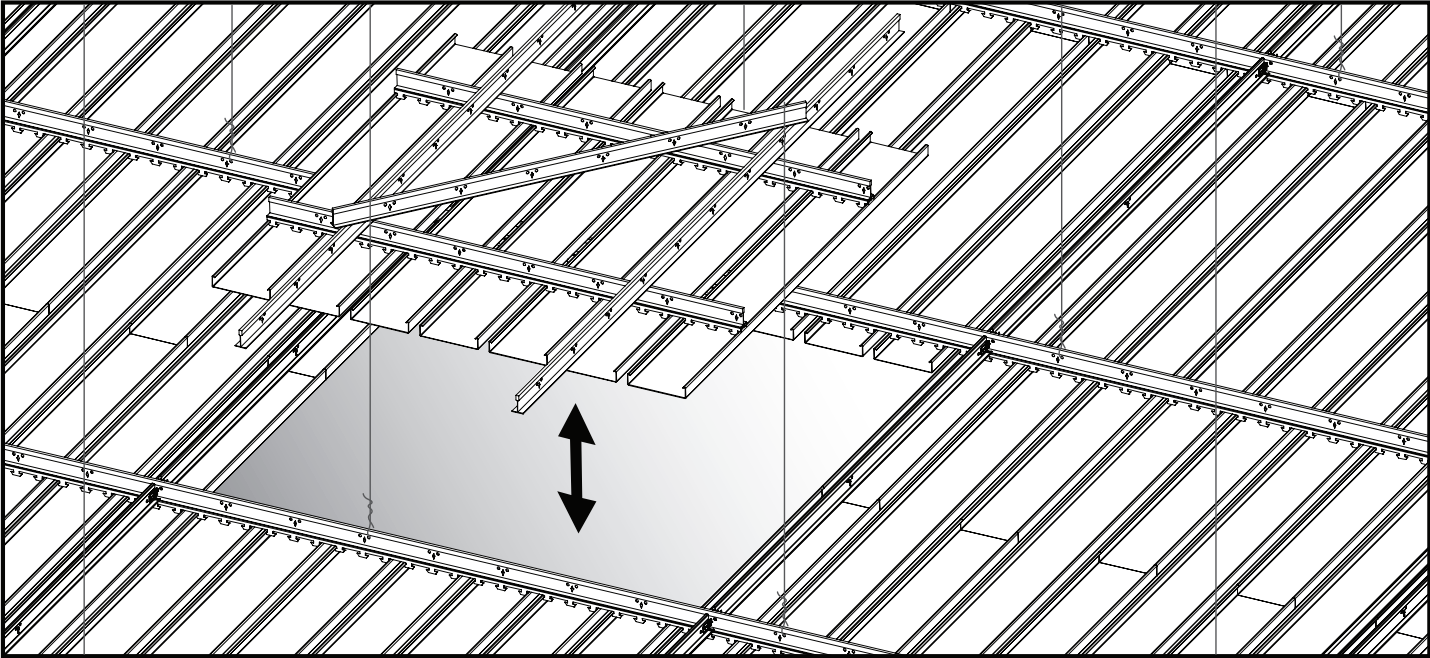


SUGGESTED ACCESS DOOR CONSTRUCTION METHOD



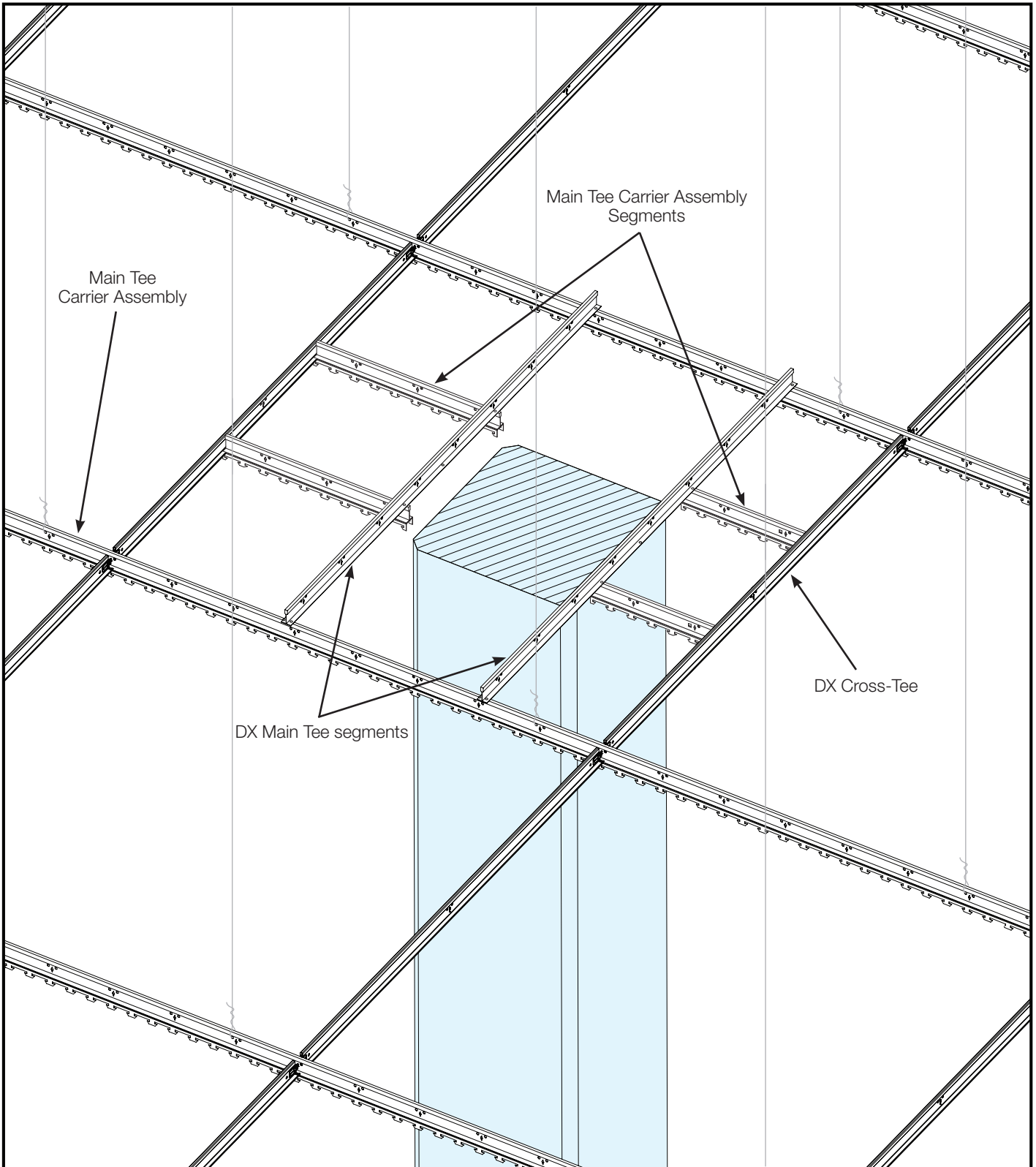
Plenum Access

Access Portal - Field Work



Perimeter Conditions

Grid Field-Cutting for Column Integration



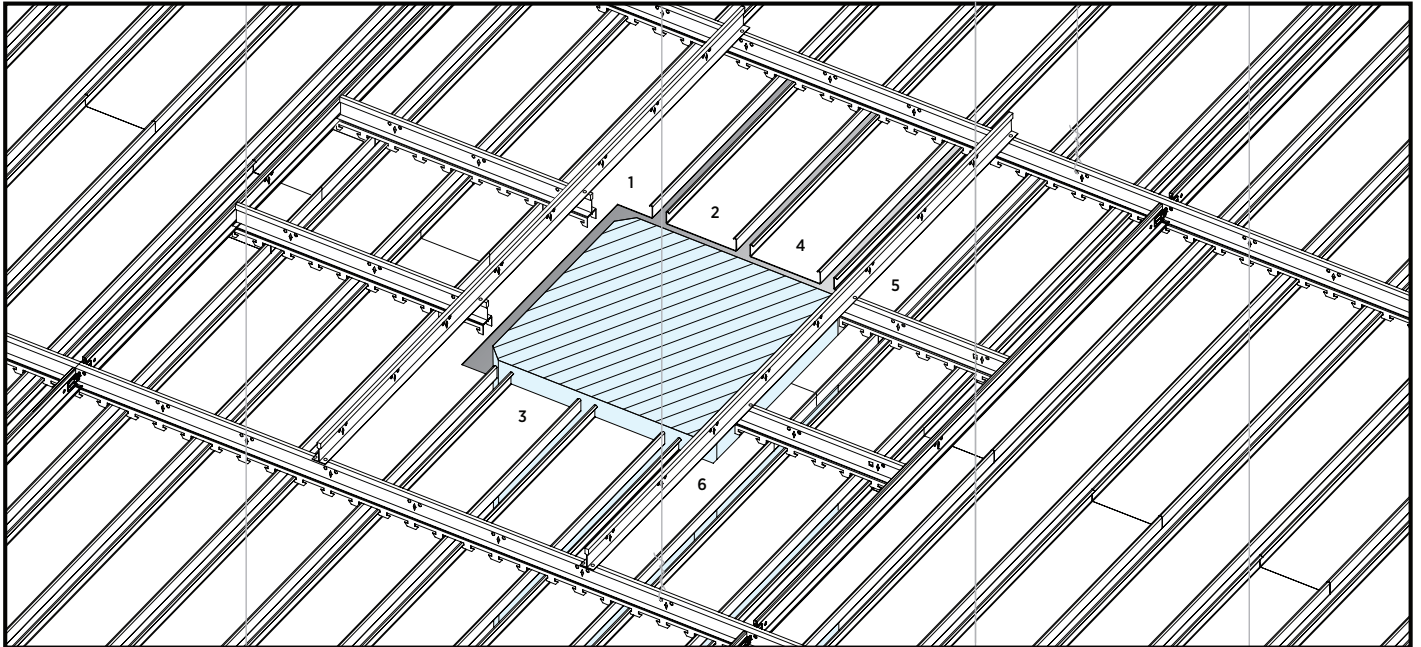
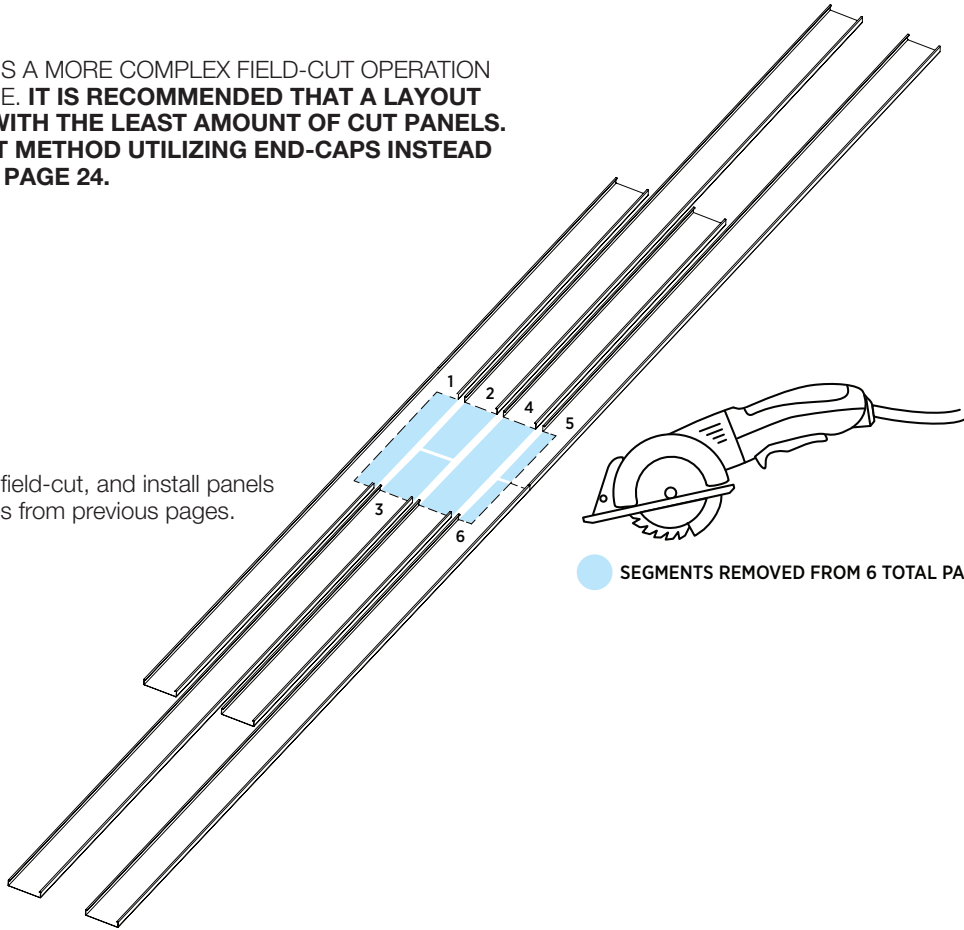
SUGGESTED CONSTRUCTION METHOD FOR PILLAR CLEARANCE

Perimeter Conditions

Panel Field-Cutting for Column Integration

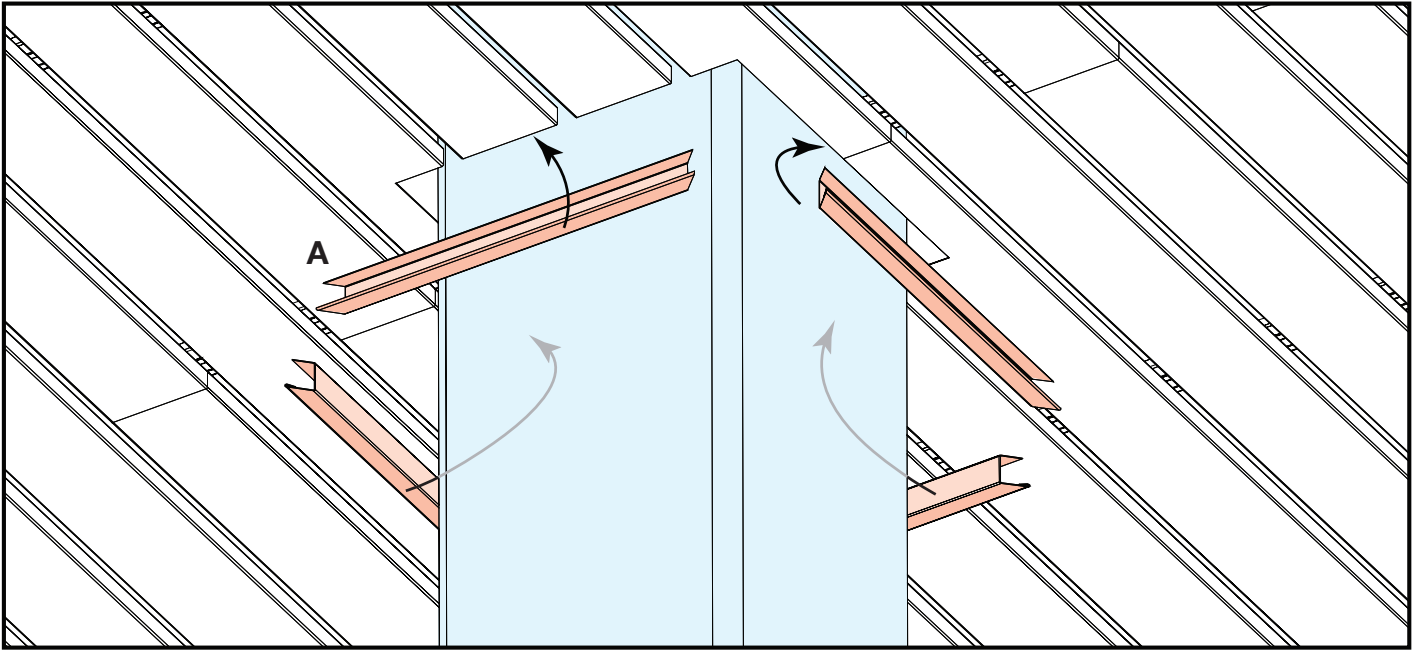
SHOWN HERE, IS A MORE COMPLEX FIELD-CUT OPERATION FOR REFERENCE. **IT IS RECOMMENDED THAT A LAYOUT IS DESIGNED WITH THE LEAST AMOUNT OF CUT PANELS.** SEE FIELD-CUT METHOD UTILIZING END-CAPS INSTEAD OF U-MOLD IN PAGE 24.

Measure, mark, field-cut, and install panels using procedures from previous pages.

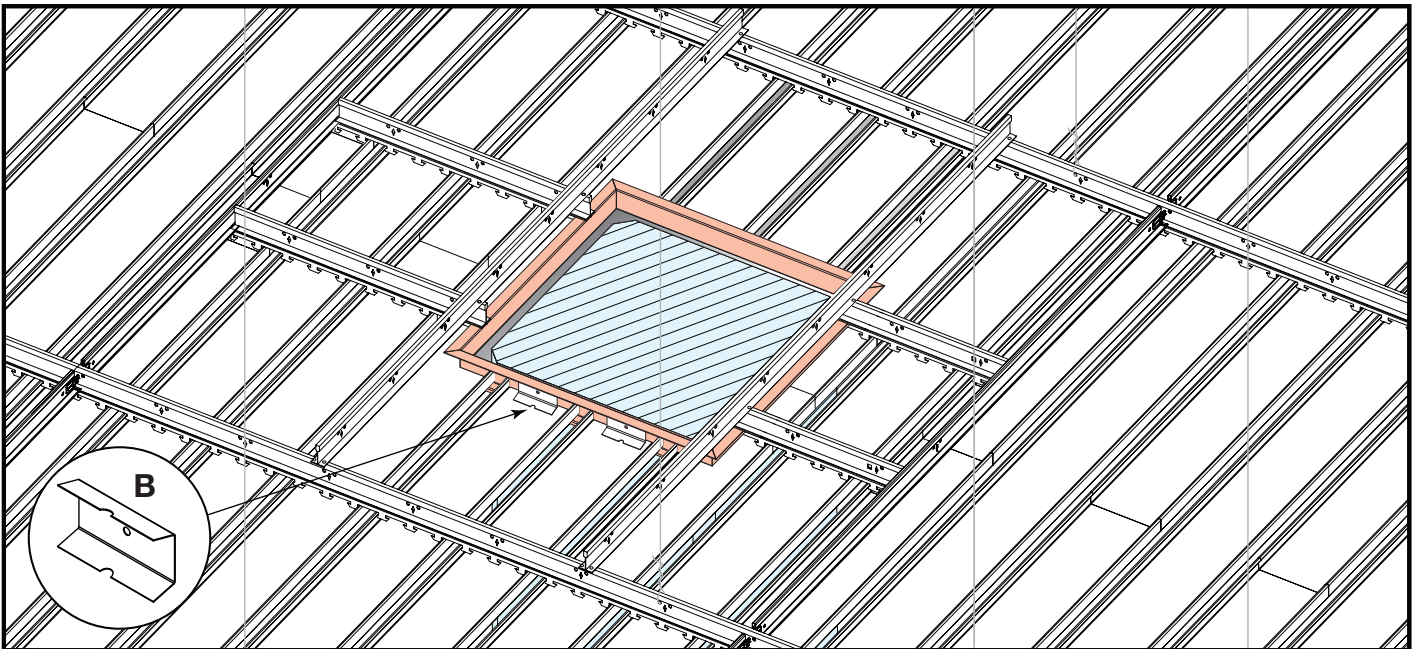


Perimeter Conditions

U-Molding Installment for Column Integration



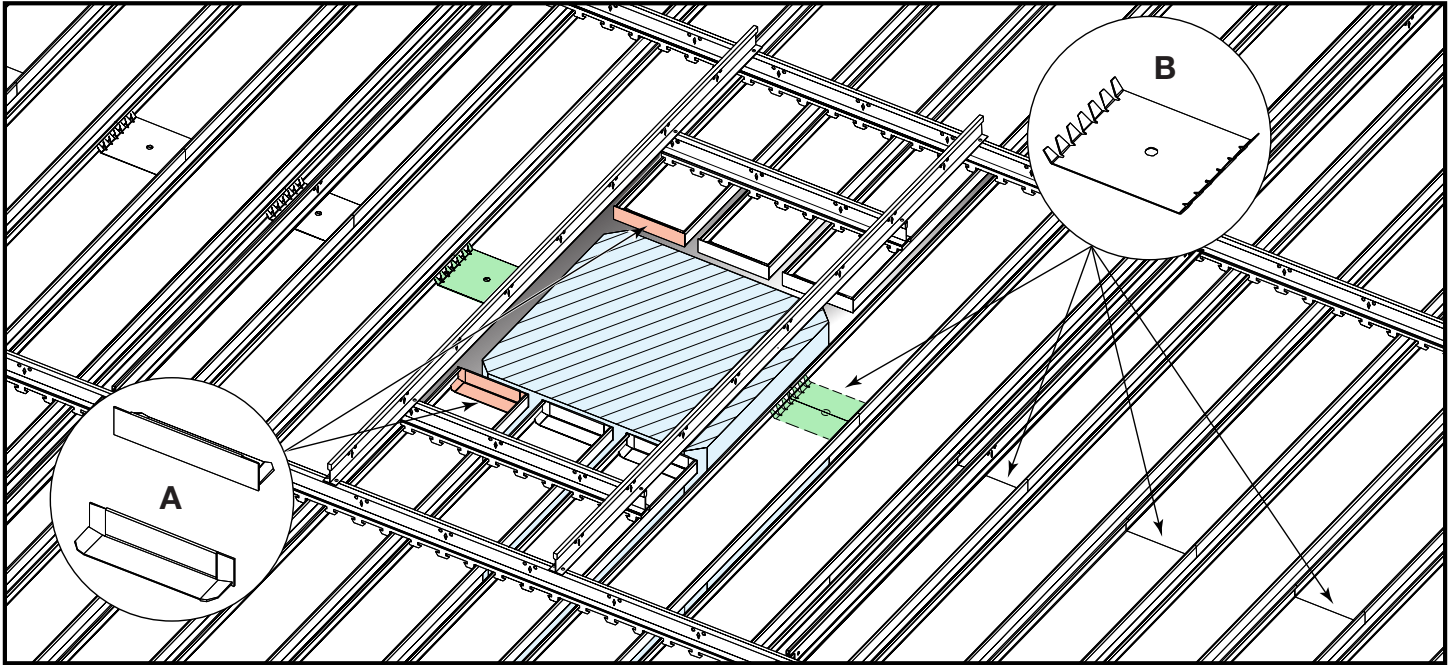
(A) POSITION PERIMETER U-MOLDING



(B) APPLY PERIMETER U-MOLD HOLD-DOWN CLIPS

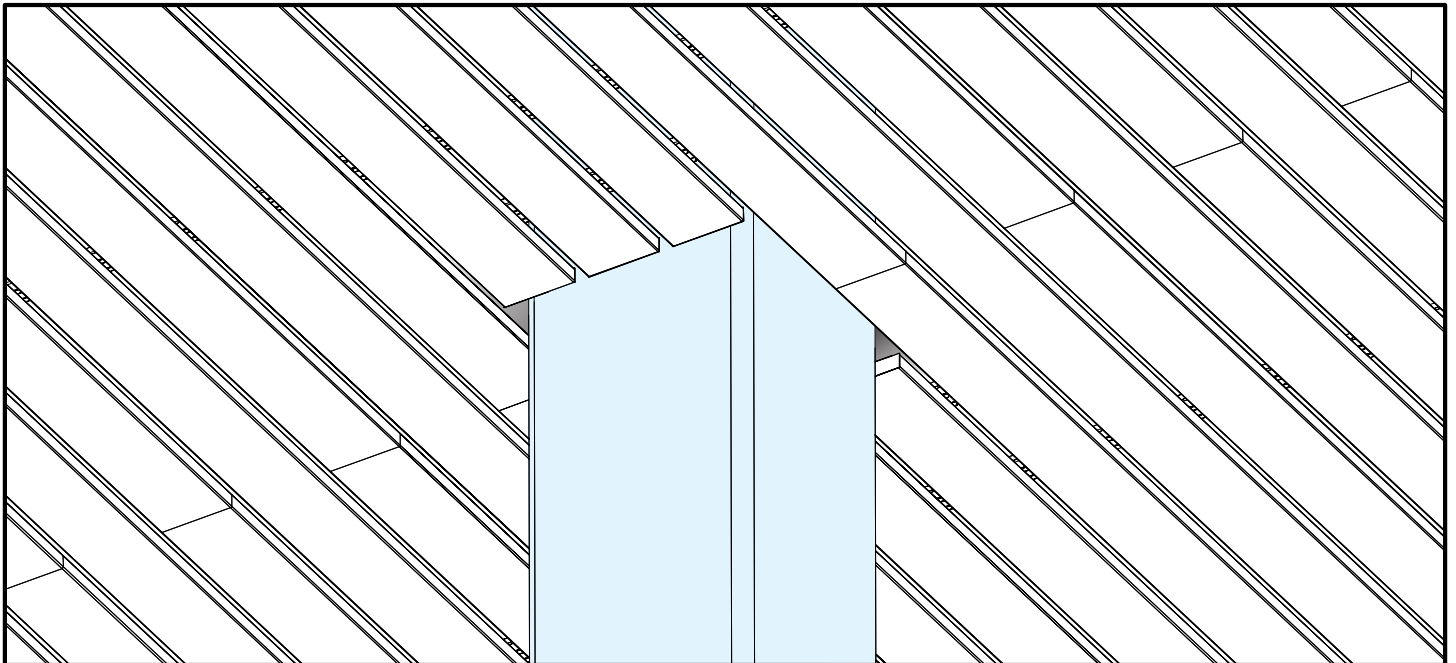
Perimeter Conditions

End-Cap & Splice Installment for Column Integration



(A) ALTERNATE METHOD FOR PILLAR CLEARANCE: APPLY END-CAPS

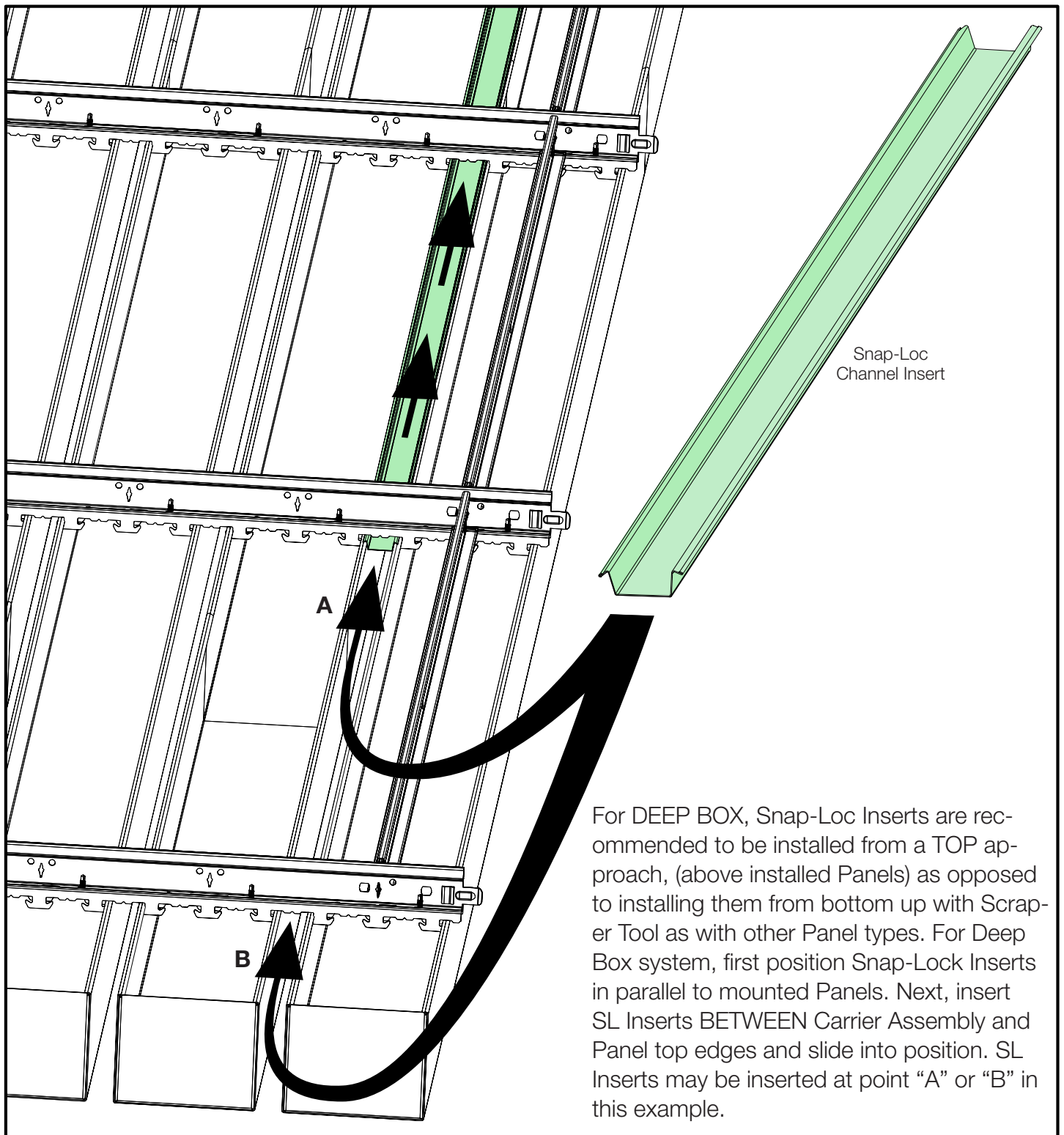
(B) INSTALL SPLICES AS SHOWN (panel joints should ideally exist away from Tees).



COMPLETED PILLAR CLEARANCE USING END-CAPS

Post Treatment for Reveals

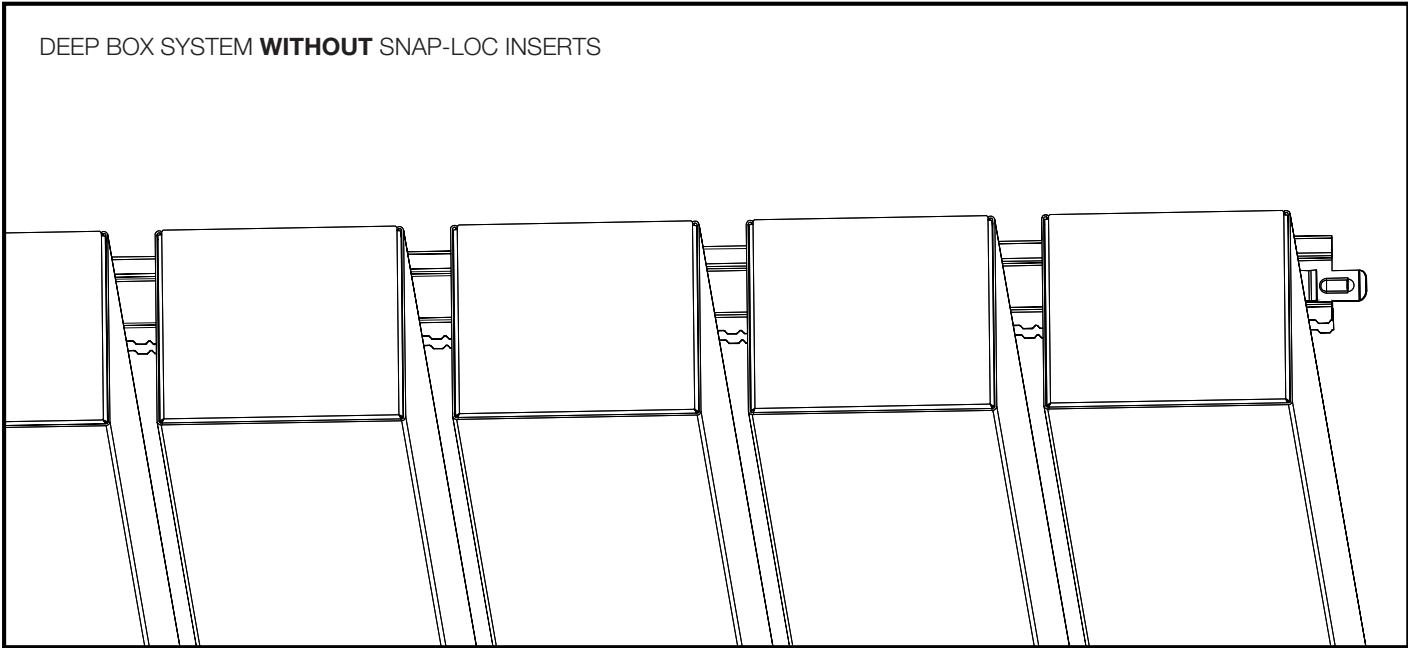
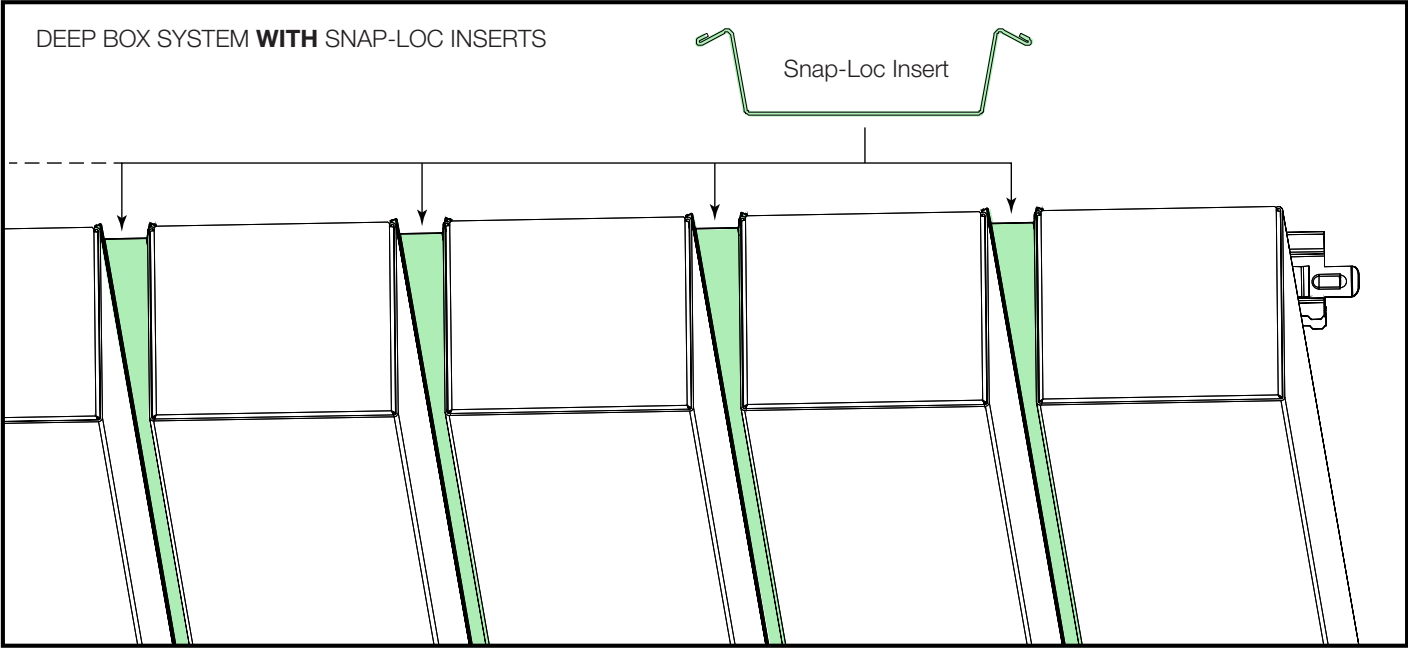
Install Snap-Loc Insert - DEEP BOX System



INSTALLATION METHOD **FOR DEEP BOX ONLY**

Post Treatment for Reveals

Install Snap-Loc Insert - DEEP BOX System



Maintenance

Adjust & Clean

- A.** Adjust ceiling components to provide a consistent finish and appearance in conformity with established tolerances and requirements.

- B.** Clean exposed surfaces of acoustical metal panel ceilings and walls. Comply with manufacturer's written instructions for cleaning and touch-up of minor finish damage.

- C.** Remove and replace work that cannot be successfully cleaned and repaired to permanently eliminate evidence of damage, including dented and bent units. Reference USG metal ceilings cleaning guide.

Support Contacts

Contact your sales rep for any additional support.

Notices

SAFETY

Safety First! Follow good safety/industrial hygiene practices during installation. Wear appropriate personal protective equipment. Read MSDS and literature before specification and installation. Be cautious with exposed sharp edges when handling ceiling system components.

INSTALLATION

Prior to installation, make sure your project complies with any seismic & non-seismic requirements. Must be installed in compliance with ASTM C636, ASTM E580, utilizing standard industry practices and adopting applicable code requirements. Alternative assemblies and installation methods may be utilized when approved by the authority having jurisdiction. USG Ceiling Plus recommends checking with the authority having jurisdiction prior to designing and installing a suspended ceiling system.

LIMITATION

Some commercially acceptable color variation may occur between lots and between different size products of the same color.

LIABILITY

We shall not be liable for any incidental and consequential damages, directly or indirectly sustained, nor for any loss caused by application of these goods not in accordance with current printed instructions or for other than the intended use. Our liability is expressly limited to replacement of defective goods. Any claim shall be deemed waived unless made in writing to us within thirty (30) days from date it was or reasonably should have been discovered.

