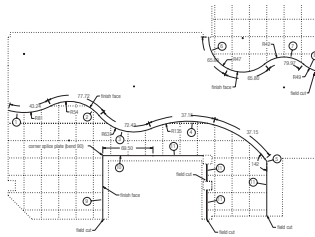


Compasso™ Elite Suspension Trim System

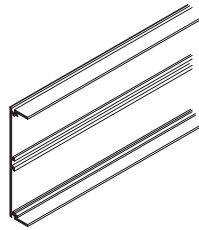
Before beginning installation of the COMPASSO™ Elite Ceiling System, check the enclosed bill of materials to ensure that all parts are present and undamaged. Read all installation instructions first and familiarize yourself with the system's components. This is extremely important because *parts will become permanently damaged* if they are installed incorrectly! To help with identification, all parts are poly-bagged. This is to be used with the IC464 General Installation Guide.

Parts and Components

May include some or all of the following:



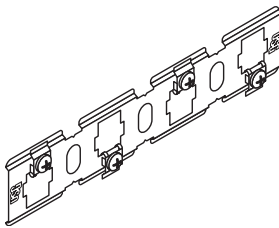
Bill of Materials (BOM) and Reflected Ceiling Plan



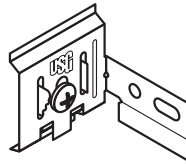
Suspension Trim—Straight
(available in 2", 4", 6", 8" and 10" heights)



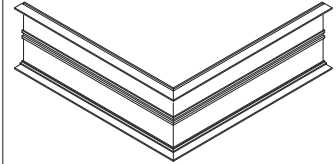
Suspension Trim – Curved
(available in 2", 4", 6", 8" and 10" heights)



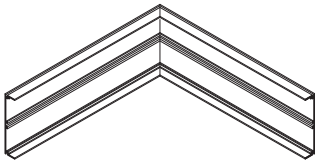
Splice Plate



Attachment Clips

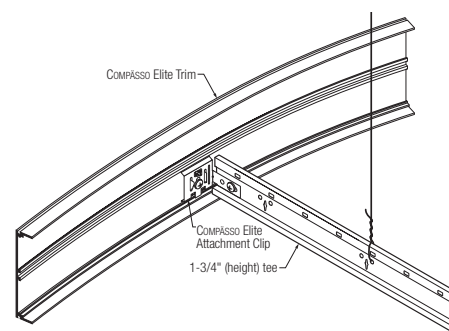


90° Inside Corner



90° Outside Corner (12" x 12")
Outside corners are delivered with the system as one piece, mitered and formed.

COMPASSO Elite Clip Installation

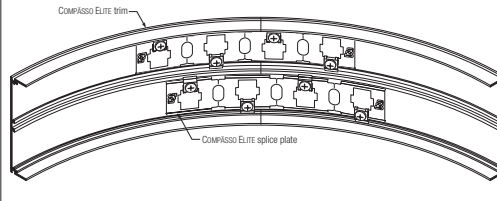


1. Install clip into lower boss (tracks of COMPASSO Elite) and tighten screw.
2. Align cut grid member on side of clip and fasten with self-tapping screw.

Note: If grid clip occurs at a splice, remove the tab portion of the clip and use the same screw to attach to one of the two tapped holes in the center of the splice. Slide splice left or right to suit.

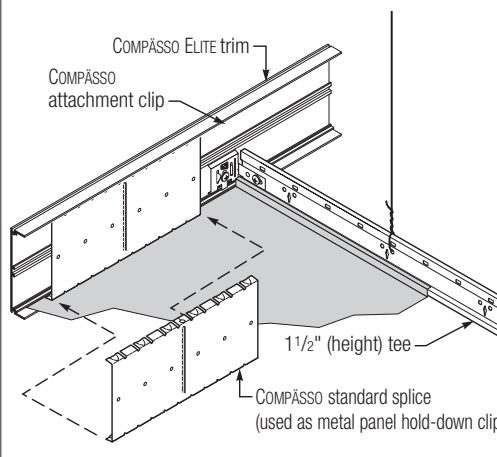
Tip Sheet

COMPASSO Elite Splice Plate



When laying out the COMPASSO Elite Trim, use the same splice plate, but do not tighten the screws. When all is aligned and the grid is measured, cut, and attached to the trim, insert splice plate and permanently tighten the screws to secure.

Metal Ceiling Panel Installation with COMPASSO Elite



Use the notched COMPASSO splice plates supplied to hold down cut CELEBRATION™ or PANZ® panels at the perimeter as shown.

Technical Service

800.USG.4YOU

Website

usg.com

Samples/Literature

888.874.2450

Samples/Literature E-mail

samplit@usg.com

Samples/Literature/Fax

888.874.2348

Customer Service

800.950.3839

Note

All products described here may not be available in all geographic markets and are subject to change without notice. Consult your local sales office or representative for information.

Trademarks

The following are trademarks of USG Interiors, Inc. or a related company: CELEBRATION, COMPASSO, PANZ, USG, USG in stylized letters.

Notice

We shall not be liable for incidental or consequential damages, directly or indirectly sustained, nor for any loss caused by application of these goods not in accordance with current printed instruction or for other than intended use. Our liability is expressly limited to replacement of defective goods. Any claim shall be deemed waived unless made in writing to us within thirty (30) days from the date it was or reasonably should have been discovered.

Safety First!

Follow good safety/industrial hygiene practices during installation. Wear appropriate personal protective equipment. Read MSDS and literature before specification and installation.

