

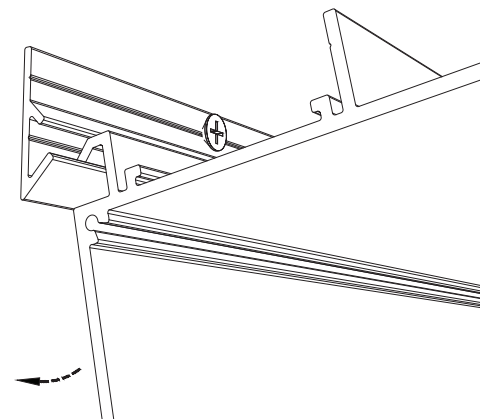
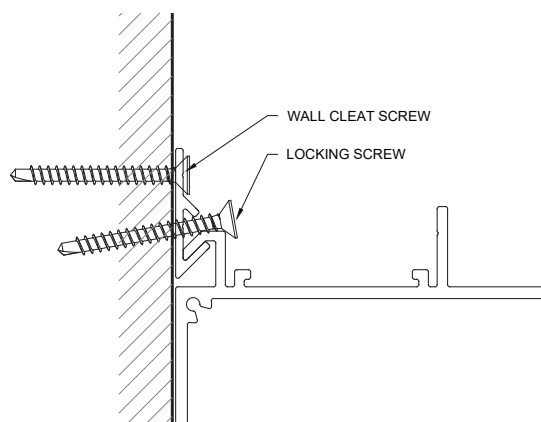
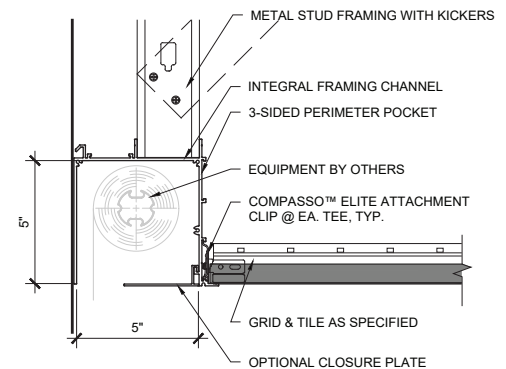
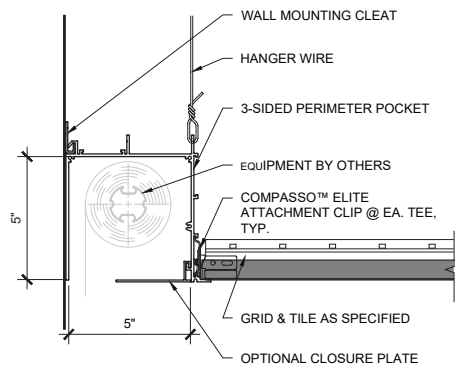
## COMPÄSSO™ ELITE BUILDING PERIMETER SYSTEMS

### CURTAIN POCKET INSTALLATION GUIDE

# INSTALLATION

This document is intended to guide you through the installation of USG's Compasso™ Elite Building Perimeter Systems' Curtain Pocket offerings. We have designed Compasso™ Elite curtain pockets in multiple configurations to allow for maximum flexibility. Systems are designed with both integrated framing channels and extrusion hooks or flush mounted for traditional framing installations.

## 3-Sided Curtain Pocket with Acoustical Flange and Integrated Framing Channel



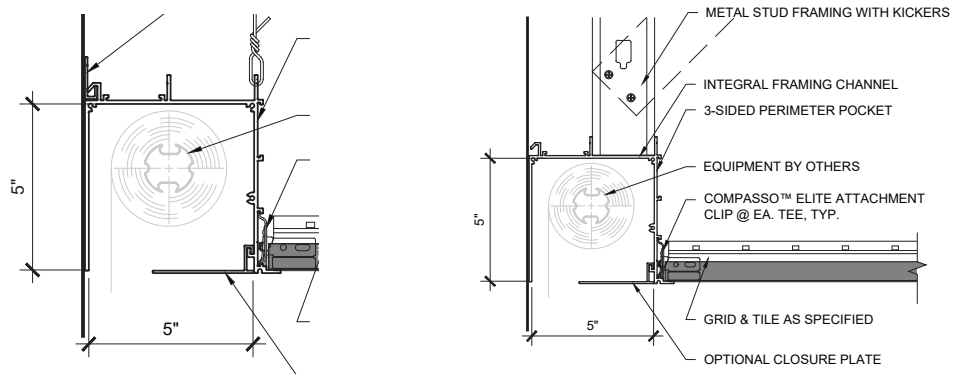
### STEP 1

Choose a ceiling height and determine the mounting strategy. USG offers three (3) mounting options with these systems; the wall cleat/extrusion hook mounting, hanger wire mounting or metal framing member installation.

- A. For the wall cleat (277980) mounting option; determine the mounting height of the pocket and cleat combination you are using and establish the cleat elevation with a laser line. Mount the wall cleat on the perimeter wall at the height of the chalk/laser line already established. USG recommends mounting the wall cleat every 16 inches or 24 inches on center at a stud for the length of the pocket, depending on local codes or the project engineer/inspector of record. The pocket then easily hooks onto the wall mounting cleat by positioning the extrusion hook located on the top of the pocket opposite from the receiving flange of the extrusion hook, locking the wall cleat and the extrusion hook together. USG recommends that both the pocket and the wall cleat should be secured to the wall with screws.

# INSTALLATION

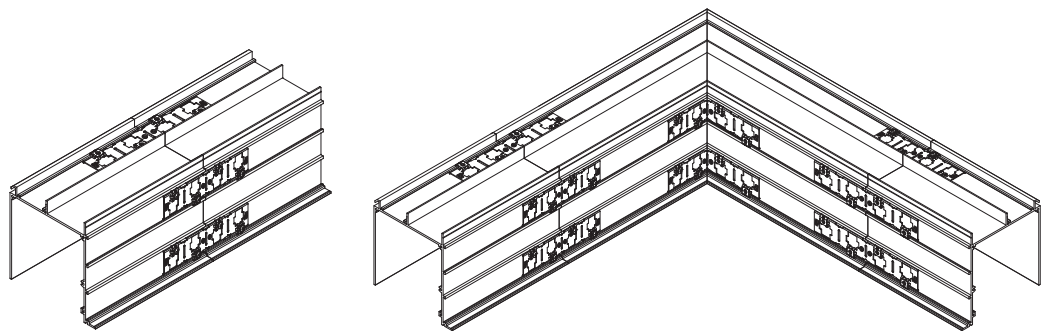
- B. One can also mount USG's pocket with a hanger wire, by drilling a 1/4 inch hole into vertical mounting leg located on top of the extrusion, no more than 48 inches on center. USG recommends 12 gauge hanger wires for this type of installation.
- C. USG curtain pockets also include a metal framing channel ready for standard 2-1/2-inch metal framing members, hung from the deck above and kickers attached to the underside of the structure. USG recommends framing hangers placed every four (4) foot on center.



## STEP 2

At each end of the pocket determine if the system will continue with another section, turn 90-degrees or terminate with an end cap.

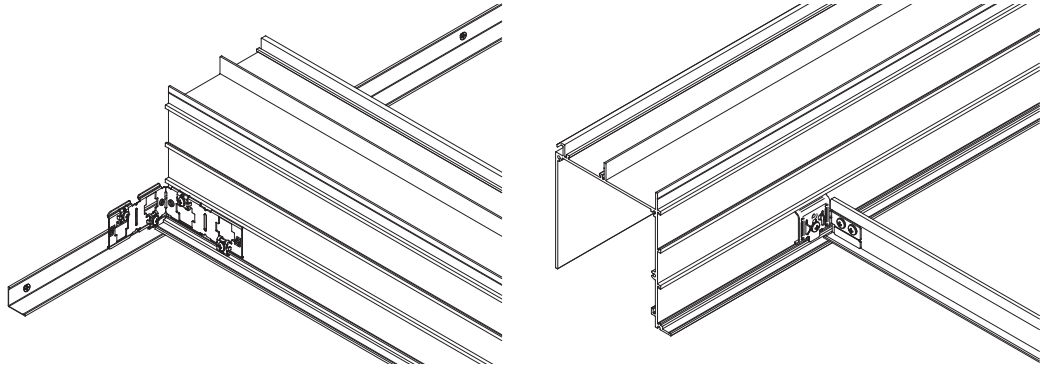
- A. If continued lengths are required, simply continue with the mounting strategy identified in step 1; wall cleat, hanger wire or metal framing. USG's curtain pockets are designed to be mounted together with Compasso™ Elite standard splice plates (279540). USG recommends three (3) splice plates for a tight seamless connection; one located on the top of the pocket and two (2) along the vertical surface.



- B. If a 90-degree turn is required, USG has planned for several inside and outside corners pre-engineered to fit with each curtain pocket assembly. Position the desired corner in place and mount with the similar mounting strategy selected for the pocket. USG recommends three (3) splice plates for a tight seamless connection to the main curtain pocket; one located on the top of the pocket and two (2) along the vertical surface. Not sure, which type of corner is required? Check the quick reference located at the end of this guide.
- C. If the installation will be terminating with an end cap, one would need to select the appropriate end cap for the desired ceiling integration (see quick reference chart located at the end of this guide). End caps are easily installed with #6 x 7/16 inch self-tapping mini screws in two or three locations depending on the end cap selected.

# INSTALLATION

D. If the installation will be terminating at a partition wall, USG recommends that a single splice plate be bent in half at 90-degrees and installed. Half of the plate mounted to the curtain pocket and the other half mounted to the partition wall above the wall molding.

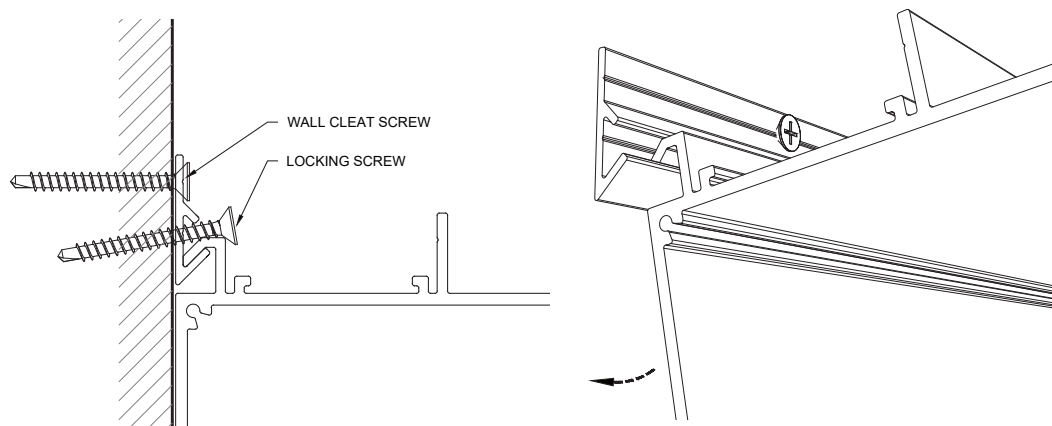
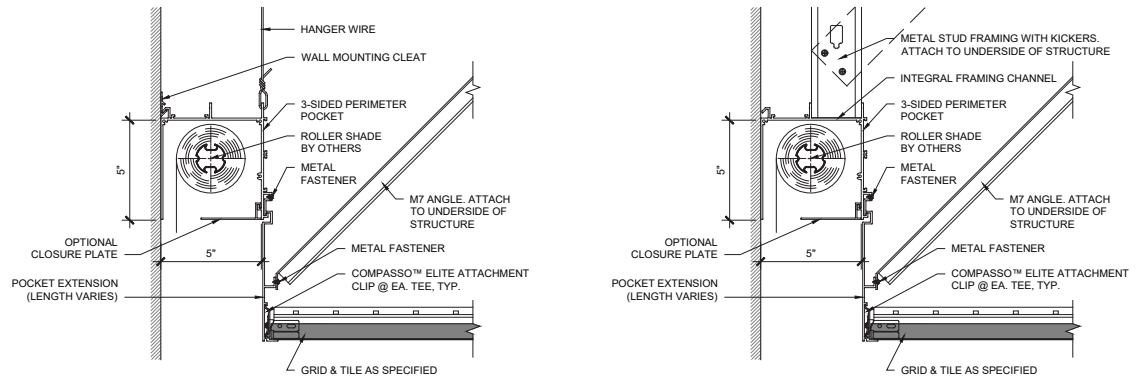


## STEP 3

Connecting the pocket to the acoustical ceiling with a standard Compasso™ Elite attachment clip (279543). Mounting the clip along the splice channel at the desired take off point for the grid system.

# INSTALLATION

## 3-Sided pocket with Extension Connector Flange



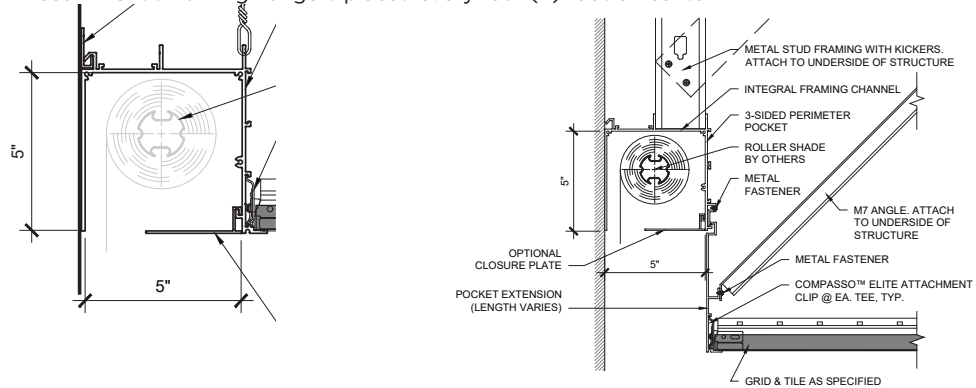
### STEP 1

Choose a ceiling height and determine the mounting strategy. USG offers three (3) mounting options with these systems; the wall cleat/extrusion hook mounting, hanger wire mounting or metal framing member installation.

- A. For the wall cleat (277980) mounting option; determine the mounting height of the pocket and cleat combination you are using and establish the cleat elevation with a laser line. Mount the wall cleat on the perimeter wall at the height of the chalk/laser line already established. USG recommends mounting the wall cleat every 16 inches or 24 inches on center at a stud for the length of the pocket, depending on local codes or the project engineer/inspector of record. The pocket then easily hooks onto the wall mounting cleat by positioning the extrusion hook located on the top of the pocket opposite from the receiving flange of the extrusion hook, locking the wall cleat and the extrusion hook together. USG recommends that both the pocket and the wall cleat should be secured to the wall with screws.
- B. One can also mount USG's pocket with a hanger wire, located at 16 inches on center by drilling a 1/4 inch hole into vertical mounting leg located on top of the extrusion, no more than 48 inches on center. USG recommends 12 gauge hanger wires for this type of installation.

# INSTALLATION

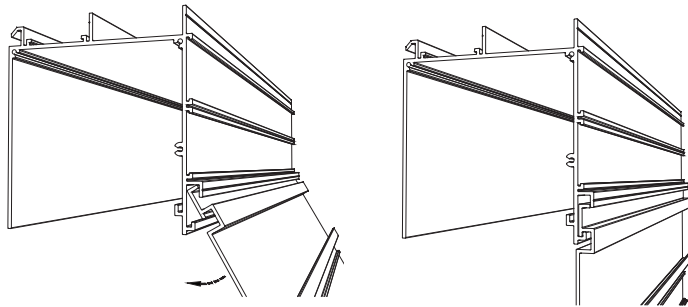
C. USG curtain pockets also include a metal framing channel ready for standard 2-1/2-inch metal framing members, hung from the deck above and kickers attached to the underside of the structure. USG recommends framing hangers placed every four (4) foot on center.



## STEP 2

Determine the amount of drop your installation requires to reach the desired ceiling height. USG has planned for elevation drops of 4" (277976), 6" (277977) and 8" (277978) with acoustical flanges.

A. Take the connector flange with the acoustical edge facing out opposite the building perimeter and towards the deck. Slide the connector flange into place inside the receiving connector flange and rotate the extension flange downward 30-degrees until it is seated in place. Pull down on the extension flange to make sure it is tightly locked inside the receiving flange.

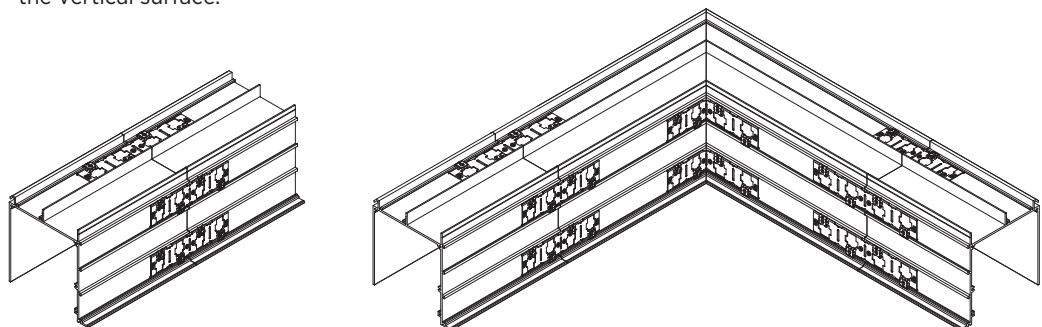


B. USG recommends using M7 molding as a brace for the extension connector flange from the deck to the ledge located above the acoustical flange. Use #6 x 7/16 inch self-taping screw should be fastened in place in the horizontal direction. USG recommends bracing every four (4) foot on center for the entire length of the pocket.

## STEP 3

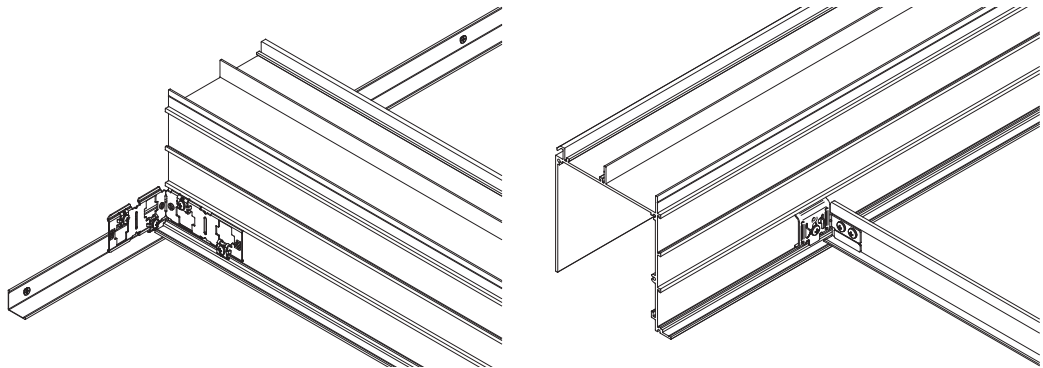
At each end of the pocket determine if the system will continue with another section, turn 90-degrees or terminate with an end cap.

A. If continued lengths are required, simply continue with the mounting strategy identified in step 1; wall cleat, hanger wire or metal framing. USG's curtain pockets are designed to be mounted together with Compasso™ Elite standard splice plates (279540). USG recommends three (3) splice plates for a tight seamless connection to the main curtain pocket; one located on the top of the pocket and two (2) along the vertical surface.



# INSTALLATION

- B. If a 90-degree turn is required, USG has planned for several inside and outside corners pre-engineered to fit with each curtain pocket assembly. Position the desired corner in place and mount with the similar mounting strategy selected for the pocket. USG recommends three (3) splice plates for a tight seamless connection to the main curtain pocket; one located on the top of the pocket and two (2) along the vertical surface. Not sure, which type of corner is required? Check the quick reference located at the end of this guide.
- C. If the installation will be terminating with an end cap, one would need to select the appropriate end cap for the desired ceiling integration (see quick reference chart located at the end of this guide). End caps are easily installed with #6 x 7/16 inch self-tapping mini screws in two or three locations depending on the end cap selected.
- D. If the installation will be terminating at a partition wall, USG recommends that a single splice plate be bent in half at 90-degrees and installed. Half of the plate mounted to the curtain pocket and the other half mounted to the partition wall above the wall molding.



## STEP 4

Connecting the pocket to the acoustical ceiling with a standard Compasso™ Elite attachment clip (279543). Mounting the clip along the splice channel at the desired take off point for the grid system.

## CUTTING SPECIAL LENGTHS

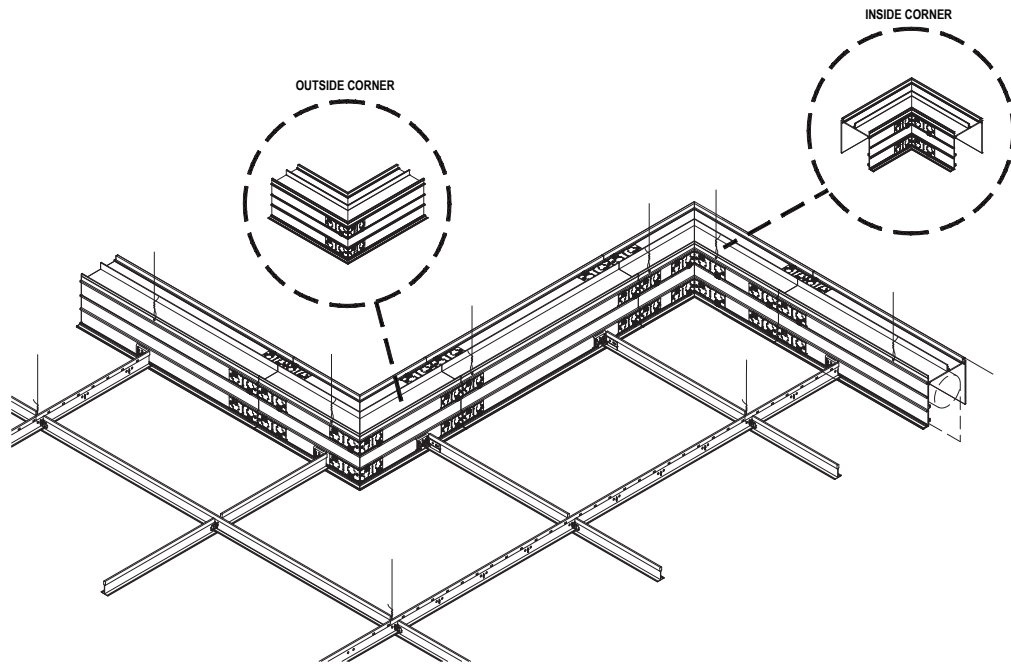
USG recommends using 15" Hitachi miter saw, with non-ferrous cutting blade for cutting the Compasso™ Elite Building Perimeter Curtain Pockets.

# INSTALLATION

**TERMINOLOGY QUICK REFERENCE**

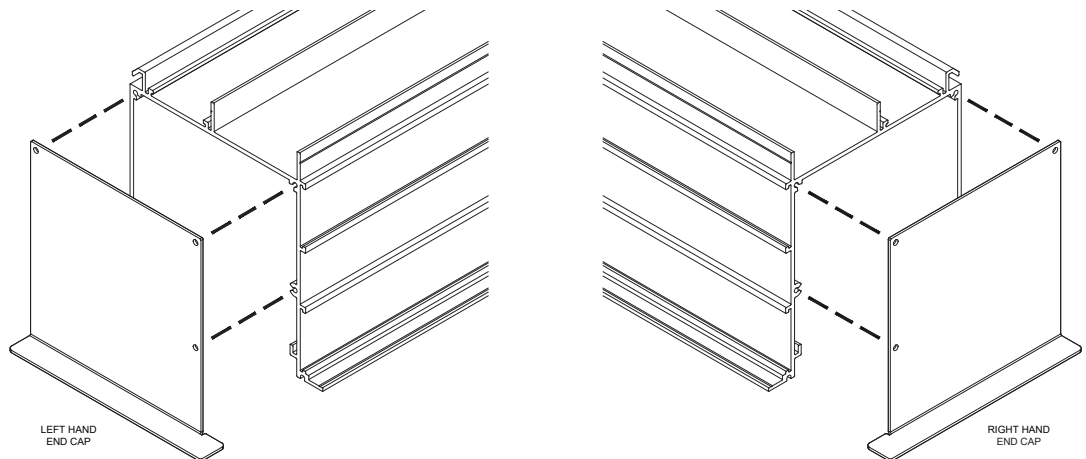
**How do I know which type of corner is needed?**

Consider where the “value” is on the corner. In the case of a corner, the “value” is the acoustical flange on each corner. When the acoustical flange is on the outside of the part; it’s an outside corner. Conversely, when the flange is located on the inside of the corner, we consider that to be an inside corner. See the sketch below



**How do I know which type of endcap is needed?**

Think about installing the pocket to the building perimeter and looking at the pocket from inside the building on the ceiling side. From this vantage point, the flange (Acoustical, Drywall or Extension Connector) would be facing the installer. If one needed to cap the right side of the pocket, he would need a “Right-handed” end cap. Conversely, if one needed to terminate the left side of the pocket, he would need a “Left-handed” pocket. See the sketch below:





# INSTALLATION

## What End Caps should you use?

System	Part Number	End Cap
3-Sided Pocket with ACT flange and Integrated Framing Channel	278071	Right-handed end cap with acoustical flange
2-Sided Pocket with ACT flange and Integrated Framing Channel	278072	Left-handed end cap with acoustical flange
3-Sided Pocket with DW flange and Integrated Framing Channel	278000	End cap for drywall flange
3-Sided Pocket with Extension Connector flange and Traditional Metal Framing	278011	End cap for extension connector flange
2-Sided Pocket with Extension Connector flange and Traditional Metal Framing		

### Notice

The information in this document is subject to change without notice. CGC Inc. or USG Corp. assumes no responsibility for any errors that may inadvertently appear in this document.

IC754/rev. 6-24  
© 2024 USG Corporation and/or its affiliates. All rights reserved.  
Printed in USA

Manufactured by  
USG Interiors, LLC  
550 West Adams Street  
Chicago, IL 60661

The trademarks USG, COMPASSO, IT'S YOUR WORLD. BUILD IT., the USG logo, the design elements and colors, and related marks are trademarks of USG Corporation or its affiliates.

SAFETY FIRST! Follow good safety and industrial hygiene practices during handling and installation of all products and systems. Take necessary precautions and wear the appropriate personal protective equipment as needed. Read Safety Data Sheets and related literature on products before specification and/or installation.