
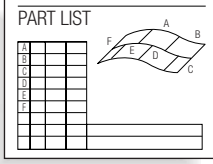
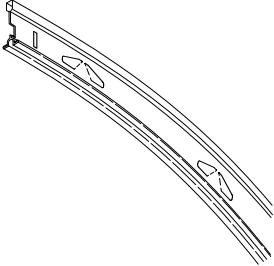
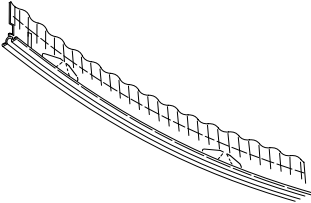
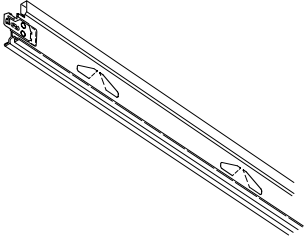
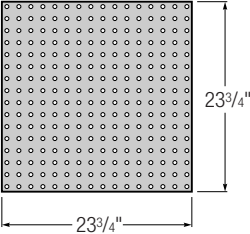
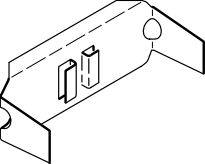
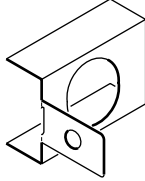
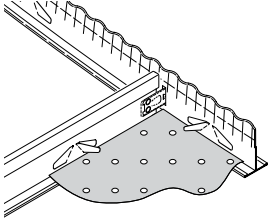

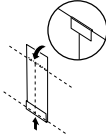
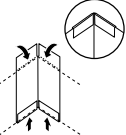


Curvatura™ 2' x 2' Ceiling System

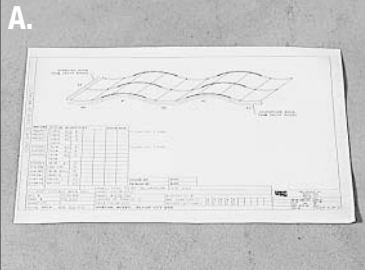


Page 1 of 8

Before beginning installation of the CURVATURA™ 2' x 2' Ceiling System, check the enclosed bill of materials to ensure that all parts are present and undamaged. Read all installation instructions and familiarize yourself with the system's components. This is extremely important because *parts will become permanently damaged* if they are installed incorrectly! To help with identification, all parts are poly-bagged and labeled.

Parts and Components May include some or all of the following:	Installation videotape 		Bill of Materials (BOM) 		
	Vault Main Tee Segment 		Valley Main Tee Segment 		
2' Cross Tee 		2' x 2' Infill Panels 			
Main Tee Splice Plate 		Wall Attachment Clip 		Integral Hold-Down Tabs 	
18 Gauge Stainless Steel Wire 		Splice Cover 		Corner Cap 	

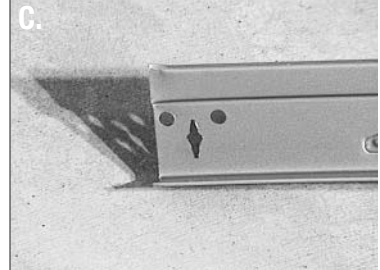
Step 1: Laying Out First Row of Main Tees



Refer to the Bill of Materials and Ribbon Drawing and locate the appropriate Flush Cut Main Tee to start the first row of Main Tees.



Note that Main Tees can have two different types of ends – flush-cut ends and splice ends.



A Main Tee with a flush-cut end will have a cross tee slot approximately 1/2-inch from its factory-cut end.



A part ID code is stamped on Main Tees with splice ends. For your reference, these ID codes are also listed on the Ribbon Drawing.



A Main Tee with a splice end will have a slot for the splice approximately 1 inch from its end.



Find a corner starting point based on locations specified on your architect's plans or by scaling from a working drawing. It's best to start at a point near a wall or column that can be used for reference and support.

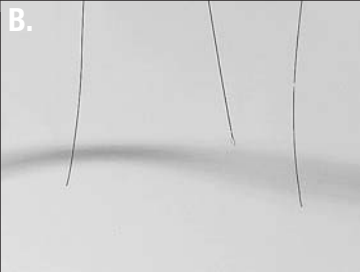


Lay the Main Tees out on the ground as they will be arranged in the installation. Be sure to place a Flush-Cut Main Tee at the beginning or end of this first row, as shown on the Ribbon Drawing.

Step 2: Installation of Main Tees



A. Each Main Tee has pre-punched hanger holes spaced about 2 feet apart. Hanger wires need only be attached at every other hole, so mark these locations when laying your arrangement out on the floor.

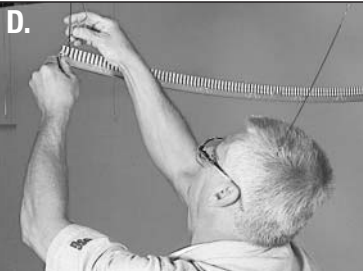


B. Once you have established where each hanger wire should go, you can pre-hang the first row of hanger wire.

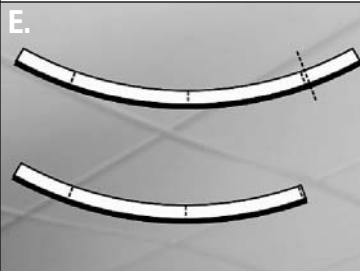
Because the tees are curved, the space between hanger wires will vary.



C. Hang the flush-cut end of the Main Tee from the ceiling based on the elevation and location specified on your architect's plans or by scaling from a working drawing.



D. Extra hanger holes can be field-punched or drilled where required to help work around obstructions. Keep in mind that the space between any two hanger wires must not exceed 4 feet.



E. Some field installation may require you to make a flush-cut Main Tee by field-cutting a main tee with a splice end.



F. To do this, find the Cross Tee slot closest to the point where the Main Tee will be cut.



G. Insert the Cross Tee into that location and mark where the outside edge of the Cross Tee meets the Main Tee.



H. Use a square to ensure that the mark, and therefore the cut, will be straight and square.



I. Carefully cut the Main Tee with tin snips, ensuring that the final cut has a finished look.

Step 2: Installation of Main Tees



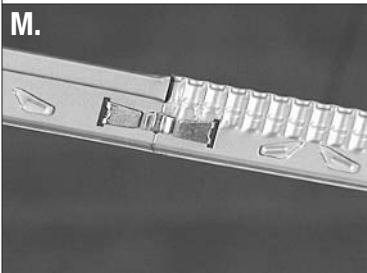
The finished field-cut Main Tee with the cross Tee installed should look like this.



Continue installing Main Tee segments. Refer to the Ribbon Drawing to select each tee.



To connect Main Tees, use a Main Tee Splice. Insert the splice tabs into the slots at the ends of the adjoining Main Tees. Then, partially bend the tabs inward.



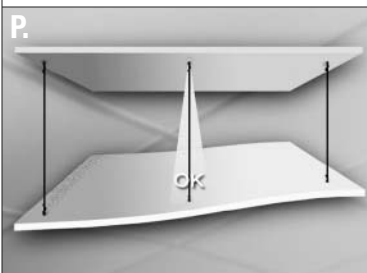
Once both tees are suspended and aligned, the tabs can be fully bent down.



The accuracy of the first row of Main Tees will ultimately determine the quality of the installation so be sure to check the integrity of the completed row. Extra care at this point will prevent alignment problems in the rest of the installation.



Next, examine the profile of the completed row from the side. The curve of one tee should flow smoothly into the curve of the next. If the curves are not flowing smoothly, adjust the hanger elevations either up or down.



Wire should hang straight and plumb within 1 in 6, about 10 degrees. If hangers need to be relocated, move them now. If necessary, you can punch or drill extra hanger holes into the Main Tee to ensure plumb wires.

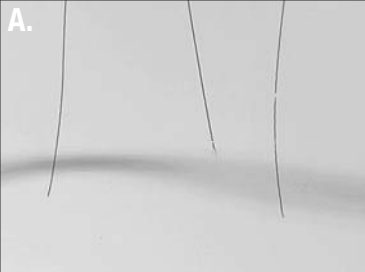


Now, examine the completed row of Main Tees from one end. It should be straight and plumb. If you need to install additional hanger wires, install them now.

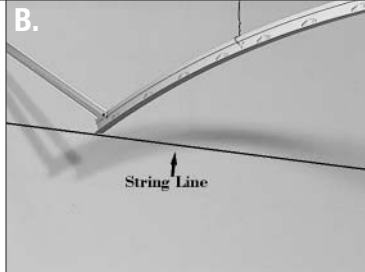


It's important that the first row of Main Tees remains stable during the entire process. As a final step, install temporary bracing to the ceiling or walls, as each row is completed to ensure that it remains straight and rigid.

Step 3: Install Remaining Grid



A. Using the first row of hanger wires as a guide, install each additional row of hanger wire two feet apart.



B. Use string lines or a laser to ensure that each row will be properly aligned.



C. After hanging the first Flush-Cut Main Tee in a row, connect it to the previous row with a Cross Tee.



D. Continue hanging Main Tees and joining them with Cross Tees to form the grid.

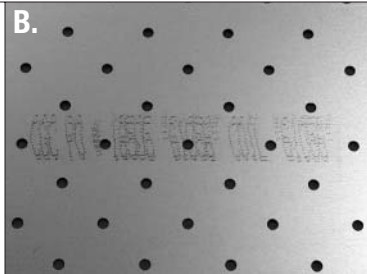


E. When all Main Tees have been hung, tightly wrap the ends of each hanger wire. This is important because the ends of these wires could be seen from the side of the completed installation.

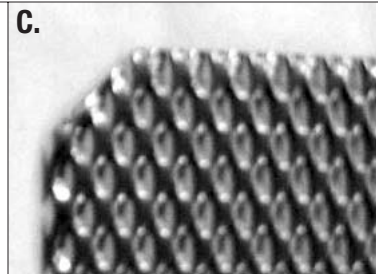
Step 4: Panel Installation



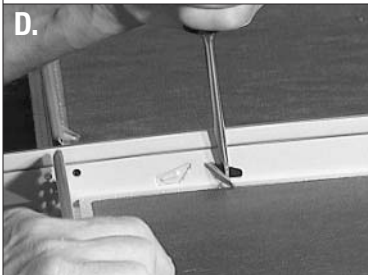
A. Lay CURVATURA 2'x2' panels into the grid one at a time.



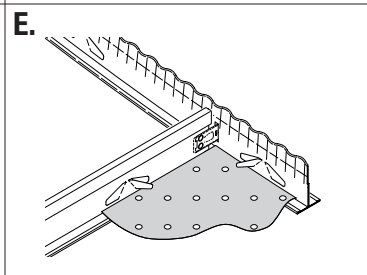
B. Some panels are directional; check for directional markings and install accordingly.



C. On DIAMONDFLEX™ panels, look for the notch in the panel corner that indicates directionality.



D. After each panel has been installed, bend the Hold-Down Tabs as necessary to secure the panel, eliminating all gaps between the panels and grid. Be careful not to overbend the tabs as this could damage the panel.

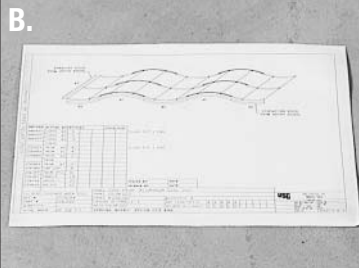


E. After installing each panel, be sure that sufficient Hold-Down Tabs have been bent to prevent the panel from lifting. Adjusting tabs later will be difficult.

Step 4: Edge Trim Installation



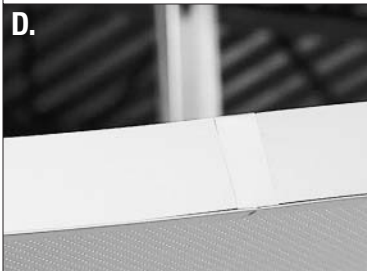
Remove any temporary bracing.



Next, follow the Ribbon Diagram to identify the proper position for each Edge Trim segment.



Install the Edge Trim by sliding each trim segment onto the grid. For ease of installation, Edge Trim segments are designed to be about 1/2-inch shorter than the Main Tee segments.



Fascia Splices and Corner Clips are provided to cover the gaps.



To install each Fascia Splice, squeeze the bottom tab to allow a snug fit around the trim.



Hook the tab over the bottom edge of the trim. Then, bend over the top of the splice as shown here. It's easiest to install Fascia Splices progressively.



Next, apply Corner Caps. Hook each Corner Cap over the bottom edge of the trim, then bend over the top as shown here.



Squeeze the trim against the grid to ensure a proper fit. Then, screw-attach the trim segments to the grid with number-six by three-eighths self-tapping screws. Be sure to install at least two screws per trim segment.

Technical Service

800 USG.4YOU

Web Site

www.usg.com

Samples/Literature

888 874.2450

Samples/Literature E-mail

samplit@usg.com

Samples/Literature/Fax

888 874.2348

Customer Service

800 950.3839

Note

All products described here may not be available in all geographic markets and are subject to change without notice. Consult your local sales office or representative for information.

Trademarks

The following are trademarks of USG Interiors, Inc. or a related company: CURVATURA, DIAMONDFLEX, USG.

Notice

We shall not be liable for incidental or consequential damages, directly or indirectly sustained, nor for any loss caused by application of these goods not in accordance with current printed instruction or for other than intended use. Our liability is expressly limited to replacement of defective goods. Any claim shall be deemed waived unless made in writing to us within thirty (30) days from the date it was or reasonably should have been discovered.

SAFETY FIRST!

Follow good safety and industrial hygiene practices during handling and installation of all products and systems. Take necessary precautions and wear appropriate personal protective equipment as needed. Read material safety data sheets and related literature on products before specification and/or installation.

