

## Design and Installation Guide

October, 2017



# Design and Installation Guide

Transluents™ Canopies from USG feature stand-alone decorative elements that can be independently suspended or coupled together to achieve islands of color.

	Pages	
<b>Understand Your System</b>	<b>2</b>	<b>Overview Elements</b>
<b>Design Your System</b>	<b>4</b>	<b>Components Application Details</b>
<b>Install Your System</b>	<b>7</b>	<b>Planning Canopies Angled Canopies Cable Heights</b>
<b>For More Information</b>		<b>Technical Service 800 USG.4YOU  Web Site usg.com</b>

# System Overview

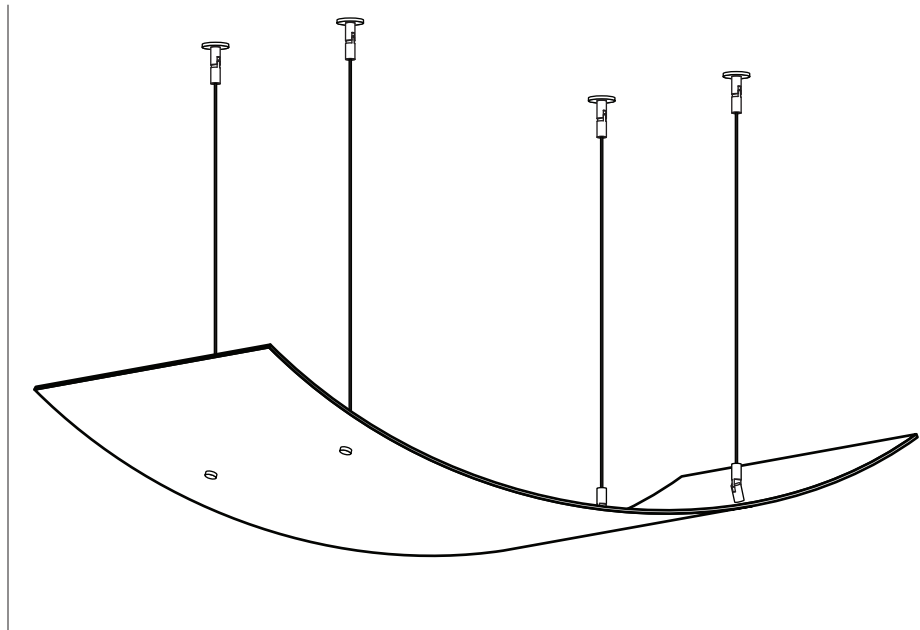
## Elements

### Canopies

TRANSLUCENTS™ Canopies are decorative elements that can be suspended as individual units or coupled together to achieve islands of color. Each canopy is pre-curved and comes with all the necessary installation hardware. The simplicity and minimalistic approach to these canopies provides aesthetics and simplified installation.

Each TRANSLUCENTS Canopy (panel) is a composite of PETG or Acrylic that is embossed, laminated with fabric, or other decorative material. Panels are approximately 2' x 6' after forming. Because the canopies are fabricated to the same basic size, it is convenient and easy to combine the panels for larger expanses.

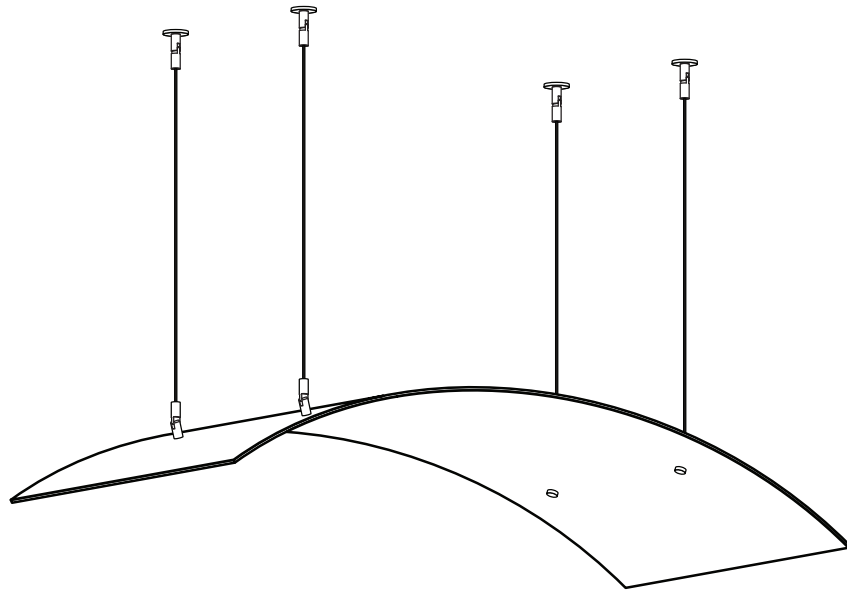
### Valley



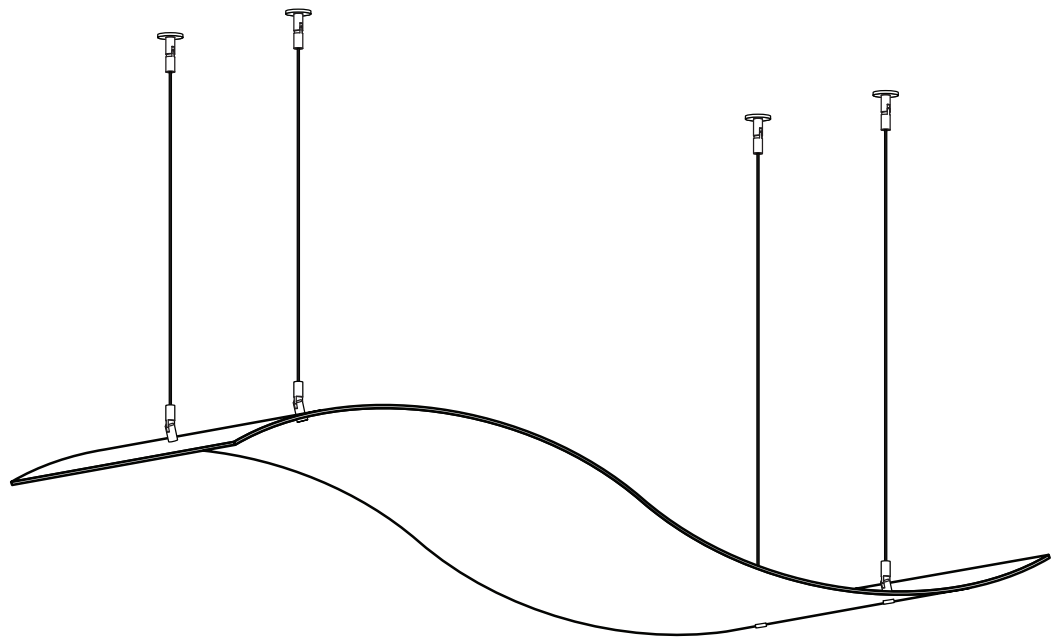
# System Overview

## Elements

**Vault**




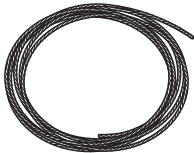
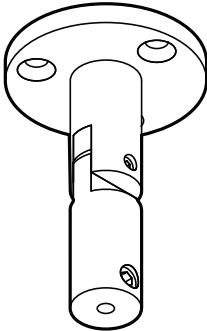

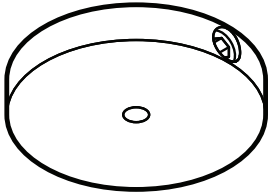
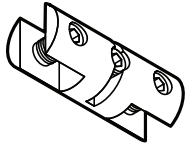
**Wave**



# System Overview

## Components

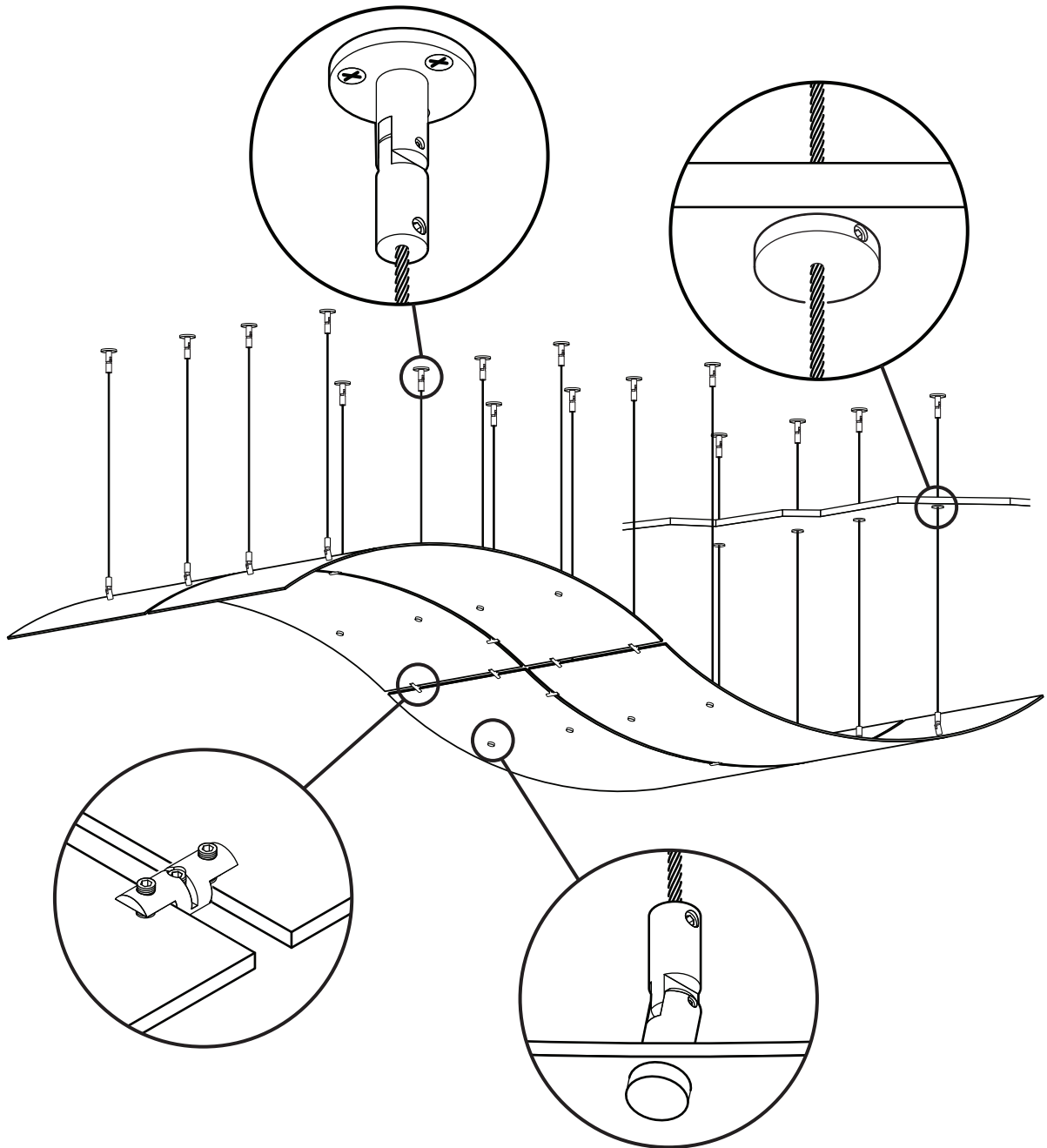
<b>Terms and Definitions</b>	<b>Canopies</b>	Descriptor for curved, independent, or groups of three-dimensional elements
	<b>Elements</b>	Building blocks of Canopies (valleys, vaults or waves) used by a designer to define the space
	<b>Panel</b>	Generic descriptor for the physical elements installed in the ceiling space
	<b>Hardware</b>	Physical hanging and attachment devices for suspending the canopy panels

<b>Panel</b>	<b>Formed Panel</b> (Valley shown)		
			
<b>Hardware</b>	<b>1/8" x 15' Stainless Steel Decorative Cable</b> TRNCBL15	<b>Cable to Structure Attachment Plate</b> TRNCBLAP	<b>Cable to Panel Attachment Plate</b> TRNCBLPA
			
<b>Accessories</b>	<b>Decorative Cable Escutcheon</b> TRNCBLESC	<b>Panel Joiner Clip</b> TRPNLJ	
			

# Application

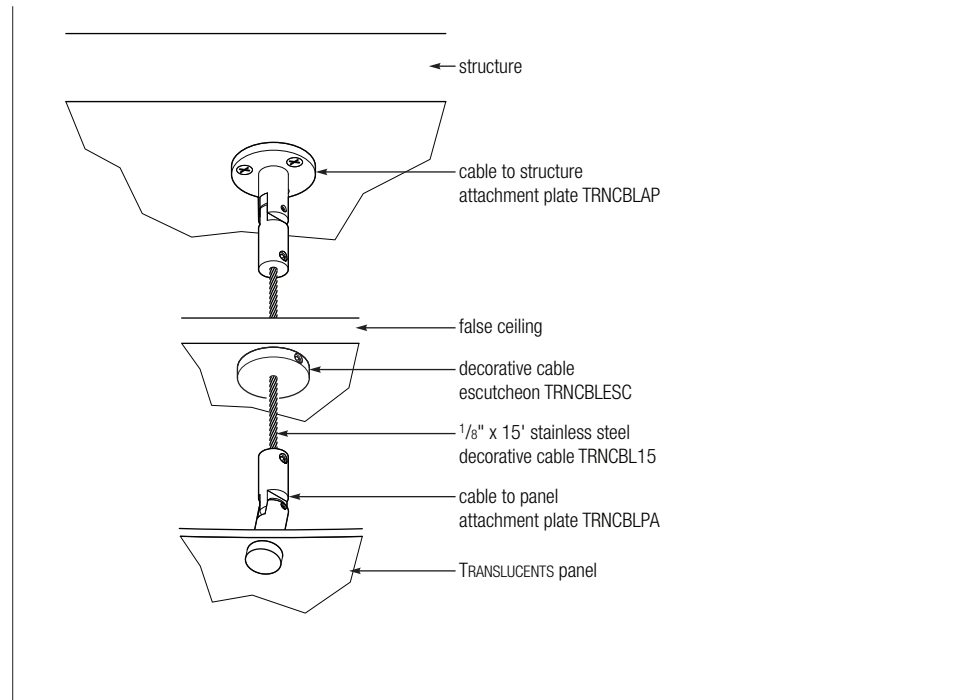
---

## Details



# Application

## Details



# Installation

---

## Planning

<b>Job Site Conditions</b>	<p>Building conditions: Building shall be enclosed with all windows and exterior doors in place and glazed, and the roof watertight.</p> <p>Interior temperature/humidity in building: Climatic conditions in areas to systems shall range from 60°F (16°C) to 85°F (29°C) and relative humidity of not more than 55% shall be maintained before installation of components.</p>
<b>Man Power</b>	<p>It is recommend that the installation of the formed panel onto the panel attachment clips be done by two people, other steps such as preparation and lay-out can be done by one person.</p>
<b>Tools/Materials</b>	<ul style="list-style-type: none"><li>– Plumb-bob Laser</li><li>– Level Laser</li><li>– Hammer Drill</li><li>– Wire Cutters (Cable Cutters)</li><li>– Battery Drill</li><li>– Anchors (not supplied)</li><li>– Allen Wrench (8mm)</li></ul>
<b>Area Preparation</b>	<p>Clear the floor area of any debris or obstacles.</p>
<b>Material Information</b>	<p>Each panel will have 4 predrilled holes that will be used with the provided panel attachments plates. Panel joiner clips are not supplied as part of the canopy kit so for multiple panel installations the clips must be purchased separately.</p>
<b>Anchoring/Bracing information</b>	<p>Anchors may be necessary for the attachment of the structure attachment clips to wood, concrete, or drywall. Installer should follow the anchor manufactures recommendation for securing and attaching anchors to mounting surface or building structure.</p>
<b>Wire Installation and Considerations</b>	<p>For multiple panel installations in which the panels are joined together, it is very important that the hanging cables are plumb and independently attached to the the mounting surface or structure. Other ceiling element such as lights or signage should not be attached to the supporting cables.</p>
<b>Multiple Panel Installations</b>	<p>When installing more than one panel, each panel should be installed independently and only after all the panels are hung and at the appropriate height, should they be joined with the panel joiner clips.</p> <p>Panels can be joined side by side as well as end to end using the panel joiner clip.</p>



# Installation

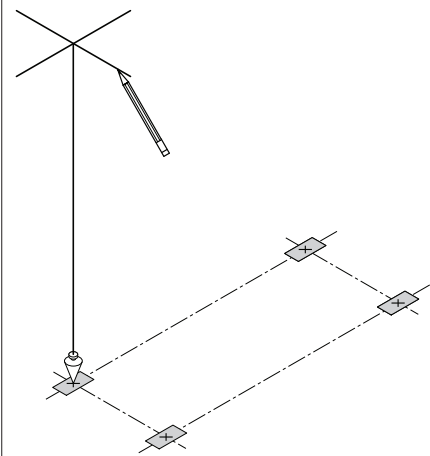
## Canopies

Each panel will have 4 predrilled holes that will be used with the provided panel attachments plates. Layout marks should be made on the floor corresponding to each panel hole.

- For non-horizontal or multiple panel install see pages 12 and 13. Take measurements of these holes and transfer them to the floor in the area the Wave is to be hung.\*

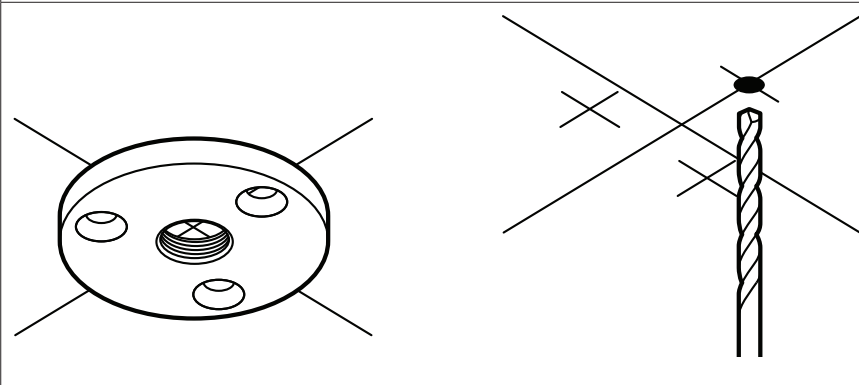
**Figure 1**

Using a laser plumb-bob, transfer wire location marks from the floor to the building structure or ceiling deck. If the ceiling is hanging below an existing drop ceiling, the wire must pass through and attach to the building structure. A decorative escutcheon is available as an accessory. (TRNCBLESC)



**Figure 2**

Unscrew the structure attachment clip and line up the center hole with the wire location mark, transfer each of the three screw holes to the mounting surface. Reassemble the structure attachment clip.

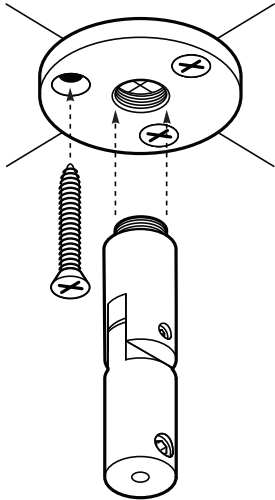


\* Dimensions shown in this document are accurate based on normal manufacturing tolerances. It is the contractor's responsibility to insure that all cables are plumb and spacing of multiple panels are per the architect's plans.

# Installation

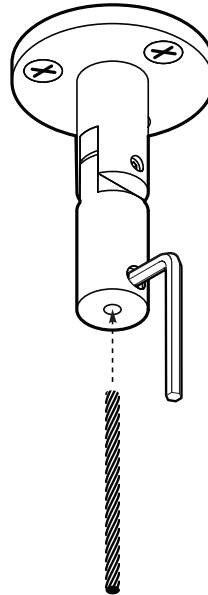
## Canopies

Figure 3



Install each structure attachment plate. Use appropriate anchors and for the mounting surface and follow the manufactures guidelines, each hanging point should have a hold a design load of 125 lbs with a safety factor of 2:1.

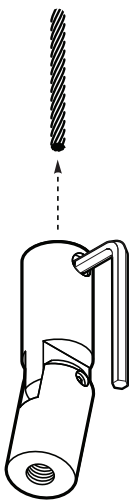
Figure 4



Using an 8mm Allen Wrench, loosen the setscrew and insert the wire cable into the structure attachment clip.

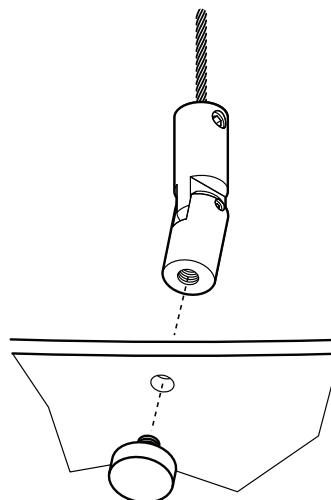
To determine the height of your hanger cables: (in horizontal install only) refer to pages 12 and 13.

Figure 5



Unscrew the cap from the panel attachment clip. Unscrew the Allen screw and attach it to the cut end of all four wires.

Figure 6



With two people, lift the panel into position, line up the panel holes with the panel attachment clips. Screw attach by hand the cap to the other half of the panel clip.

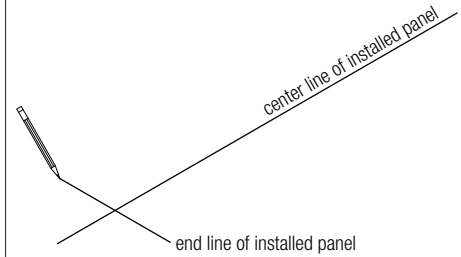
# Installation

## Angled Canopies

In an installation where the finished panels will be installed with one end higher than the other, it is important to note that the hanger wires in the long dimension will be closer together than a flat installation. Follow the steps below to determine the appropriate hanger wire spacing.

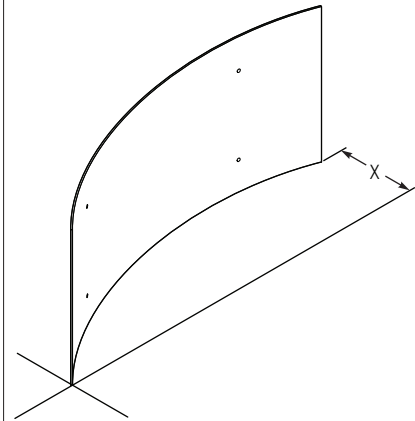
**Figure 1**

Establish two control lines, one line at the desired location of the short edge at the installed panel and one line at the center of the installed panel (in the long dimension)



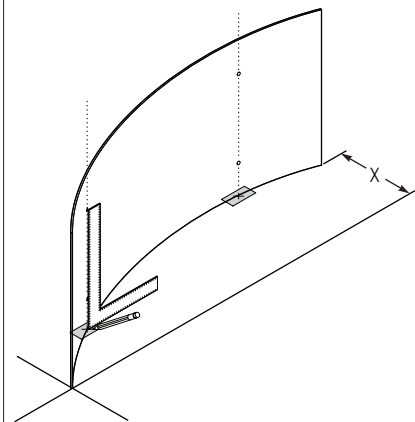
**Figure 2**

Temporarily lay the panel on its side to be installed on the control line with the short edge at the intersection of the two control lines. Position the other end of the panel with the desired difference in height above or below the control line (above if the panel angles up, below if the panel angles down).



**Figure 3**

Using a framing square, transfer the pre-drilled holes vertically from the panel to the floor and establish temporary marks.

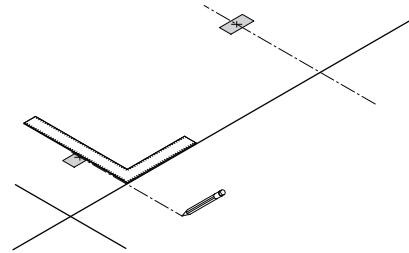


# Installation

## Angled Canopies

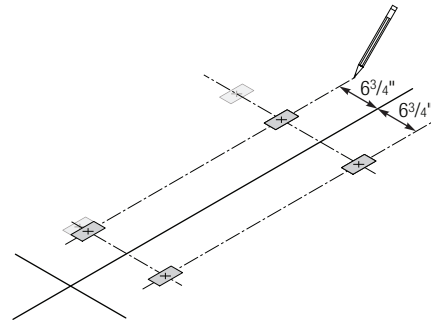
**Figure 4**

Using the framing square again, transfer these marks across and through the center control line.



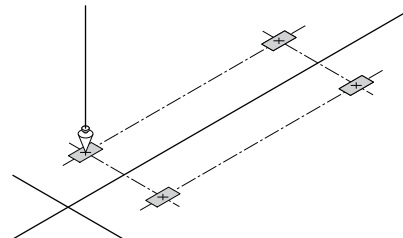
**Figure 5**

Measure and mark the finished hole locations on both sides from the center control line.



**Figure 6**

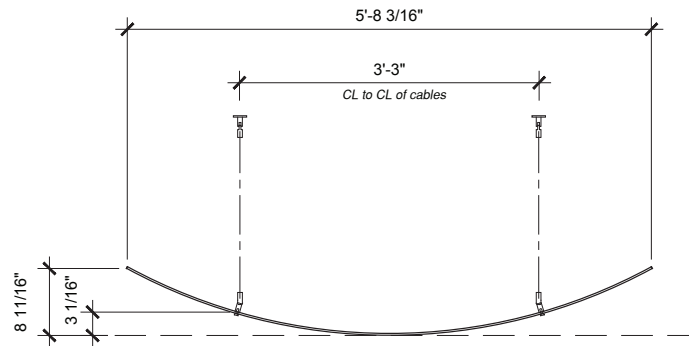
Plumb these marks up to the mounting surface or structure.



# Installation

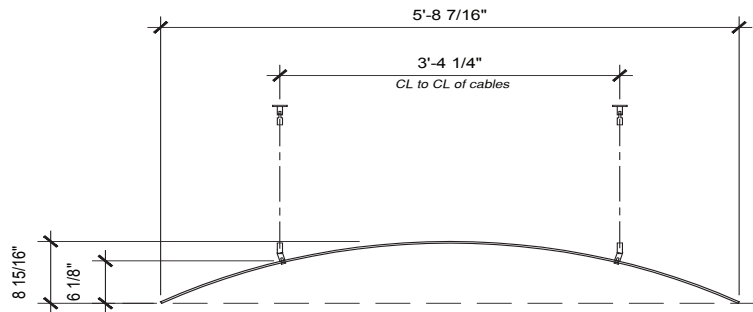
## Panel Dimensions

### Valley



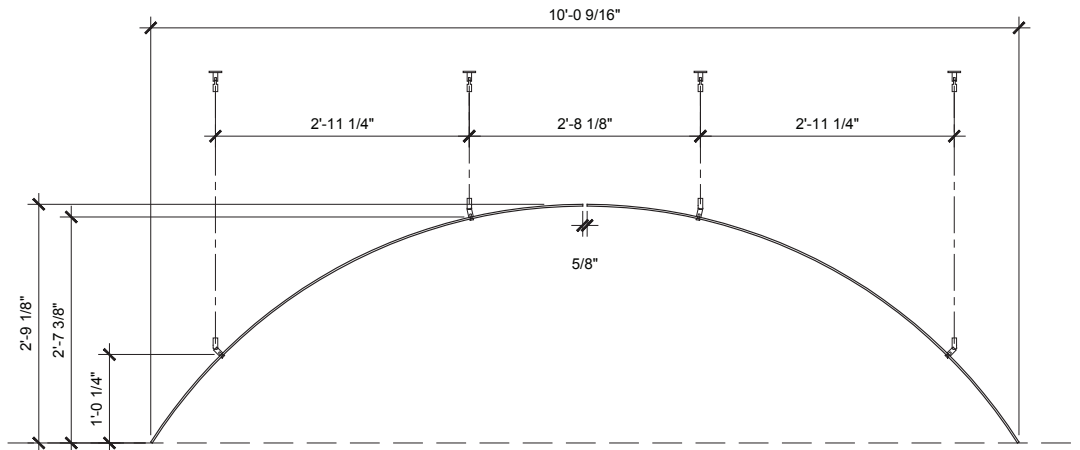
**Note:** Cables cut dimension allows for additional length of hardware. Center to center dimensions of the hanger wires take into consideration the articulation of the hardware.

### Vault



**Note:** Cables cut dimension allows for additional length of hardware. Center to center dimensions of the hanger wires take into consideration the articulation of the hardware.

### Barrel Vault

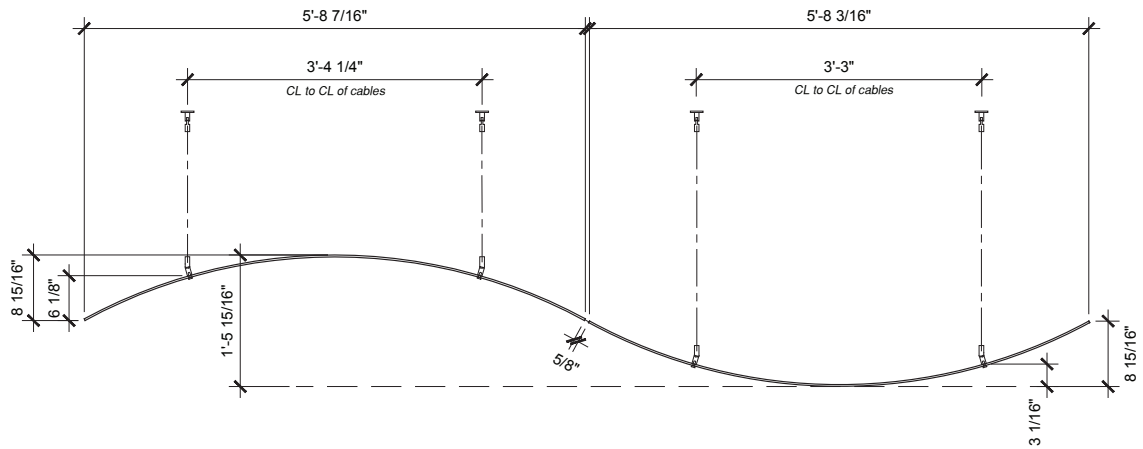


**Note:** Cables cut dimension allows for additional length of hardware. Center to center dimensions of the hanger wires take into consideration the articulation of the hardware.

# Installation

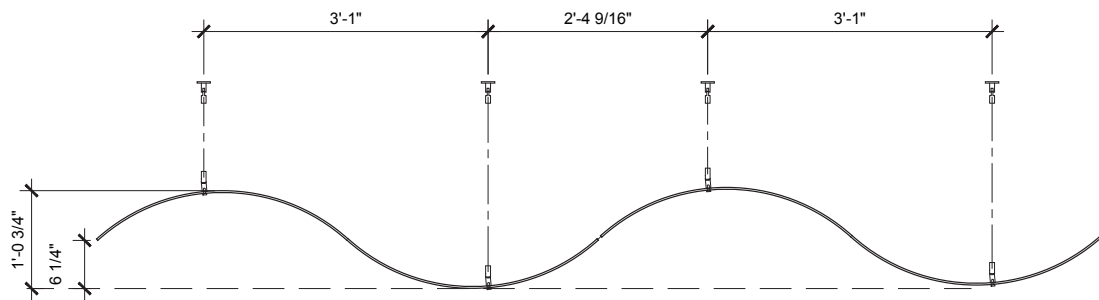
## Panel Dimensions

### Vault to Valley



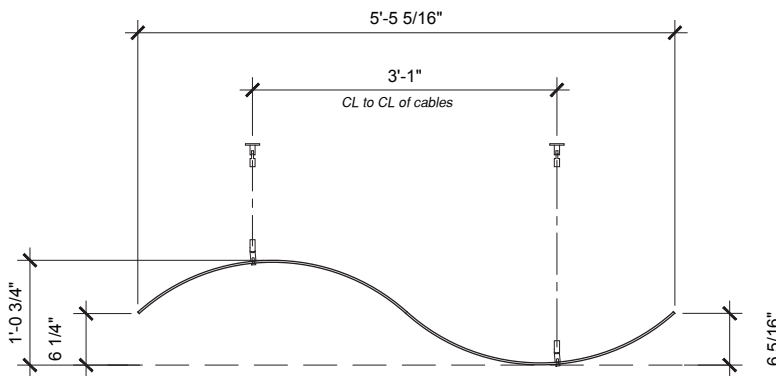
**Note:** Cables cut dimension allows for additional length of hardware. Center to center dimensions of the hanger wires take into consideration the articulation of the hardware.

### Wave to Wave



**Note:** Cables cut dimension allows for additional length of hardware. Center to center dimensions of the hanger wires take into consideration the articulation of the hardware.

### Wave



#### Prouct Literature

Data sheet: IC594

#### Notice

We shall not be liable for incidental and consequential damages, directly or indirectly sustained, nor for any loss caused by application of these goods not in accordance with current printed instructions or for other than the intended use. Our liability is expressly limited to replacement of defective goods. Any claim shall be deemed waived unless made in writing to us within thirty (30) days from date it was or reasonably should have been discovered.

#### Safety First!

Follow good safety/industrial hygiene practices during installation. Wear appropriate personal protective equipment. Read MSDS and literature before specification and installation.



Manufactured by  
USG Interiors, LLC  
550 West Adams Street  
Chicago, IL 60661

usg.com  
seismicceilings.com  
sustainableceilings.com  
usgdesignstudio.com

The following are trademarks of  
USG Interiors, LLC, or a related  
company: TRANSLUCENTS, USG, USG  
in stylized letters.

IC564/11-17  
© 2017, USG Interiors, LLC  
Printed in U.S.A.