

USG
Ceiling
Solutions

**USG TRUE®
WOOD GRILLE**

usg.com

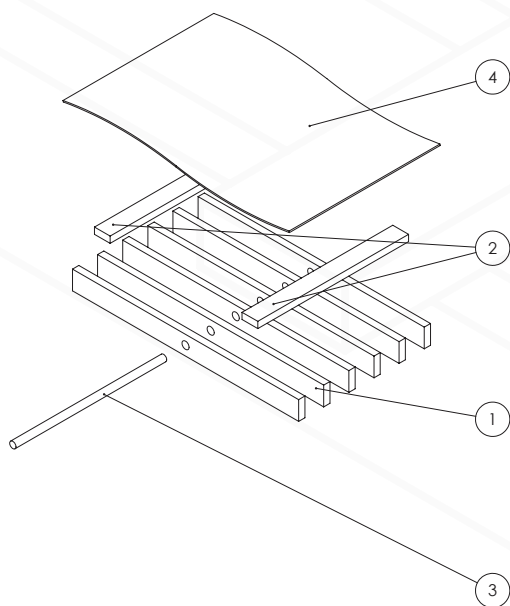


IT'S YOUR WORLD. BUILD IT.™

USG True® Wood Modular Grilles shown in Maple Species

STANDARD USG TRUE® WOOD GRILLES

This document is designed to guide you through the USG True® Wood Grille family of products, which are offered with various mounting and installation configurations, providing both the designer and the installer with a number of options.



DEFINITIONS

Grille: Assembly of linear vertical components installed at specific distances from each other. Grilles shield the view of the plenum from one direction except from directly below. The spacing and depth of the components determine the amount of shielding desired.

Length: The longest dimension regardless of the grain direction.

Width: The shorter dimension regardless of the grain direction.

Depth: The total vertical height of a grille, including both the slat and batten measurements.

1. Slat: A narrow flat strip of wood.

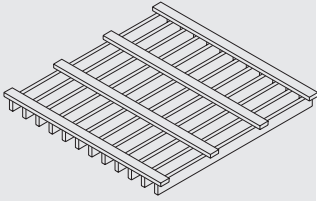
2. Batten: Plywood backer used to hold slats together.

3. Dowel: A cylindrical piece of wood used to hold slats together.

4. Felt Backer (optional): Polyester felt backer used to block the view of the plenum (job site installation or pre-installed at the factory).

USG TRUE® WOOD LAY-IN GRILLES

VERTICAL SLAT ORIENTATION



USG True® Wood Lay-in Grilles offer universal installation and design flexibility as they can be installed in multiple orientations. Panels are designed to lay into USG Donn® Brand grid systems, offering both aesthetic appeal and easy access to mechanicals above. In the vertical orientation, often the slats can be used to shield the plenum.

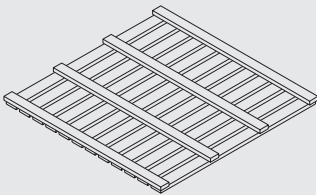
Designed for 9/16" Intermediate Duty Grid Systems

Type	Product Size (nominal)	Width	Length	Slat Width	Slat Height	Slats per Panel	Slat Orientation
Lay-in Grille	24" x 24" x 2"	24"	24"	1/2"	1-1/2"	12	Vertical
Lay-in Grille	24" x 48" x 2"	24"	48"	1/2"	1-1/2"	12	Vertical

Designed for 15/16" Intermediate Duty Grid Systems

Type	Product Size (nominal)	Width	Length	Slat Width	Slat Height	Slats per Panel	Slat Orientation
Lay-in Grille	24" x 24" x 2"	24"	24"	1/2"	1-1/2"	12	Vertical
Lay-in Grille	24" x 48" x 2"	24"	48"	1/2"	1-1/2"	12	Vertical

HORIZONTAL SLAT ORIENTATION



USG True® Wood Lay-in Grilles in the horizontal orientation offer simple installation and shield view of the plenum from below. Panels are designed with battens that easily install on USG Donn® Brand grid systems, offering both aesthetic appeal and acoustical performance.

Designed for 9/16" Intermediate Duty Grid Systems

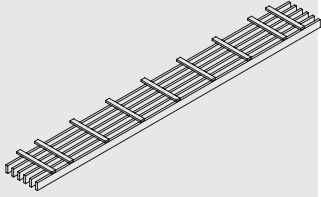
Type	Product Size (nominal)	Width	Length	Slat Width	Slat Height	Slats per Panel	Slat Orientation
Lay-in Grille	24" x 24" x 1"	24"	24"	1-1/2"	1/2"	12	Horizontal
Lay-in Grille	24" x 48" x 1"	24"	48"	1-1/2"	1/2"	12	Horizontal

Designed for 15/16" Intermediate Duty Grid Systems

Type	Product Size (nominal)	Width	Length	Slat Width	Slat Height	Slats per Panel	Slat Orientation
Lay-in Grille	24" x 24" x 1"	24"	24"	1-1/2"	1/2"	10	Horizontal
Lay-in Grille	24" x 48" x 1"	24"	48"	1-1/2"	1/2"	10	Horizontal

USG TRUE® WOOD MODULAR GRILLES

VERTICAL SLAT WITH BATTEN ONLY

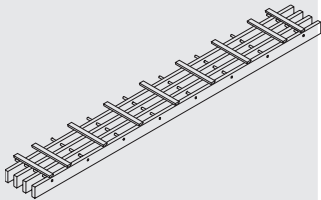


USG True® Wood Modular Grilles offer a simple installation and high aesthetic appeal. Panels can be easily installed on USG Donn® Brand grid systems with either a wood screw or square clip, providing easy access to the plenum. The vertical orientation of the slats shields the plenum from sight. Optional felt backer can be factory-installed.

Designed for 15/16" Heavy Duty Grid Systems

Type	Product Size (nominal)	Width	Length	Slat Height	Slat Width	Slats per Panel	Slat Orientation	Mounting
Modular Grille	12" x 96" x 1-7/8"	12"	96"	1-3/8"	5/8"	6	Vertical	Batten
Modular Grille	12" x 96" x 1-7/8"	12"	96"	1-3/8"	5/8"	8	Vertical	Batten
Modular Grille	12" x 96" x 2-3/4"	12"	96"	2-1/4"	5/8"	6	Vertical	Batten
Modular Grille	12" x 96" x 2-3/4"	12"	96"	2-1/4"	5/8"	8	Vertical	Batten

VERTICAL SLAT WITH BATTEN AND DOWEL



Designed for 15/16" Heavy Duty Grid Systems

Type	Product Size (nominal)	Width	Length	Slat Height	Slat Width	Slats per Panel	Slat Orientation	Mounting
Modular Grille	12" x 96" x 3-3/4"	12"	96"	3-1/4"	5/8"	6	Vertical	Batten & Dowel
Modular Grille	12" x 96" x 2-3/4"	12"	96"	2-1/4"	1"	4	Vertical	Batten & Dowel
Modular Grille	12" x 96" x 3-3/4"	12"	96"	3-1/4"	1"	4	Vertical	Batten & Dowel
Modular Grille	12" x 96" x 4-3/4"	12"	96"	4-1/4"	1"	4	Vertical	Batten & Dowel
Modular Grille	12" x 96" x 3-3/4"	12"	96"	3-1/4"	1-1/4"	3	Vertical	Batten & Dowel
Modular Grille	12" x 96" x 4-3/4"	12"	96"	4-1/4"	1-1/4"	3	Vertical	Batten & Dowel
Modular Grille	12" x 96" x 5-3/4"	12"	96"	5-1/4"	1-1/4"	3	Vertical	Batten & Dowel

COLOR OPTIONS



Dark Cherry
3468



Light Cherry
3469



Maple
3470



Red Oak
3471



Walnut
3472

ACCESSORIES

Name	Description	Part Number	Unit of Measure	Qty
Batten Modular	Plywood Batten, stained black (11-7/8" Length, 1-1/4" Width)	749620	Carton	50
Batten (Middle) Lay-in	Plywood Batten, stained black (23-3/4" Length, 1-1/4" Width)	749621	Carton	50
Batten (End) Lay-in	Plywood Batten, stained black (23-3/4" Length, 3" Width)	749622	Carton	50
Perimeter Bracket	Secure Wood Trim to Ceiling Assembly	749623	Carton	50
180° Splice Plate	Splice Lengths of Wood Trim Together	749624	Carton	50
90° Splice Plate	Splice Corners of Wood Trim Together	749625	Carton	50
Lay-in Sample	Submittal Sample for Lay-in Grille	600648	Each	1
Modular Sample	Submittal Sample for Modular Grille	600649	Each	1
Felt Backer	Polyester Felt Backer, 1 mm thick, 12" width x 300 feet	749626	Roll	1
Felt Backer	Polyester Felt Backer, 1 mm thick, 24" width x 300 feet	749627	Roll	1
Dowel	1/2" Diameter x 11-7/8" Long; stained black	749628	Carton	50
Mounting Clip	Square Clip Used to Secure Battens to Grid	749629	Carton	50
PFB	Panel Fixing Bracket	746602	Carton	50

ACOUSTICAL OPTIONS

Balanced Acoustics	Type	Size	NRC	CAC
Good	22310_USG Radar™ High-NRC Panels - SQ	24"x24"x5/8"	0.55	40
Better	22421_USG Radar™ High-NRC Panels - SQ	24"x24"x7/8"	0.70	35
Best	88134_USG Mars™ High-NRC Panels 85/35 - SQ	24"x24"x7/8"	0.85	35

All sound testing is conducted at the USG Corporate Innovation Center Acoustical Test Facility, which is accredited under the National Voluntary Laboratory Accreditation Program (NVLAP Lab Code: 200132-0). Testing of acoustical materials is conducted under the UL Client Test Program.

High Recycled Content

Classified as containing greater than 50% total recycled content. Total recycled content is based on product composition of postconsumer and preconsumer (postindustrial) recycled content per FTC guidelines.



FOOTNOTES

Product Literature:

Data sheet: IC715
Sales brochure: IC716

Finishes sheet: IC559
Installation Instructions: IC717

Online Tools

usgdesignstudio.com or
cgcdesignstudio.com

Credits:

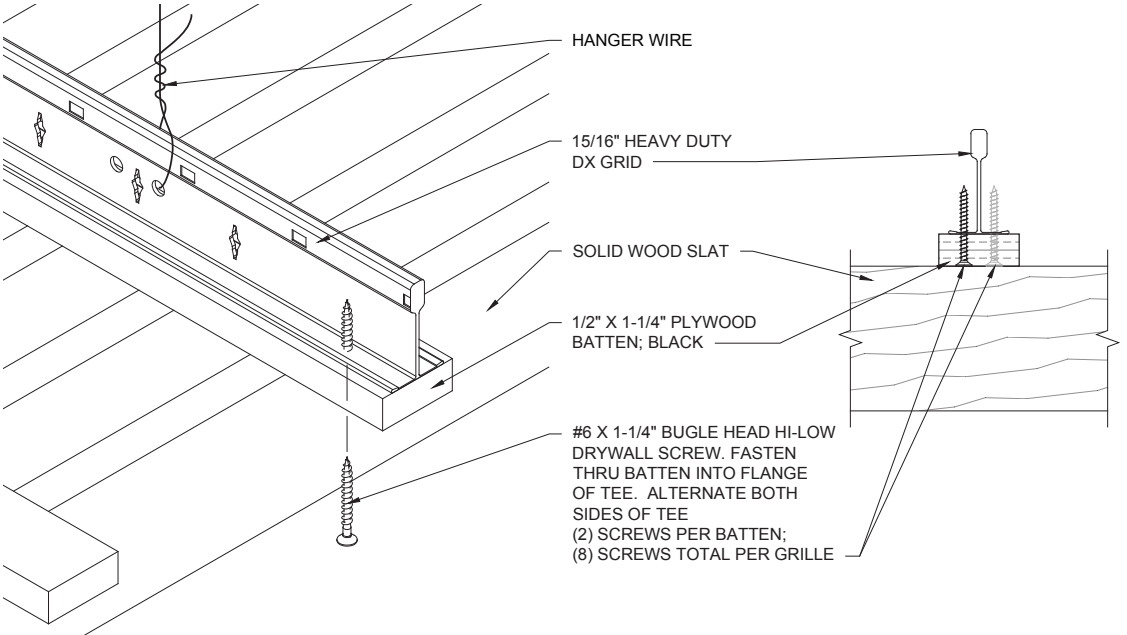
USG True® Wood Grilles qualify for the following LEED:
— 7.0 Certified Wood, 4.1 & 4.2
Low-Emitting Materials:
Adhesives and Sealants Paints & Coatings.

Notes

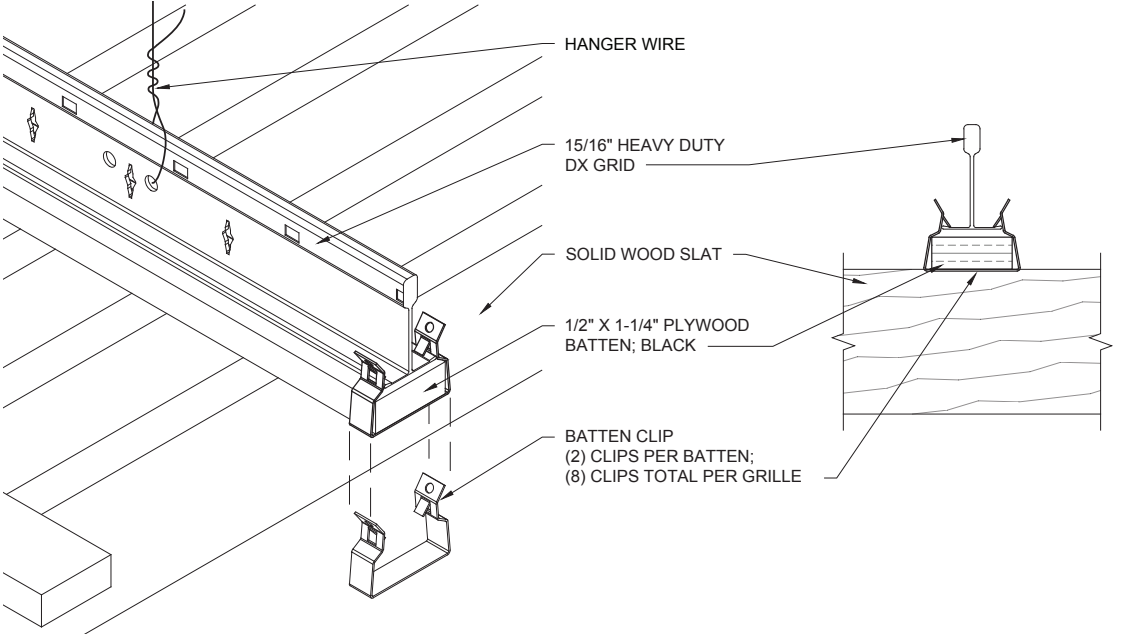
- Building environmental conditions should be maintained in accordance with ASHRAE Standard 62.1.2013.
- Refer to *CICSA Wood Ceilings Technical Guidelines* for best practices on installed wood ceilings.
- **Color Disclaimer:** Printed and/or online color swatches are only reproductions of actual standards and will vary in appearance due to differences in monitor and printer output.
- **Wood Disclaimer:** Wood is a natural grain product with variations in grain, texture and color often ranging from light to dark, thereby affecting the surface look. Product finishes are spray-applied stain or sealer coats.
- These representations should not be used to finalize color selection(s).

INSTALLATION STRATEGIES

Modular Grilles installed with wood screws



Modular Grilles installed with metal mounting clips



PRODUCT INFORMATION

For the most up-to-date technical information, visit usgdesignstudio.com or cgcdesignstudio.com

CUSTOMER SERVICE

USG: 800 950-3839
CGC: 800 387-2690

TECHNICAL SERVICE

800 USG.4YOU (874-4968)

WEBSITES

usg.com
cgcinc.com
usgdesignstudio.com
cgcdesignstudio.com

SAMPLES/LITERATURE/FAX

USG: 866 528-7089
CGC: Contact Local Sales Rep

USG True® Wood Modular Grilles shown in Dark Cherry Species

IC716-USA-ENG/10-21

© 2021 USG Corporation and/or its affiliates. All rights reserved.
The trademarks USG, CGC, DONN, MARS, RADAR, TRUE, IT'S YOUR WORLD. BUILD IT., the USG/CGC logo, the design elements and colors, and related marks are trademarks of USG Corporation or its affiliates.

USG  **CGC**

IT'S YOUR WORLD. BUILD IT.™